



***Senergy***<sup>®</sup>

# Channeled Adhesive CI Design with MaxGrip Veneer Mortar

Continuously Insulated System  
with Adhered Veneer

Typical Details

A brand of  
**MASTER**<sup>®</sup>  
**» BUILDERS**  
SOLUTIONS

(THIS PAGE INTENTIONALLY LEFT BLANK)

# Channeled Adhesive CI Design with MaxGrip Veneer Mortar

## Typical Details

### Continuously Insulated System with Adhered Veneer

#### Table of Contents

- |   |   |
|---|---|
| 1. Typical Channeled Adhesive Profile             | 13. Typical Window Head (Flush) with Diverter Track |
| 2. Typical Application                            | 14. Typical Window Head with Sealant End Dam        |
| 3. Typical Outside Corner Application             | 15. Typical Window Jamb (Flush)                     |
| 4. Typical Pipe Penetration                       | 16. Typical Window Sill (Flush)                     |
| 5. Typical Vertical Expansion Joint               | 17. Typical Window Head (Recessed)                  |
| 6. Typical Expansion Joint at Change in Substrate | 18. Typical Window Jamb (Recessed)                  |
| 7. Typical Expansion Joint at Floorline           | 19. Typical Window Sill (Recessed)                  |
| 8. Typical Drainage at Floorline                  | 20. Typical Flanged Window Head                     |
| 9. Typical Termination at Foundation              | 21. Typical Flanged Window Jamb                     |
| 10. Typical Termination at Foundation (Flush)     | 22. Typical Flanged Window Sill                     |
| 11. Typical Window Head (Flush)                   | 23. Typical Coping                                  |
| 12. Typical Window Head (Flush) with Weeps        | 24. Typical Railing Attachment                      |

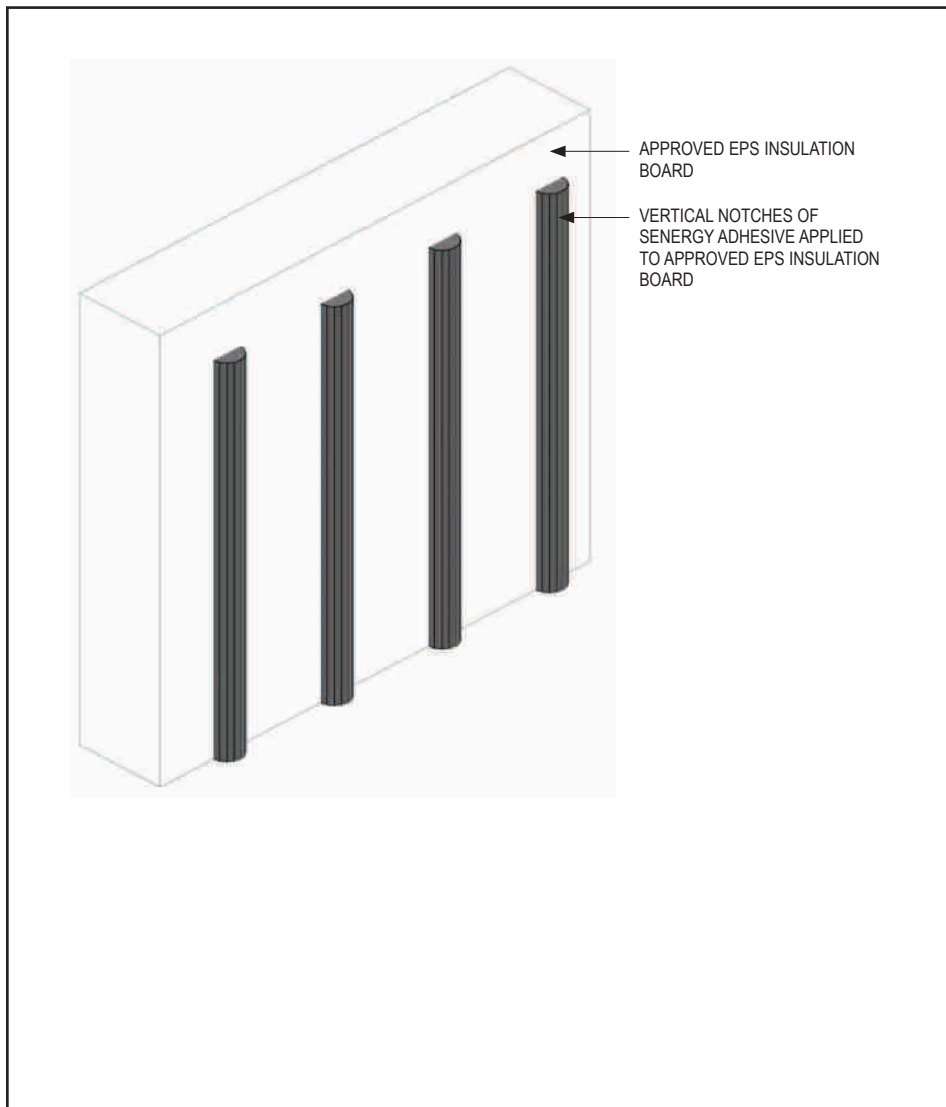
#### Notes:

- **Install Master Builders Solutions materials in accordance with current installation instructions.**
- **Unsatisfactory conditions shall be reported to the General Contractor and corrected before the application of Master Builders Solutions products.**
- **The details within represent Master Builders Solutions Construction Systems US, LLC (hereinafter Master Builders Solutions) latest recommendations. They are presented in good faith by Master Builders Solutions. The details are subject to change without notice. Master Builders Solutions accepts no liability for the end use of the details. For conditions not shown, consult Master Builders Solutions for review of specific detail.**

(THIS PAGE INTENTIONALLY LEFT BLANK)

## Channeled Adhesive CI Design with MaxGrip Veneer Mortar

### TYPICAL CHanneled Adhesive PROFILE



- Install Master Builders Solutions materials in accordance with current installation instructions.
- Apply mixed base coat to entire surface of insulation board using a stainless steel trowel with 1/2" x 1/2" (13 mm x 13 mm) notches spaced 2" (50 mm) apart. Ribbons of adhesive must be applied parallel to the 2' (610 mm) dimension of the EPS insulation board to ensure they are vertical when the EPS insulation board is applied to the substrate.
- Set EPS insulation board into place and apply pressure over entire surface of board to ensure positive uniform contact and high initial grab. Do not slide board into place.

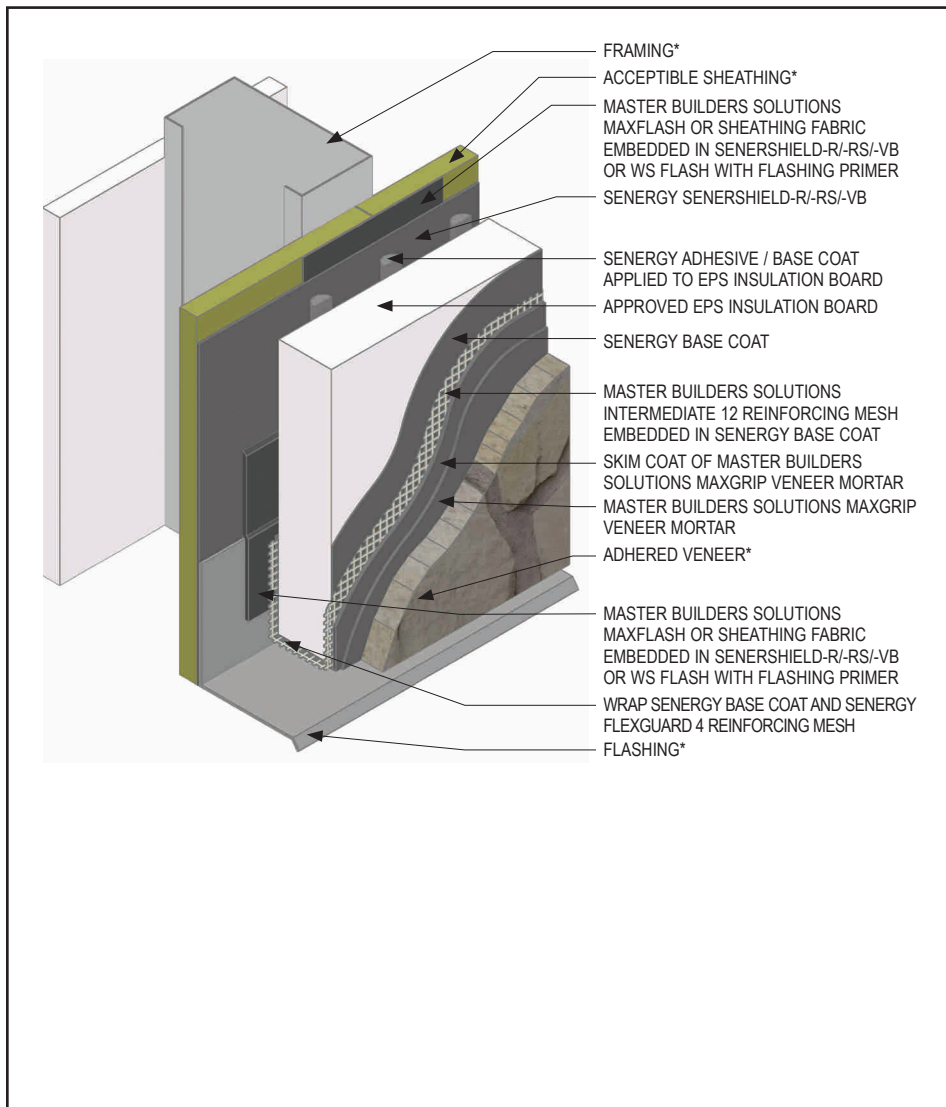
CAM-01 190904

(\*NOTE: BY OTHERS)

This detail represents Master Builders Solutions Construction Systems US, LLC (hereinafter Master Builders Solutions) latest recommendations. It is presented in good faith by Master Builders Solutions. The detail is subject to change without notice. Master Builders Solutions accepts no liability for the end use of the detail. For conditions not shown, consult Master Builders Solutions for review of specific detail.

## Channeled Adhesive CI Design with MaxGrip Veneer Mortar

### TYPICAL APPLICATION



- Install Master Builders Solutions materials in accordance with current installation instructions.
- All terminations must be fully encapsulated with mesh reinforced base coat.
- Ensure a means for drainage is provided at system terminations.
- Adhered veneer shall not exceed 15 lbs. (6.8 kg) per sq. ft.

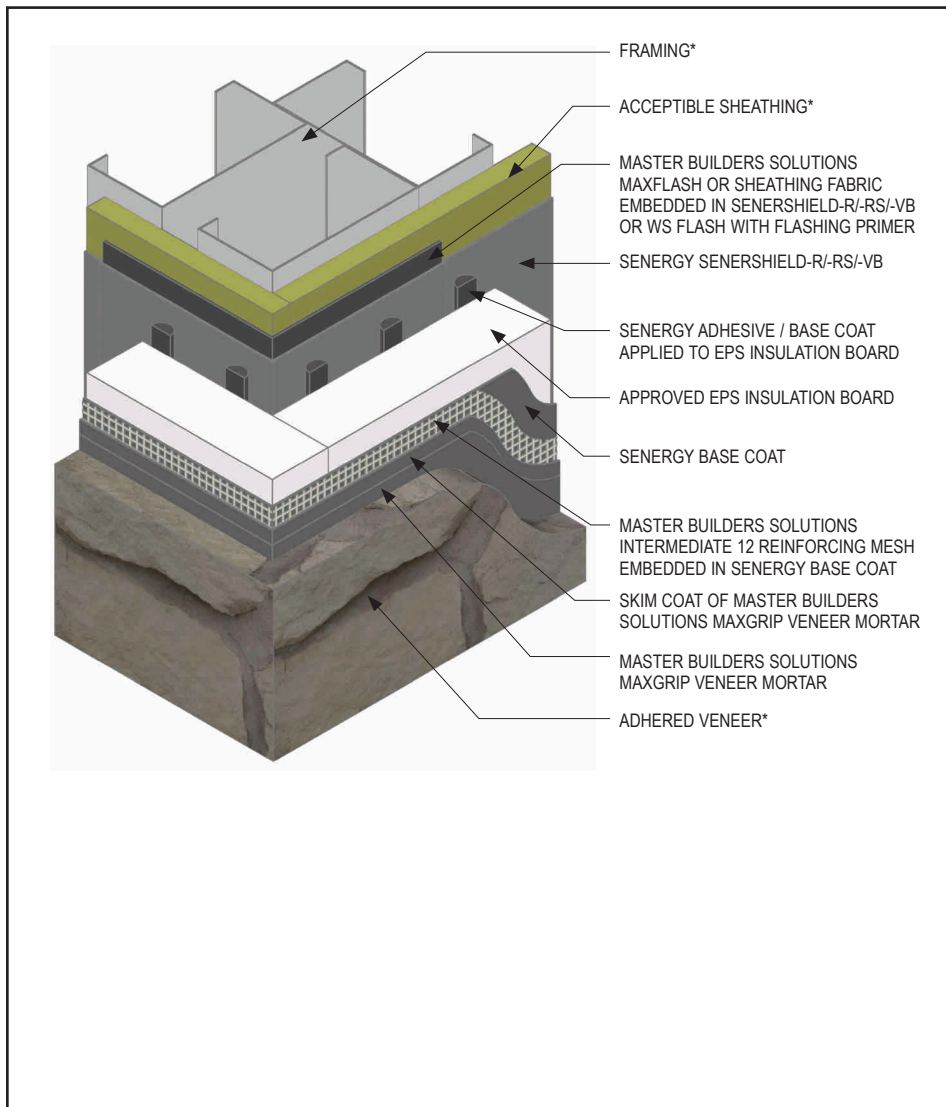
CAM-02 190904

(\*NOTE: BY OTHERS)

This detail represents Master Builders Solutions Construction Systems US, LLC (hereinafter Master Builders Solutions) latest recommendations. It is presented in good faith by Master Builders Solutions. The detail is subject to change without notice. Master Builders Solutions accepts no liability for the end use of the detail. For conditions not shown, consult Master Builders Solutions for review of specific detail.

## Channeled Adhesive CI Design with MaxGrip Veneer Mortar

### TYPICAL OUTSIDE CORNER APPLICATION



- Install Master Builders Solutions materials in accordance with current installation instructions.
- Master Builders Solutions Intermediate 12 reinforcing mesh is lapped a minimum of 8" (203 mm) around corners.

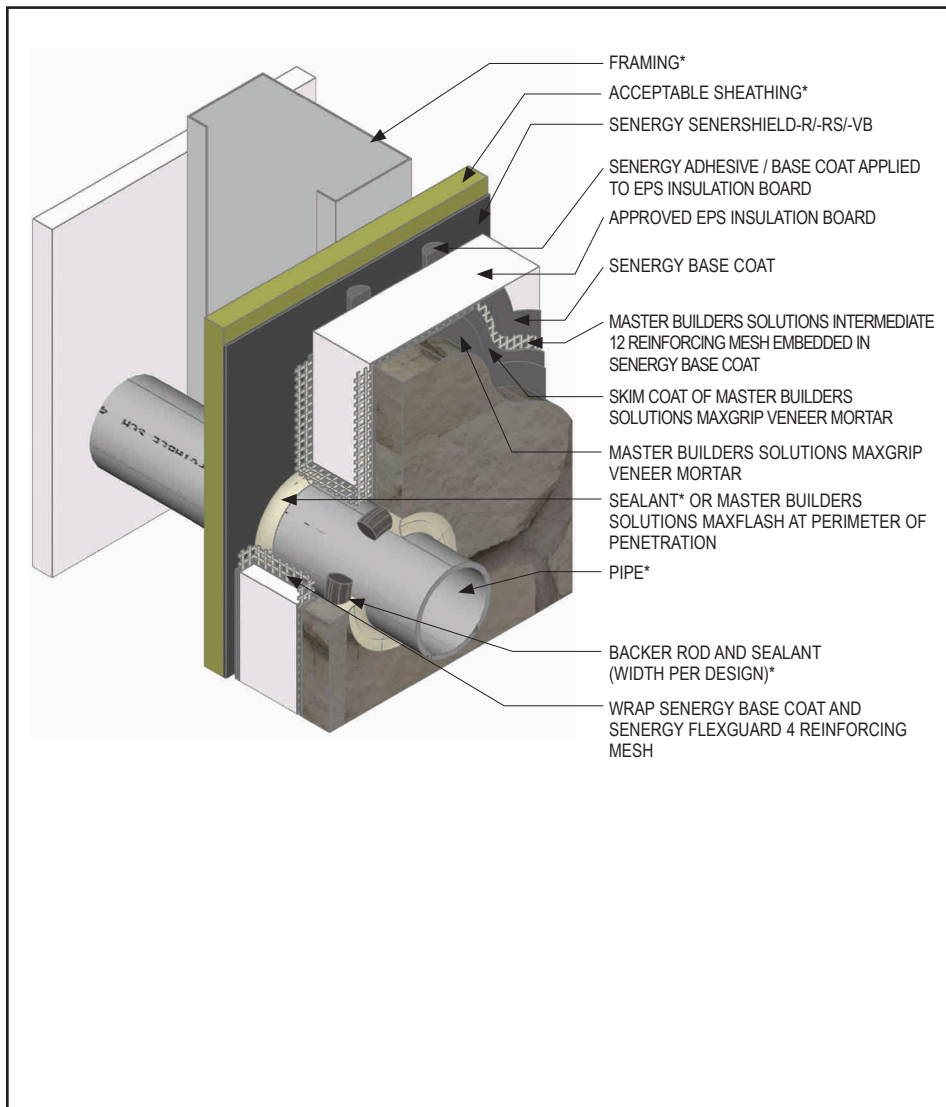
CAM-03 190904

(\*NOTE: BY OTHERS)

This detail represents Master Builders Solutions Construction Systems US, LLC (hereinafter Master Builders Solutions) latest recommendations. It is presented in good faith by Master Builders Solutions. The detail is subject to change without notice. Master Builders Solutions accepts no liability for the end use of the detail. For conditions not shown, consult Master Builders Solutions for review of specific detail.

## Channeled Adhesive CI Design with MaxGrip Veneer Mortar

### TYPICAL PIPE PENETRATION



- Install Master Builders Solutions materials in accordance with current installation instructions.
- All terminations must be fully encapsulated with mesh reinforced basecoat.
- Ensure all penetrations into the system are properly sealed.
- Provide continuous air seal around perimeter of penetration prior to EPS insulation board application.

CAM-04 190904

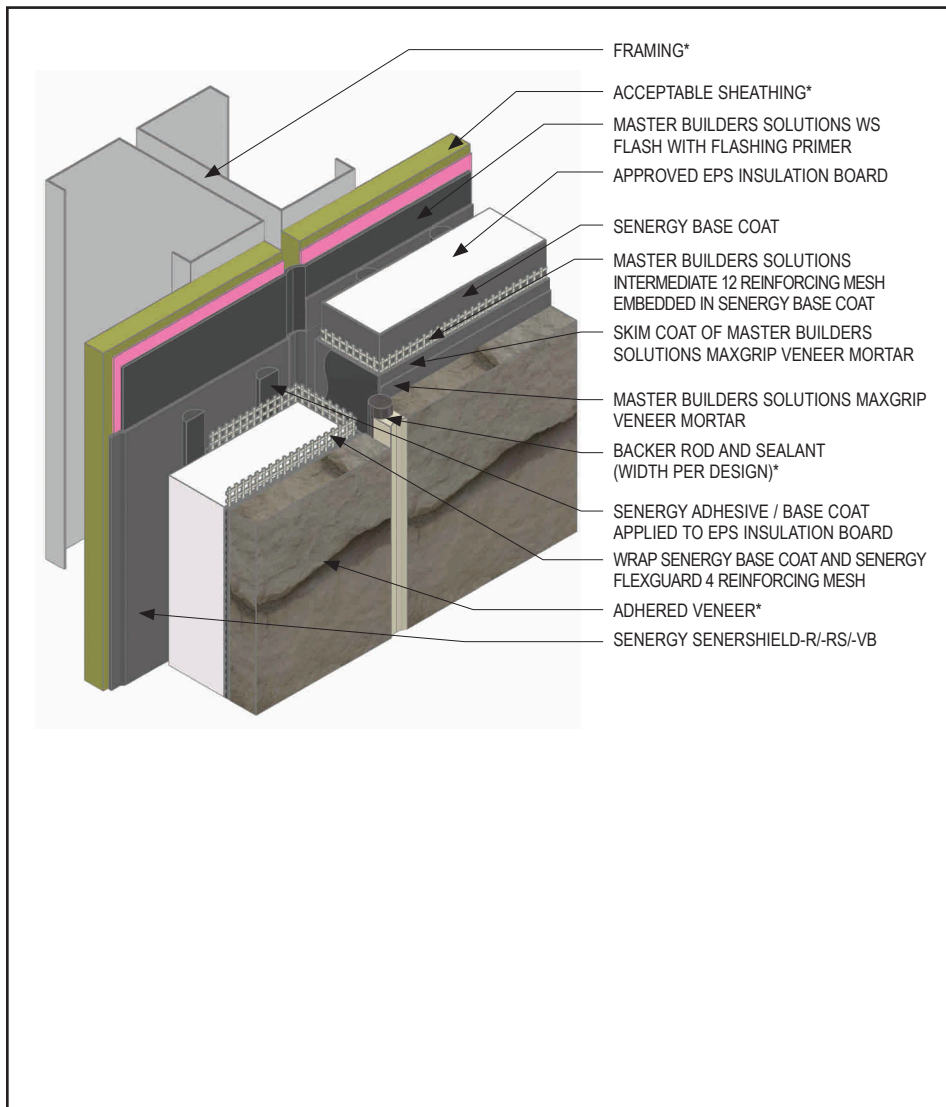
(\*NOTE: BY OTHERS)

This detail represents Master Builders Solutions Construction Systems US, LLC (hereinafter Master Builders Solutions) latest recommendations. It is presented in good faith by Master Builders Solutions. The detail is subject to change without notice. Master Builders Solutions accepts no liability for the end use of the detail. For conditions not shown, consult Master Builders Solutions for review of specific detail.



## Channeled Adhesive CI Design with MaxGrip Veneer Mortar

### TYPICAL VERTICAL EXPANSION JOINT



- Install Master Builders Solutions materials in accordance with current installation instructions.
- All terminations must be fully encapsulated with mesh reinforced base coat.
- Install expansion joints in the system at all changes in substrate, terminations at dissimilar materials, through existing expansion joints, floor lines in multi-level wood frame construction, at slip track in steel framed construction and where movement is anticipated. It is the sole responsibility of the design professional to determine specific expansion joint location, placement and design.
- Ensure drainage plane is continuous and unobstructed at expansion joint.

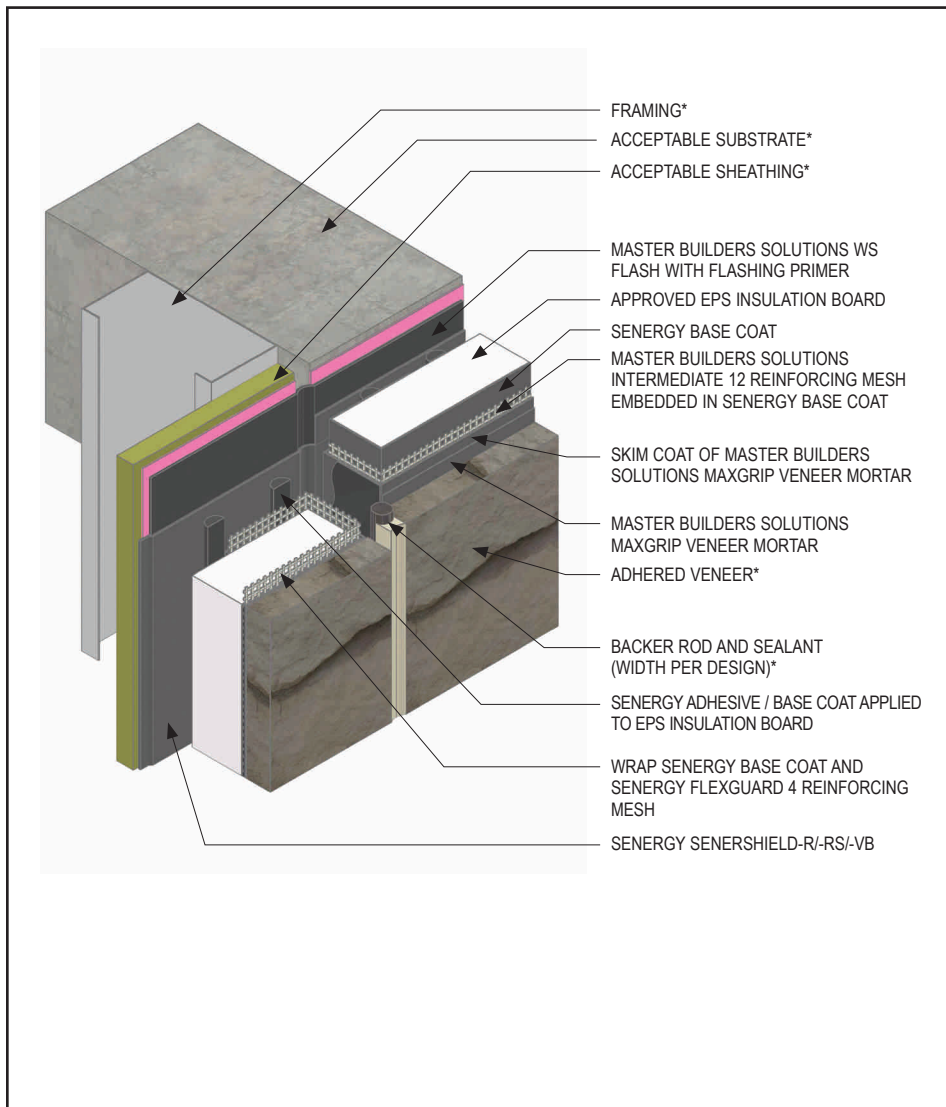
CAM-05 190904

(\*NOTE: BY OTHERS)

This detail represents Master Builders Solutions Construction Systems US, LLC (hereinafter Master Builders Solutions) latest recommendations. It is presented in good faith by Master Builders Solutions. The detail is subject to change without notice. Master Builders Solutions accepts no liability for the end use of the detail. For conditions not shown, consult Master Builders Solutions for review of specific detail.

## Channeled Adhesive CI Design with MaxGrip Veneer Mortar

### TYPICAL EXPANSION JOINT AT CHANGE IN SUBSTRATE



- Install Master Builders Solutions materials in accordance with current installation instructions.
- All terminations must be fully encapsulated with mesh reinforced base coat.
- Ensure drainage plane is continuous and unobstructed at expansion joint.
- Install expansion joints in the system at all changes in substrate, terminations at dissimilar materials, through existing expansion joints, floor lines in multi-level wood frame construction, at slip track in steel framed construction and where movement is anticipated. It is the sole responsibility of the design professional to determine specific expansion joint location, placement and design.

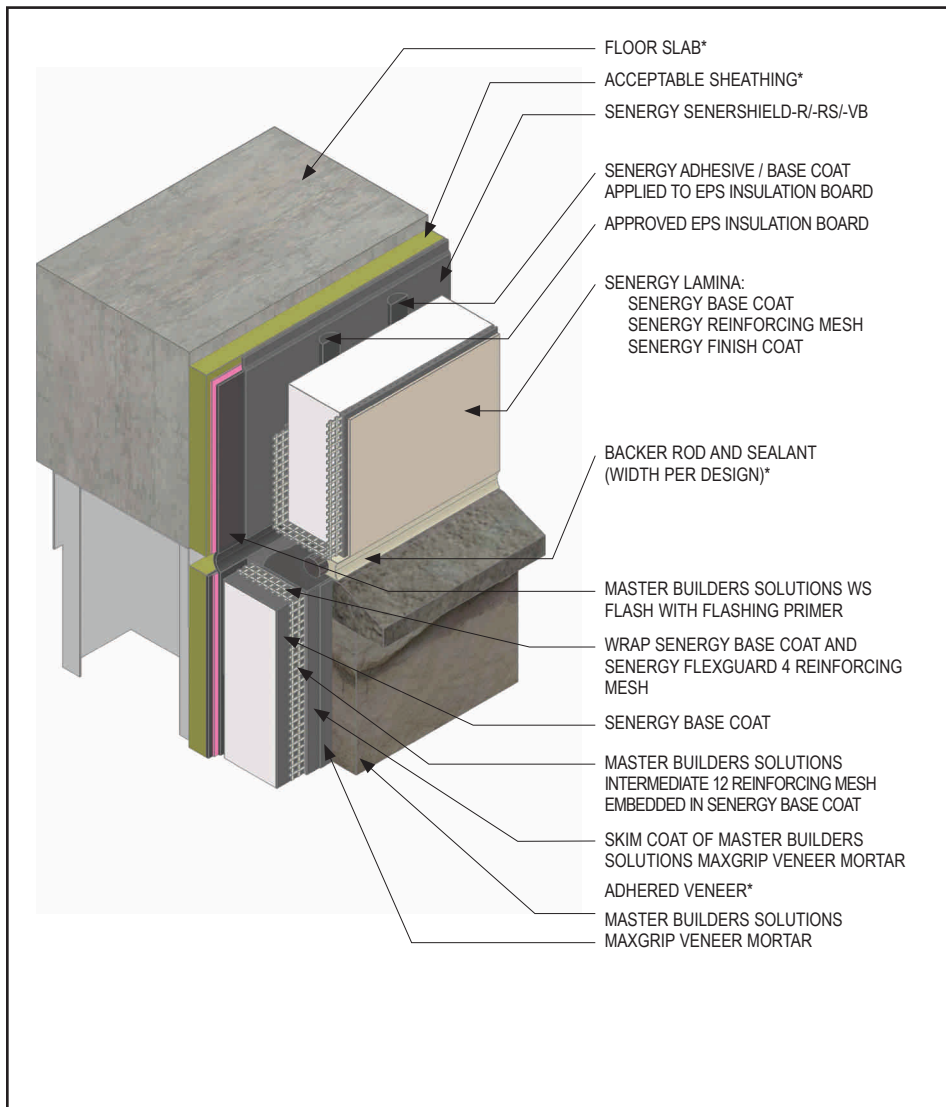
CAM-06 190904

(\*NOTE: BY OTHERS)

This detail represents Master Builders Solutions Construction Systems US, LLC (hereinafter Master Builders Solutions) latest recommendations. It is presented in good faith by Master Builders Solutions. The detail is subject to change without notice. Master Builders Solutions accepts no liability for the end use of the detail. For conditions not shown, consult Master Builders Solutions for review of specific detail.

## Channeled Adhesive CI Design with MaxGrip Veneer Mortar

### TYPICAL EXPANSION JOINT AT FLOORLINE



- Install Master Builders Solutions materials in accordance with current installation instructions.
- All terminations must be fully encapsulated with mesh reinforced base coat.
- Install expansion joints in the system at all changes in substrate, terminations at dissimilar materials, through existing expansion joints, floor lines in multi-level wood frame construction, at slip track in steel framed construction and where movement is anticipated. It is the sole responsibility of the design professional to determine specific expansion joint location, placement and design.
- It is recommended that a means for drainage is provided at every third floor. (See TYPICAL DRAINAGE AT FLOORLINE detail).
- Do not apply finish to areas that will receive sealant.

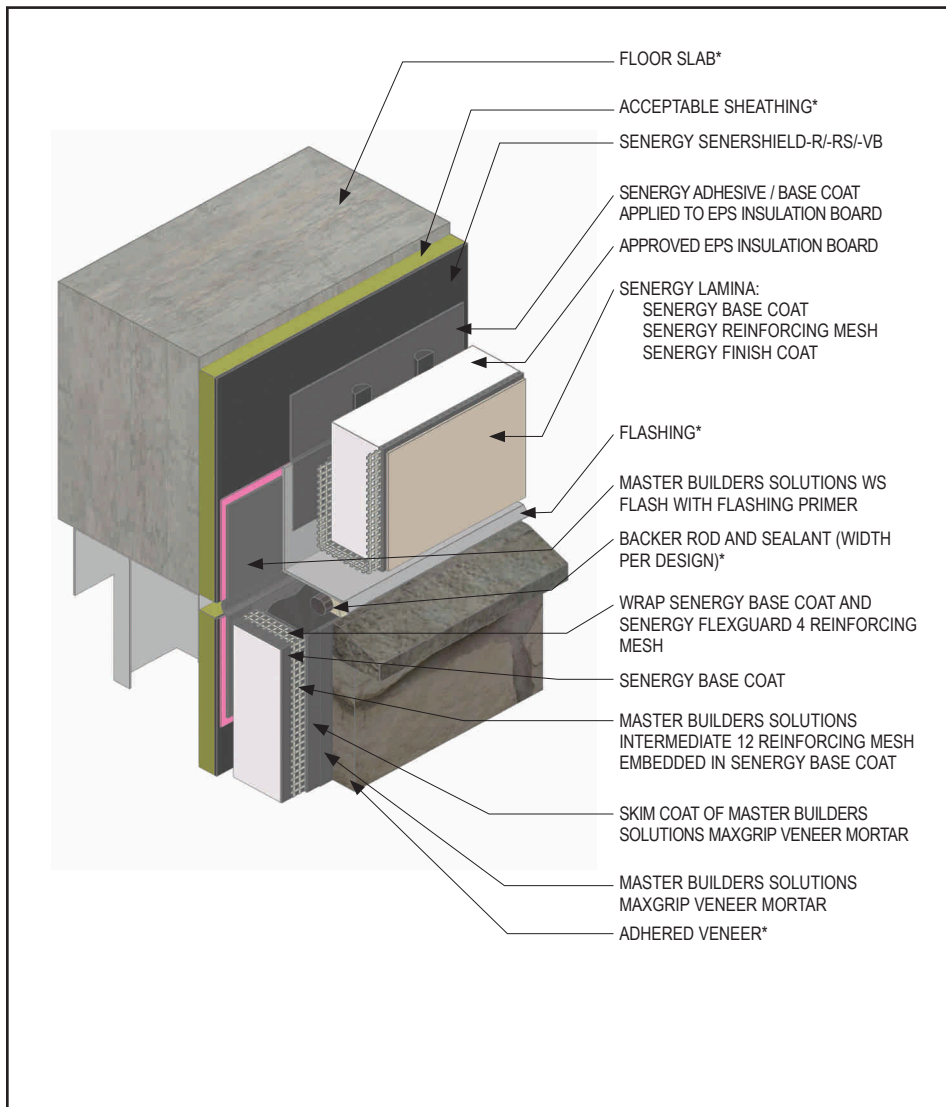
CAM-07 190904

(\*NOTE: BY OTHERS)

This detail represents Master Builders Solutions Construction Systems US, LLC (hereinafter Master Builders Solutions) latest recommendations. It is presented in good faith by Master Builders Solutions. The detail is subject to change without notice. Master Builders Solutions accepts no liability for the end use of the detail. For conditions not shown, consult Master Builders Solutions for review of specific detail.

## Channeled Adhesive CI Design with MaxGrip Veneer Mortar

### TYPICAL DRAINAGE AT FLOORLINE



- Install Master Builders Solutions materials in accordance with current installation instructions.
- All terminations must be fully encapsulated with mesh reinforced base coat.
- Do not apply finish to areas that will receive sealant.
- Install expansion joints in the system at all changes in substrate, terminations at dissimilar materials, through existing expansion joints, floor lines in multi-level wood frame construction, at slip track in steel framed construction and where movement is anticipated. It is the sole responsibility of the design professional to determine specific expansion joint location, placement and design.
- It is recommended that a means for drainage is provided at every third floor.

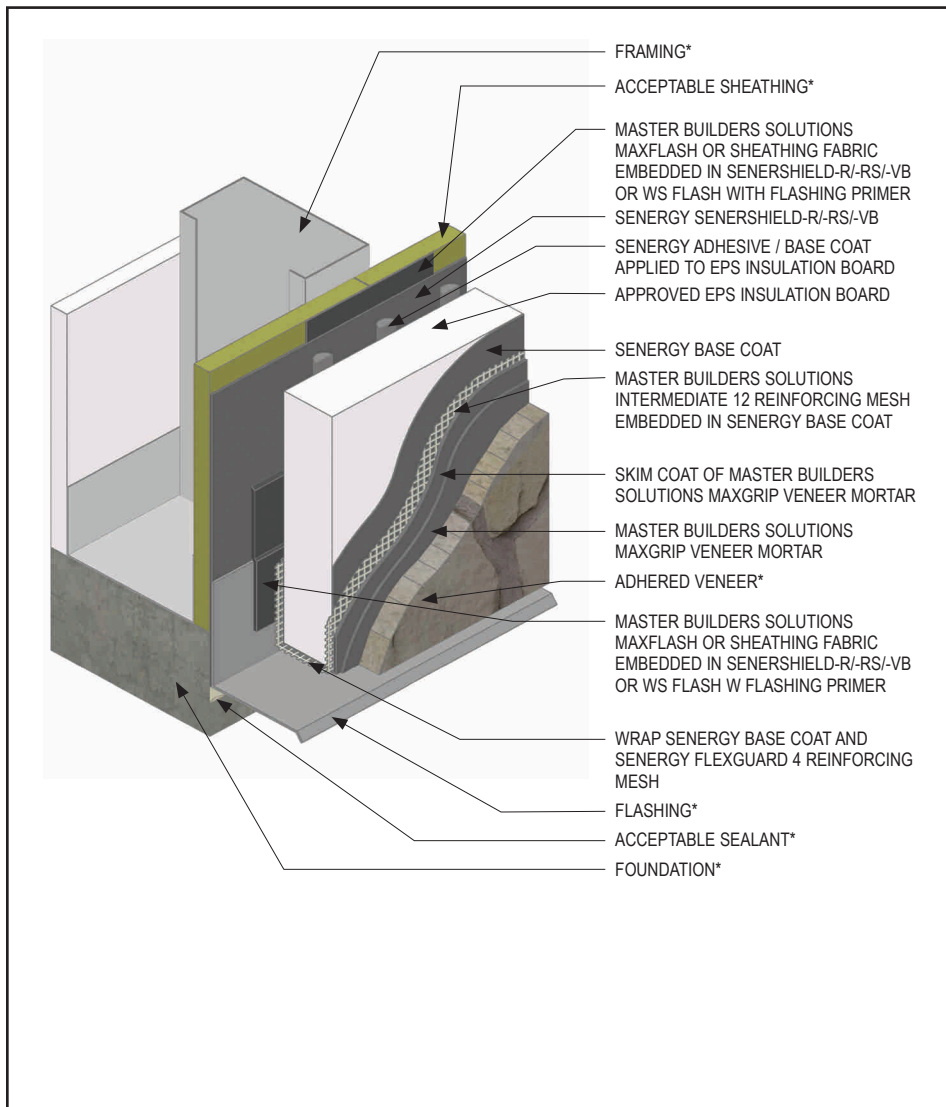
CAM-08 190904

(\*NOTE: BY OTHERS)

This detail represents Master Builders Solutions Construction Systems US, LLC (hereinafter Master Builders Solutions) latest recommendations. It is presented in good faith by Master Builders Solutions. The detail is subject to change without notice. Master Builders Solutions accepts no liability for the end use of the detail. For conditions not shown, consult Master Builders Solutions for review of specific detail.

## Channeled Adhesive CI Design with MaxGrip Veneer Mortar

### TYPICAL TERMINATION AT FOUNDATION



- Install Master Builders Solutions materials in accordance with current installation instructions.
- All terminations must be fully encapsulated with mesh reinforced base coat.
- Ensure a means for drainage is provided at system termination at foundation.
- Terminate system a minimum of 8" (203 mm) above grade.
- Extend system a minimum of 2" (50 mm) and a maximum of 12" (305 mm) at the sole plate foundation transition.

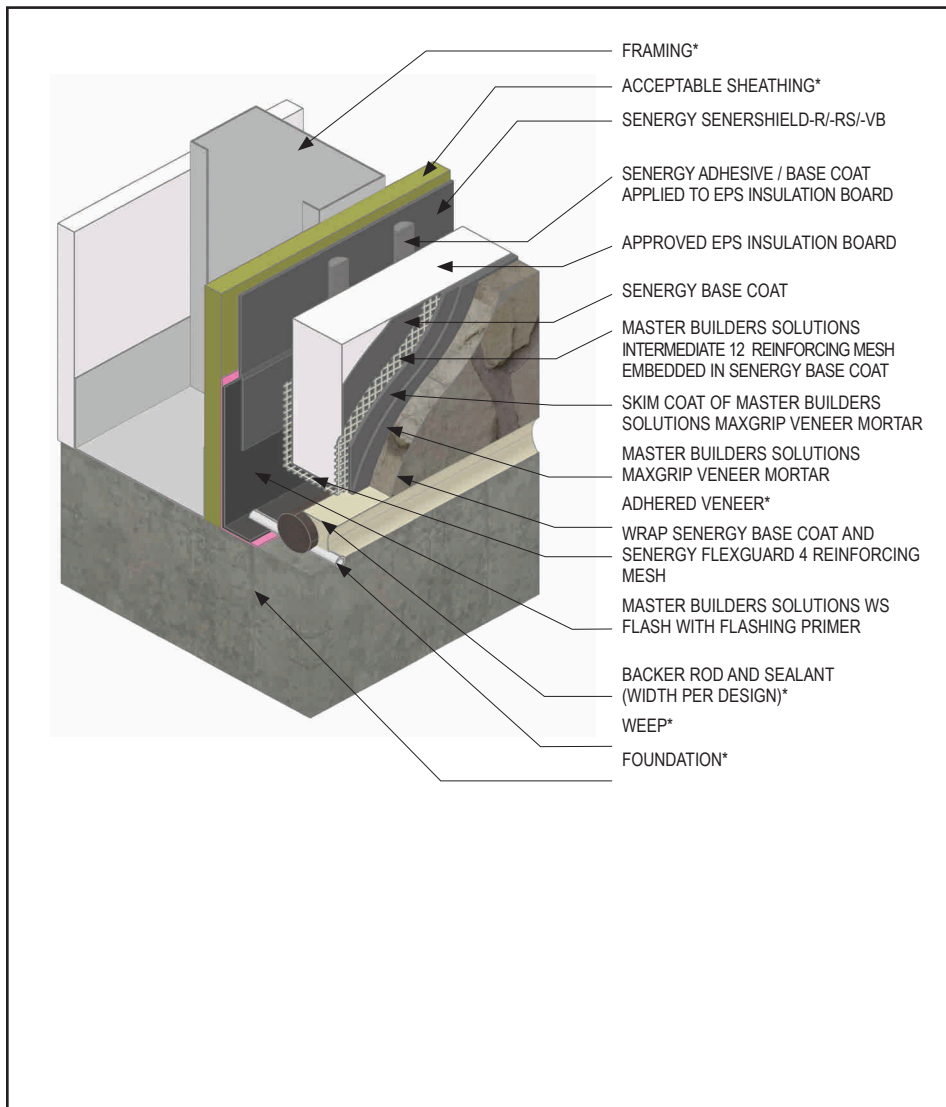
CAM-09 190904

(\*NOTE: BY OTHERS)

This detail represents Master Builders Solutions Construction Systems US, LLC (hereinafter Master Builders Solutions) latest recommendations. It is presented in good faith by Master Builders Solutions. The detail is subject to change without notice. Master Builders Solutions accepts no liability for the end use of the detail. For conditions not shown, consult Master Builders Solutions for review of specific detail.

## Channeled Adhesive CI Design with MaxGrip Veneer Mortar

### TYPICAL TERMINATION AT FOUNDATION (FLUSH)



- Install Master Builders Solutions materials in accordance with current installation instructions.
- All terminations must be fully encapsulated with mesh reinforced base coat.
- Ensure a means for drainage is provided at system termination at foundation.
- Place weeps a minimum of 24" (610 mm) on center.

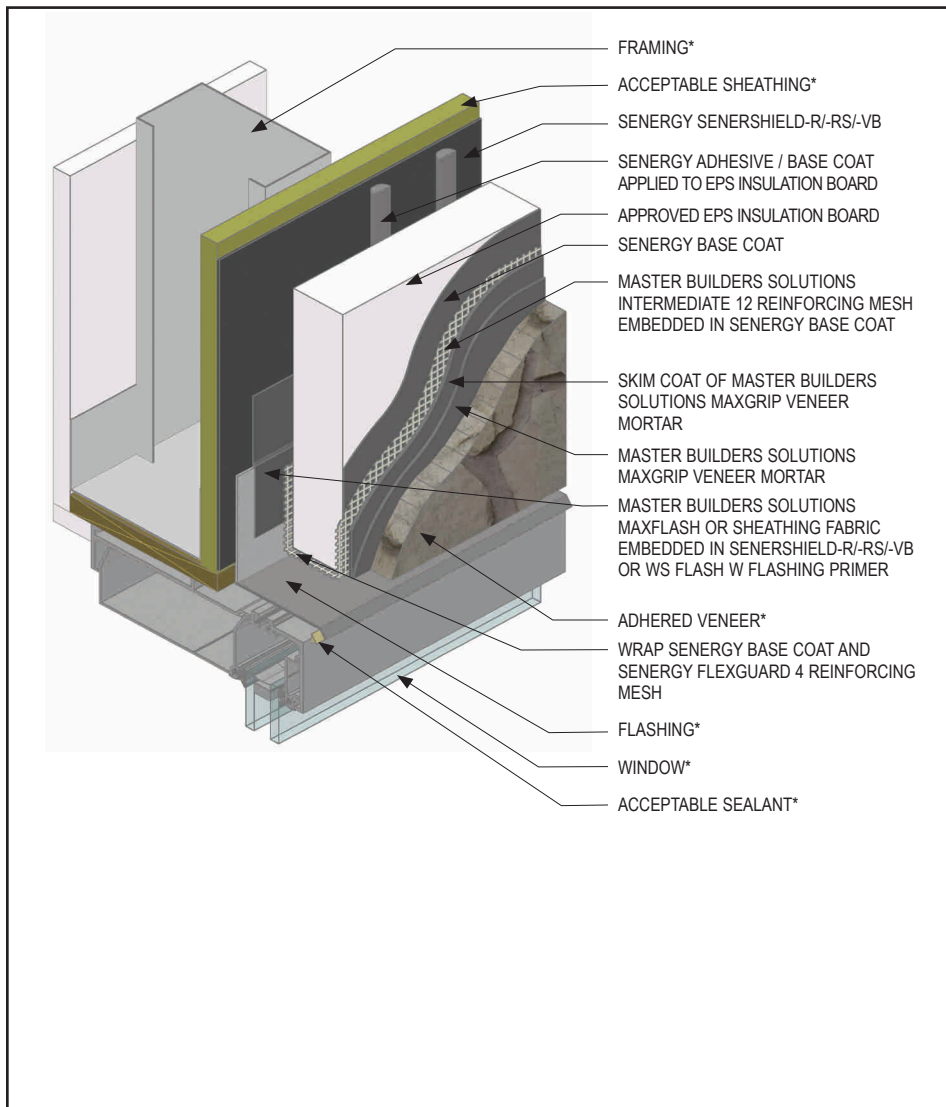
CAM-10 190904

(\*NOTE: BY OTHERS)

This detail represents Master Builders Solutions Construction Systems US, LLC (hereinafter Master Builders Solutions) latest recommendations. It is presented in good faith by Master Builders Solutions. The detail is subject to change without notice. Master Builders Solutions accepts no liability for the end use of the detail. For conditions not shown, consult Master Builders Solutions for review of specific detail.

## Channeled Adhesive CI Design with MaxGrip Veneer Mortar

### TYPICAL WINDOW HEAD (FLUSH)



- Install Master Builders Solutions materials in accordance with current installation instructions.
- All terminations must be fully encapsulated with mesh reinforced base coat.
- Ensure a means for drainage is provided at system terminations at all window, door and PTAC unit heads.
- Provide end-dams at flashing terminations.
- Ensure Senergy air/water-resistive barrier is properly applied into the rough openings in accordance with application guidelines and code requirements prior to EPS insulation board application.

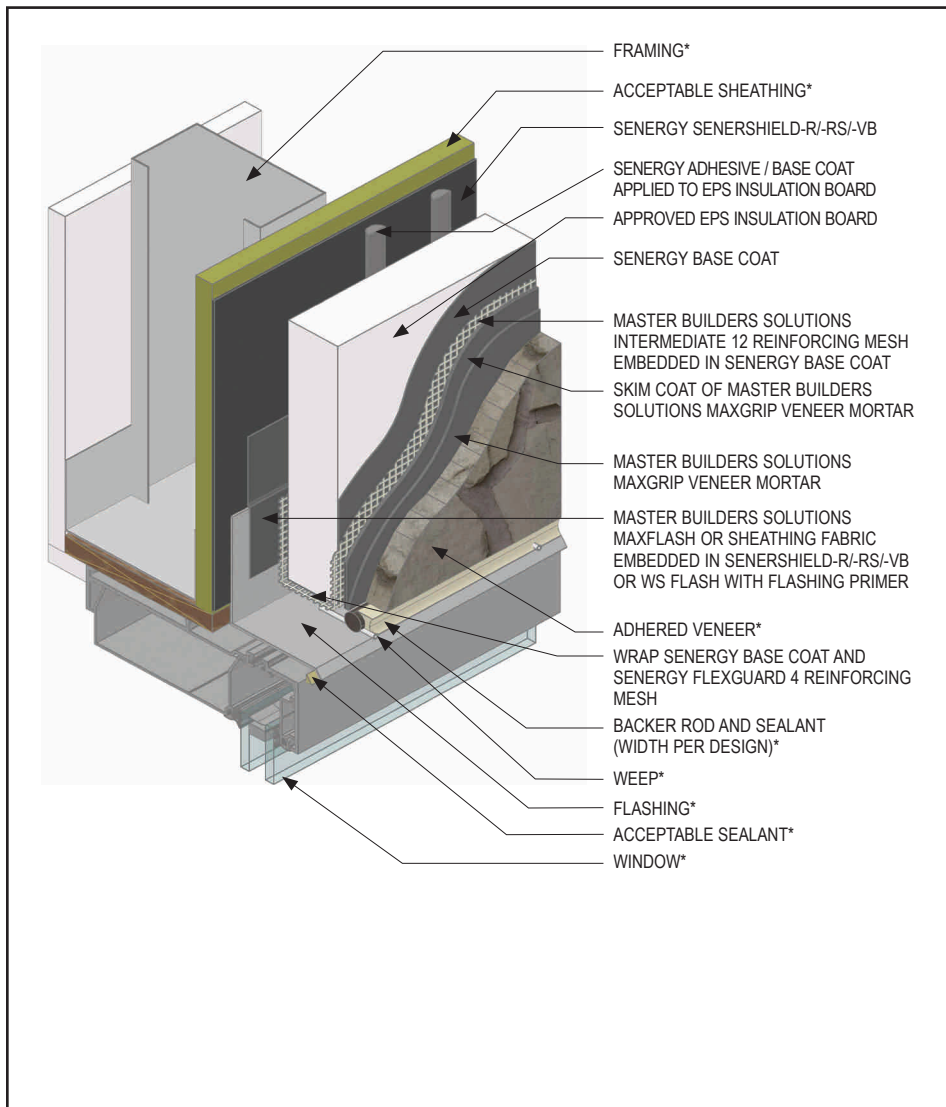
CAM-11 190904

(\*NOTE: BY OTHERS)

This detail represents Master Builders Solutions Construction Systems US, LLC (hereinafter Master Builders Solutions) latest recommendations. It is presented in good faith by Master Builders Solutions. The detail is subject to change without notice. Master Builders Solutions accepts no liability for the end use of the detail. For conditions not shown, consult Master Builders Solutions for review of specific detail.

## Channeled Adhesive CI Design with MaxGrip Veneer Mortar

### TYPICAL WINDOW HEAD (FLUSH) WITH WEEPS



- Install Master Builders Solutions materials in accordance with current installation instructions.
- All terminations must be fully encapsulated with mesh reinforced base coat.
- Ensure a means for drainage is provided at system terminations at all window, door and PTAC unit heads.
- Provide end-dams at flashing terminations.
- Place weeps a minimum of 16" (406 mm) on center.
- Ensure Senergy air/water-resistive barrier is properly applied into the rough openings in accordance with application guidelines and code requirements prior to EPS insulation board application.

CAM-12 190904

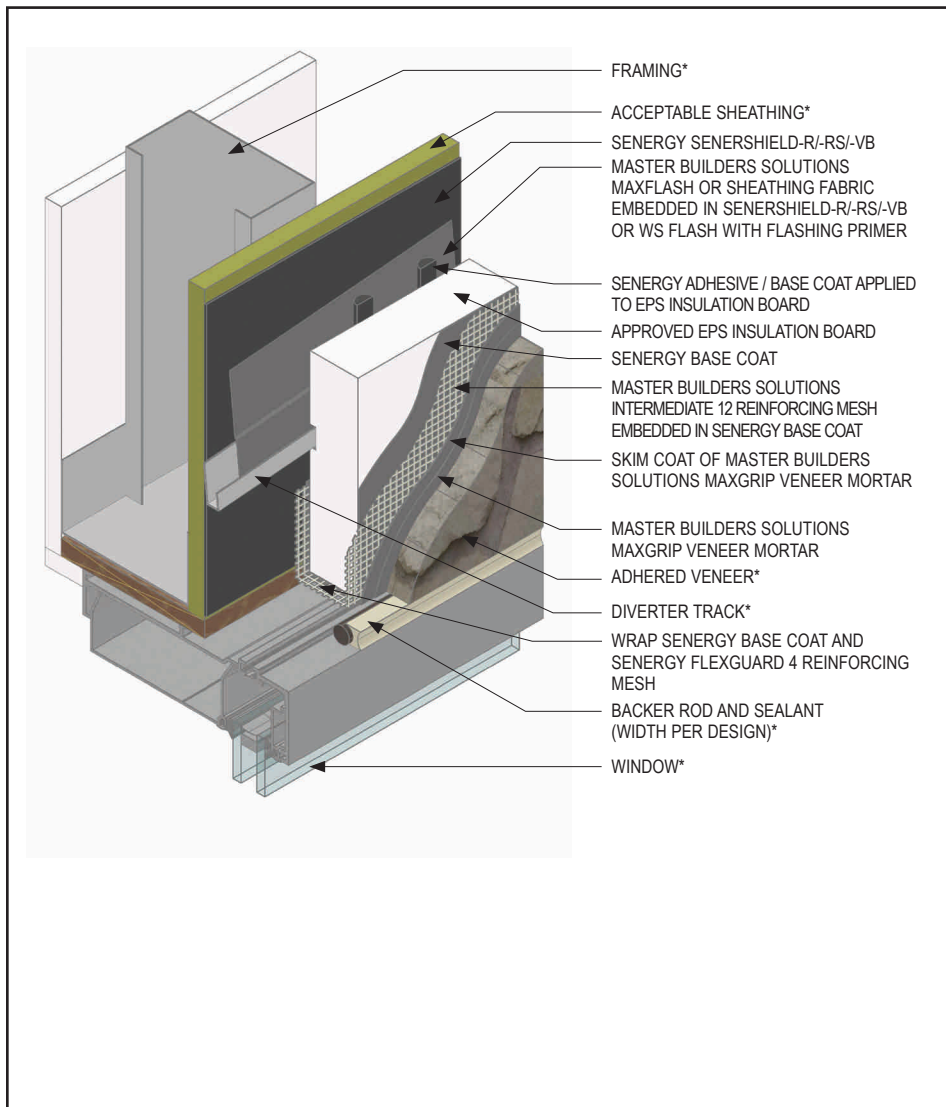
(\*NOTE: BY OTHERS)

This detail represents Master Builders Solutions Construction Systems US, LLC (hereinafter Master Builders Solutions) latest recommendations. It is presented in good faith by Master Builders Solutions. The detail is subject to change without notice. Master Builders Solutions accepts no liability for the end use of the detail. For conditions not shown, consult Master Builders Solutions for review of specific detail.



## Channeled Adhesive CI Design with MaxGrip Veneer Mortar

### TYPICAL WINDOW HEAD (FLUSH) WITH DIVERTER TRACK



- Install Master Builders Solutions materials in accordance with current installation instructions.
- All terminations must be fully encapsulated with mesh reinforced base coat.
- Ensure that the diverter flashing extends 6" (152 mm) beyond opening on either side of the opening to allow potential moisture to drain down the wall to the side of the opening. Master Builders Solutions MAXFLASH or SHEATHING FABRIC embedded in SENERSHIELD-R/-RS/-VB or WS FLASH with Flashing Primer must be extended over flange of diverter track. Ensure the diverter track flashing is sloped to provide a means for drainage. Length of diverter track not to exceed 10 ft. (3 m).
- Maintain a minimum of 3/4" (19 mm) EPS insulation thickness over diverter track.
- Ensure Senergy air/water-resistive barrier is properly applied into the rough openings in accordance with application guidelines and code requirements prior to EPS insulation board application.

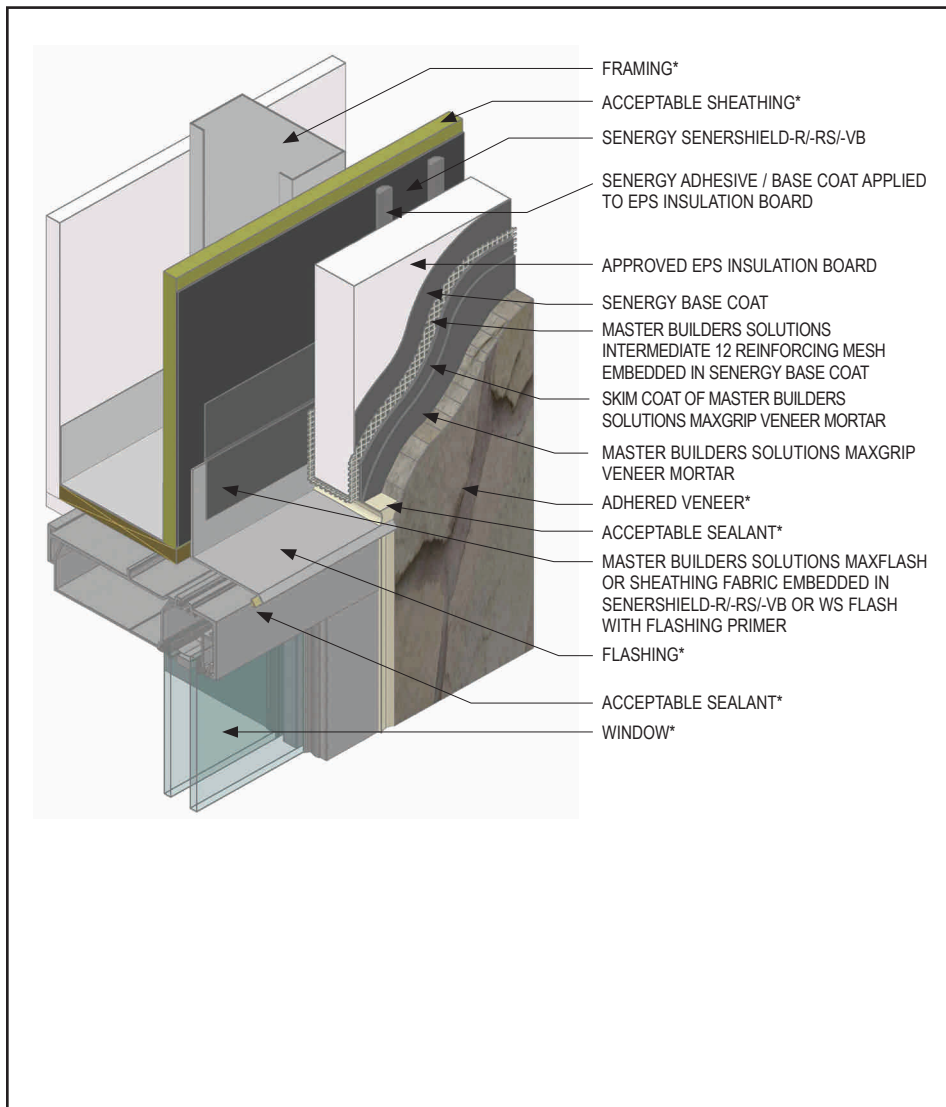
CAM-13 190904

(\*NOTE: BY OTHERS)

This detail represents Master Builders Solutions Construction Systems US, LLC (hereinafter Master Builders Solutions) latest recommendations. It is presented in good faith by Master Builders Solutions. The detail is subject to change without notice. Master Builders Solutions accepts no liability for the end use of the detail. For conditions not shown, consult Master Builders Solutions for review of specific detail.

## Channeled Adhesive CI Design with MaxGrip Veneer Mortar

### TYPICAL WINDOW HEAD WITH SEALANT END DAM



- Install Master Builders Solutions materials in accordance with current installation instructions.
- All terminations must be fully encapsulated with mesh reinforced base coat.
- Ensure a means for drainage is provided at system terminations at all window, door and PTAC unit heads.
- Provide end-dams at flashing terminations.
- EPS insulation boards must be a single piece around corners of openings.
- Ensure Senergy air/water-resistive barrier is properly applied into the rough openings in accordance with application guidelines and code requirements prior to EPS insulation board application.

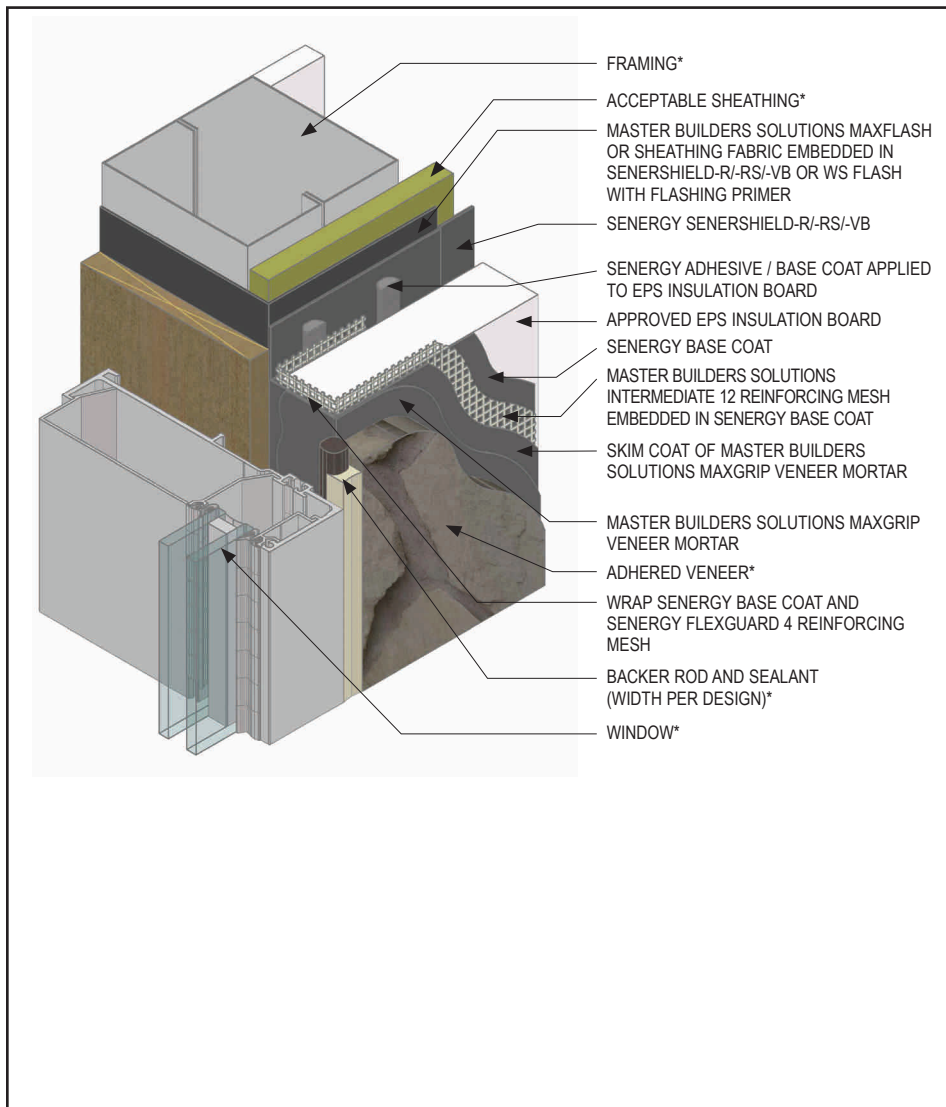
CAM-14 190904

(\*NOTE: BY OTHERS)

This detail represents Master Builders Solutions Construction Systems US, LLC (hereinafter Master Builders Solutions) latest recommendations. It is presented in good faith by Master Builders Solutions. The detail is subject to change without notice. Master Builders Solutions accepts no liability for the end use of the detail. For conditions not shown, consult Master Builders Solutions for review of specific detail.

## Channeled Adhesive CI Design with MaxGrip Veneer Mortar

### TYPICAL WINDOW JAMB (FLUSH)



- Install Master Builders Solutions materials in accordance with current installation instructions.
- All terminations must be fully encapsulated with mesh reinforced base coat.
- Ensure Senergy air/water-resistive barrier is properly applied into the rough openings in accordance with application guidelines and code requirements prior to EPS insulation board application.
- Provide a back wrapped joint with backer rod and sealant at system terminations to dissimilar materials, ensuring that a water tight seal is achieved (width per design).

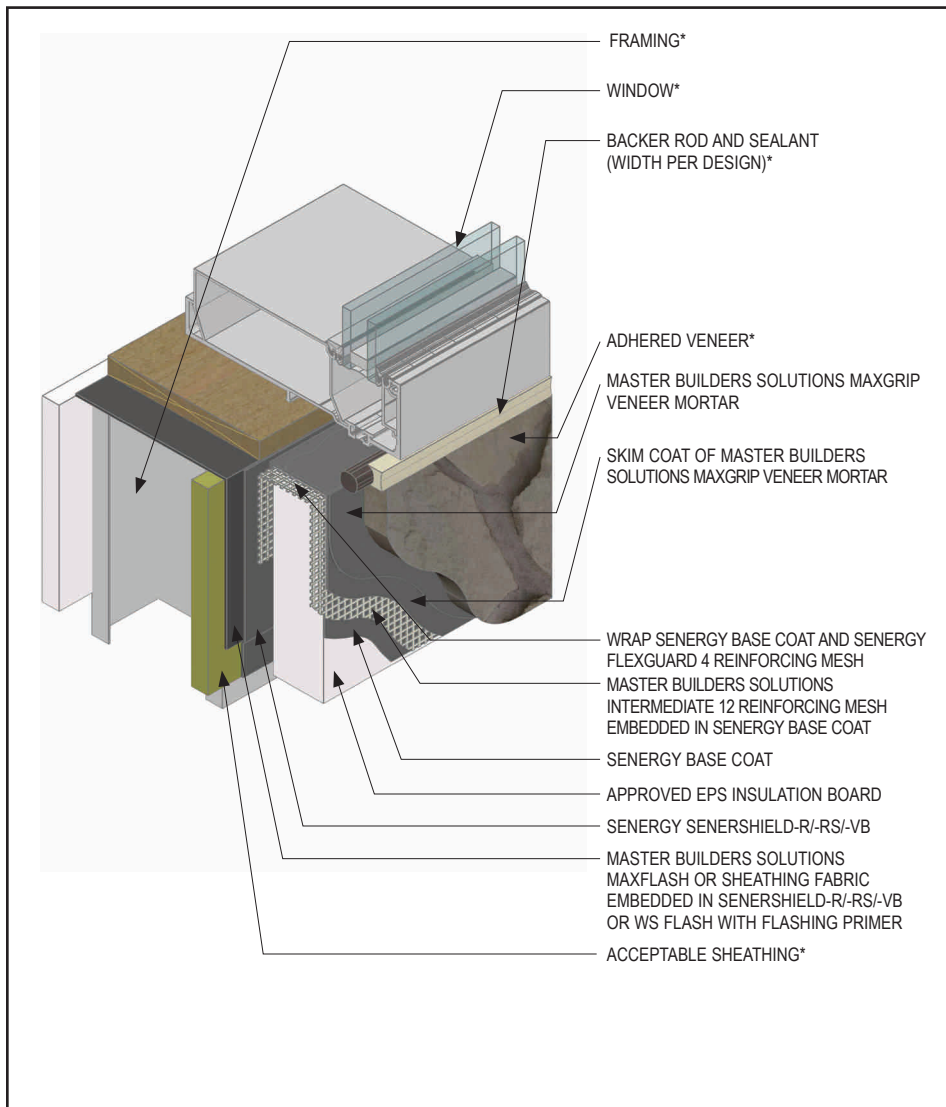
CAM-15 190904

(\*NOTE: BY OTHERS)

This detail represents Master Builders Solutions Construction Systems US, LLC (hereinafter Master Builders Solutions) latest recommendations. It is presented in good faith by Master Builders Solutions. The detail is subject to change without notice. Master Builders Solutions accepts no liability for the end use of the detail. For conditions not shown, consult Master Builders Solutions for review of specific detail.

## Channeled Adhesive CI Design with MaxGrip Veneer Mortar

### TYPICAL WINDOW SILL (FLUSH)



- Install Master Builders Solutions materials in accordance with current installation instructions.
- All terminations must be fully encapsulated with mesh reinforced base coat.
- Ensure Senergy air/water-resistive barrier is properly applied into the rough openings in accordance with application guidelines and code requirements prior to EPS insulation board application.
- Provide a back wrapped joint with backer rod and sealant at system terminations to dissimilar materials, ensuring that a water tight seal is achieved (width per design).

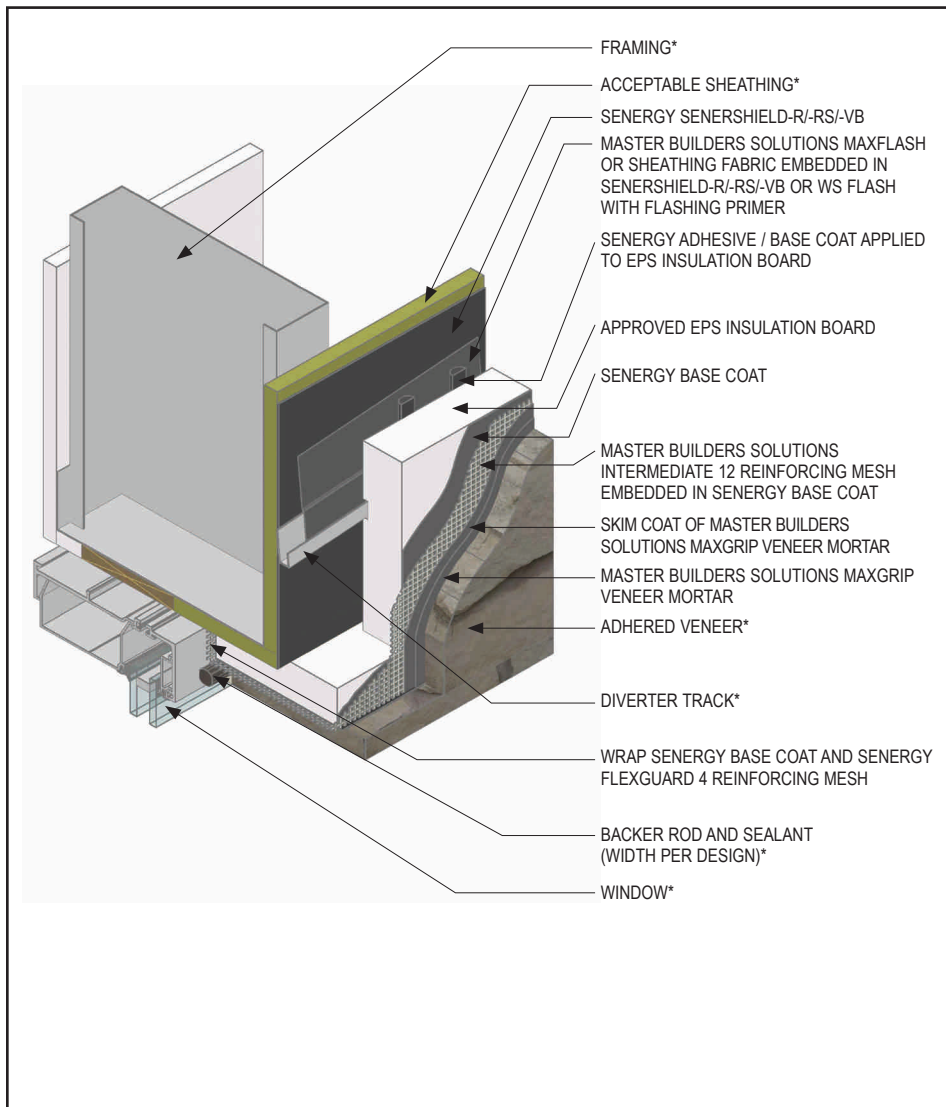
CAM-16 190904

(\*NOTE: BY OTHERS)

This detail represents Master Builders Solutions Construction Systems US, LLC (hereinafter Master Builders Solutions) latest recommendations. It is presented in good faith by Master Builders Solutions. The detail is subject to change without notice. Master Builders Solutions accepts no liability for the end use of the detail. For conditions not shown, consult Master Builders Solutions for review of specific detail.

## Channeled Adhesive CI Design with MaxGrip Veneer Mortar

### TYPICAL WINDOW HEAD (RECESSED)



CAM-17 190904

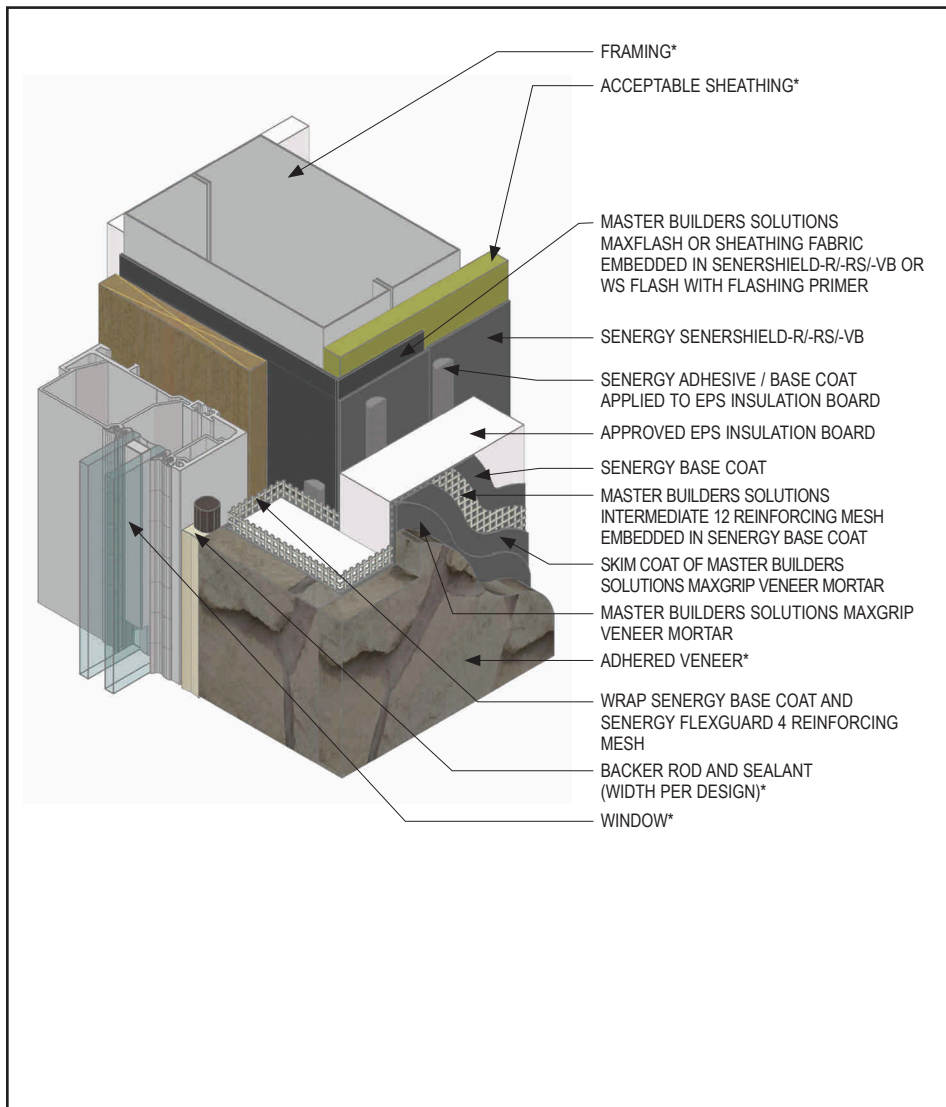
(\*NOTE: BY OTHERS)

- Install Master Builders Solutions materials in accordance with current installation instructions.
- All terminations must be fully encapsulated with mesh reinforced base coat.
- Provide a back wrapped joint with backer rod and sealant at system terminations to dissimilar materials, ensuring that a water tight seal is achieved (width per design).
- Ensure that the diverter flashing extends 6" (152 mm) beyond opening on either side of the opening to allow potential moisture to drain down the wall to the side of the opening. Master Builders Solutions MAXFLASH or SHEATHING FABRIC embedded in SENERSHIELD-R/-RS/-VB or WS FLASH with Flashing Primer must be extended over flange of diverter track. Ensure the diverter track flashing is sloped to provide a means for drainage. Length of diverter track not to exceed 10 ft. (3 m).
- Maintain a minimum of 3/4" (19 mm) EPS insulation thickness over diverter track.
- Master Builders Solutions Intermediate 12 reinforcing mesh is lapped around corners.

This detail represents Master Builders Solutions Construction Systems US, LLC (hereinafter Master Builders Solutions) latest recommendations. It is presented in good faith by Master Builders Solutions. The detail is subject to change without notice. Master Builders Solutions accepts no liability for the end use of the detail. For conditions not shown, consult Master Builders Solutions for review of specific detail.

## Channeled Adhesive CI Design with MaxGrip Veneer Mortar

### TYPICAL WINDOW JAMB (RECESSED)



- Install Master Builders Solutions materials in accordance with current installation instructions.
- All terminations must be fully encapsulated with mesh reinforced base coat.
- Ensure Senergy air/water-resistive barrier is properly applied into the rough openings in accordance with application guidelines and code requirements prior to EPS insulation board application.
- Provide a back wrapped joint with backer rod and sealant at system terminations to dissimilar materials, ensuring that a water tight seal is achieved (width per design).
- Master Builders Solutions Intermediate 12 reinforcing mesh is lapped around corners.

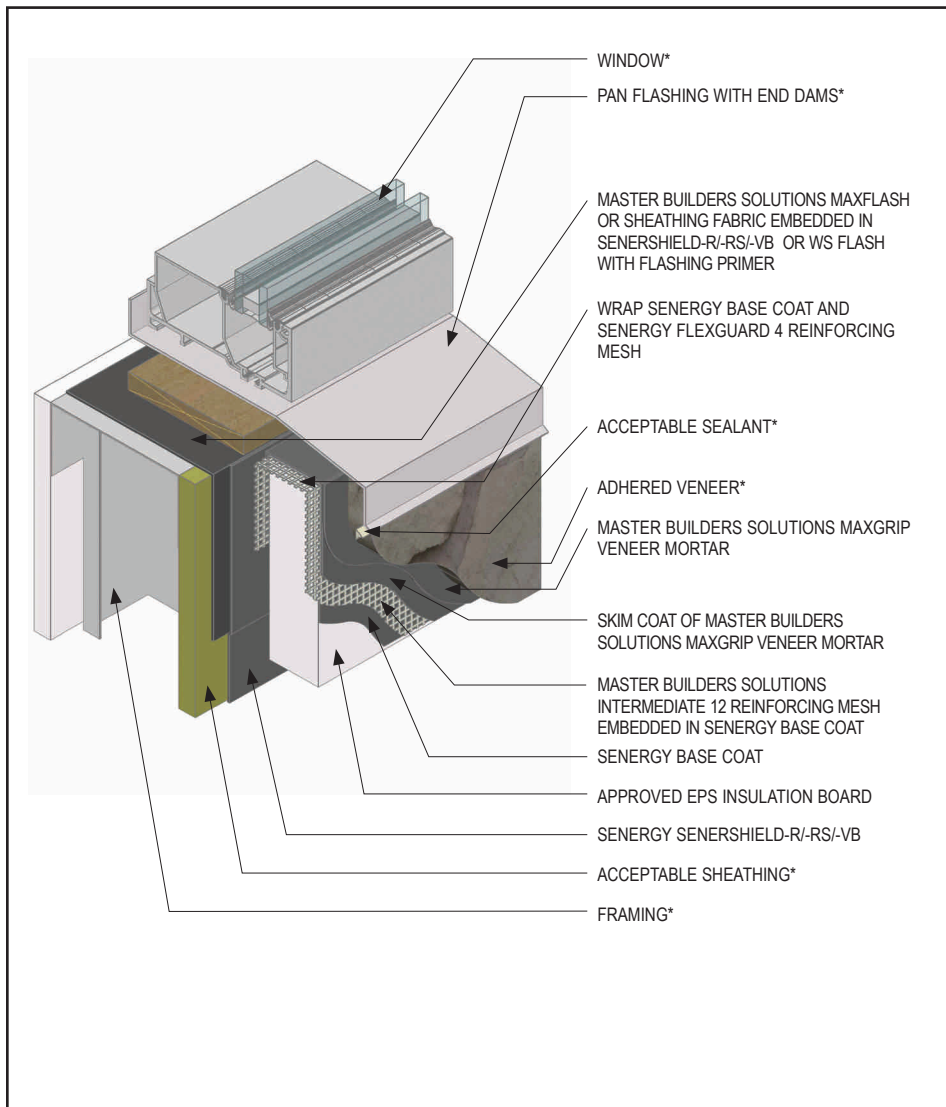
CAM-18 190904

(\*NOTE: BY OTHERS)

This detail represents Master Builders Solutions Construction Systems US, LLC (hereinafter Master Builders Solutions) latest recommendations. It is presented in good faith by Master Builders Solutions. The detail is subject to change without notice. Master Builders Solutions accepts no liability for the end use of the detail. For conditions not shown, consult Master Builders Solutions for review of specific detail.

## Channeled Adhesive CI Design with MaxGrip Veneer Mortar

### TYPICAL WINDOW SILL (RECESSED)



- Install Master Builders Solutions materials in accordance with current installation instructions.
- All terminations must be fully encapsulated with mesh reinforced base coat.
- Ensure Senergy air/water-resistive barrier is properly applied into the rough openings in accordance with application guidelines and code requirements prior to EPS insulation board application.
- Ensure that pan flashing extends onto the system a minimum of 2" (50 mm) down the face and that end dams are provided.

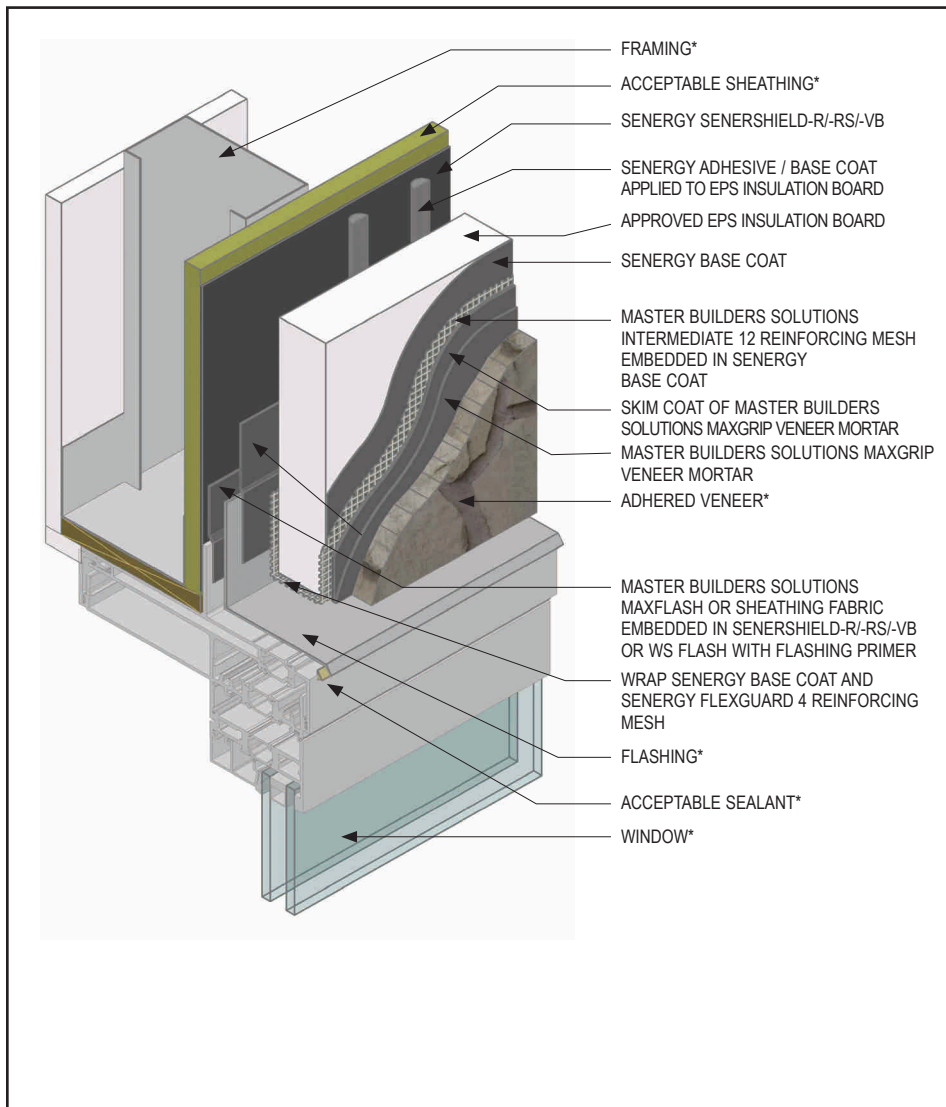
CAM-19 190904

(\*NOTE: BY OTHERS)

This detail represents Master Builders Solutions Construction Systems US, LLC (hereinafter Master Builders Solutions) latest recommendations. It is presented in good faith by Master Builders Solutions. The detail is subject to change without notice. Master Builders Solutions accepts no liability for the end use of the detail. For conditions not shown, consult Master Builders Solutions for review of specific detail.

## Channeled Adhesive CI Design with MaxGrip Veneer Mortar

### TYPICAL FLANGED WINDOW HEAD



- Install Master Builders Solutions materials in accordance with current installation instructions.
- All terminations must be fully encapsulated with mesh reinforced base coat.
- Ensure a means for drainage is provided at system terminations at all window heads.
- Provide end-dams at flashing terminations.
- Ensure Senergy air/water-resistive barrier is properly applied into the rough openings in accordance with application guidelines and code requirements prior to EPS insulation board application.

CAM-20 190904

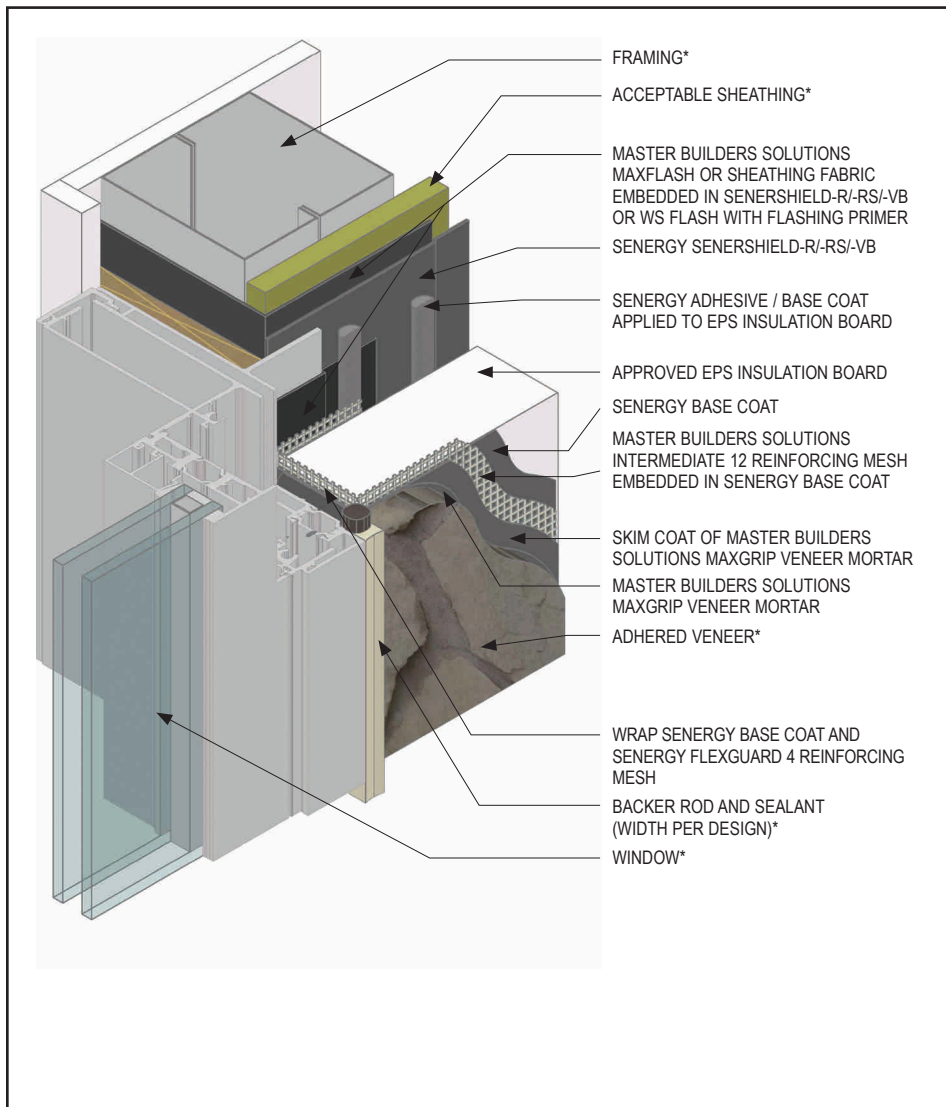
(\*NOTE: BY OTHERS)

This detail represents Master Builders Solutions Construction Systems US, LLC (hereinafter Master Builders Solutions) latest recommendations. It is presented in good faith by Master Builders Solutions. The detail is subject to change without notice. Master Builders Solutions accepts no liability for the end use of the detail. For conditions not shown, consult Master Builders Solutions for review of specific detail.



## Channeled Adhesive CI Design with MaxGrip Veneer Mortar

### TYPICAL FLANGED WINDOW JAMB



- Install Master Builders Solutions materials in accordance with current installation instructions.
- All terminations must be fully encapsulated with mesh reinforced base coat.
- Ensure Senergy air/water-resistive barrier is properly applied into the rough openings in accordance with application guidelines and code requirements prior to EPS insulation board application.
- Provide a back wrapped joint with backer rod and sealant at system terminations to dissimilar materials, ensuring that a water tight seal is achieved (width per design).

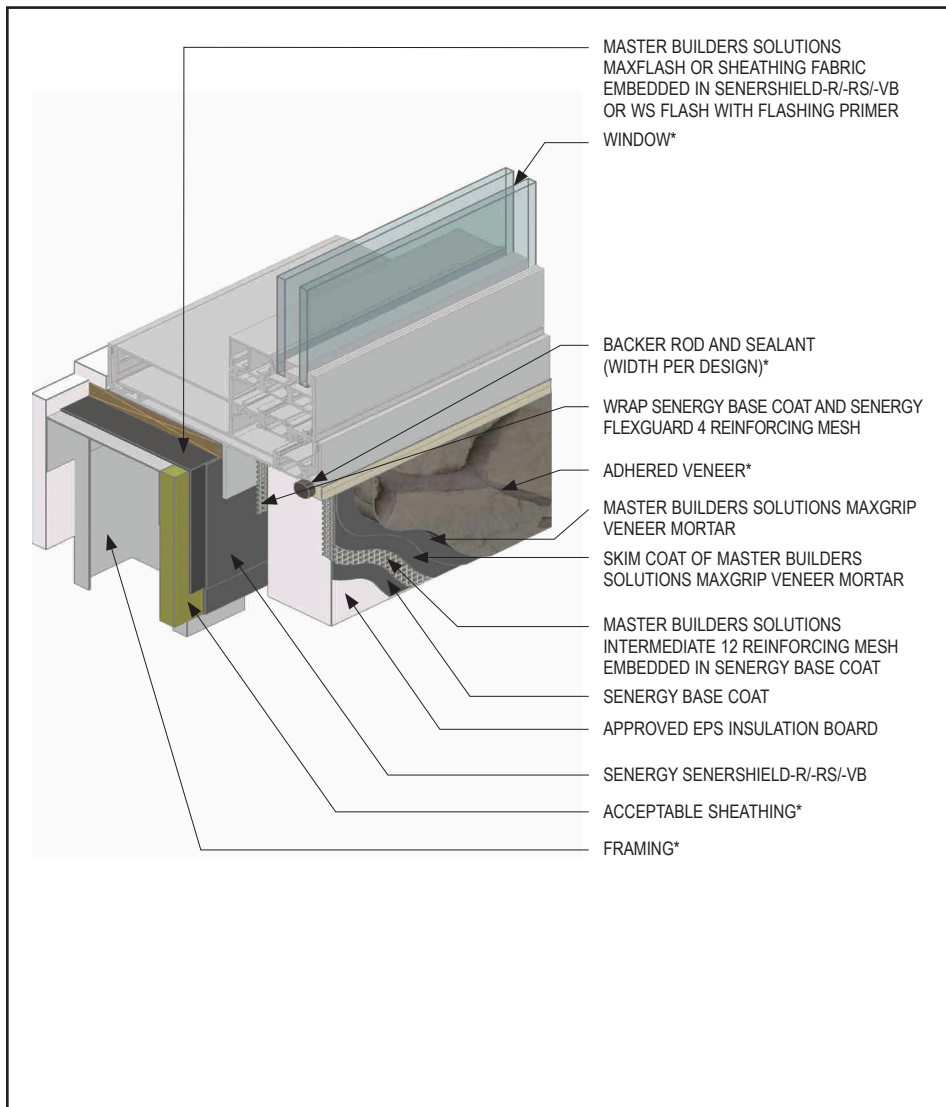
CAM-21 190904

(\*NOTE: BY OTHERS)

This detail represents Master Builders Solutions Construction Systems US, LLC (hereinafter Master Builders Solutions) latest recommendations. It is presented in good faith by Master Builders Solutions. The detail is subject to change without notice. Master Builders Solutions accepts no liability for the end use of the detail. For conditions not shown, consult Master Builders Solutions for review of specific detail.

## Channeled Adhesive CI Design with MaxGrip Veneer Mortar

### TYPICAL FLANGED WINDOW SILL



- Install Master Builders Solutions materials in accordance with current installation instructions.
- All terminations must be fully encapsulated with mesh reinforced base coat.
- Ensure Senergy air/water-resistive barrier is properly applied into the rough openings in accordance with application guidelines and code requirements prior to EPS insulation board application.
- Provide a back wrapped joint with backer rod and sealant at system terminations to dissimilar materials, ensuring that a water tight seal is achieved (width per design).
- Consult window manufacturer for recommendations for treatment of window sill flange.

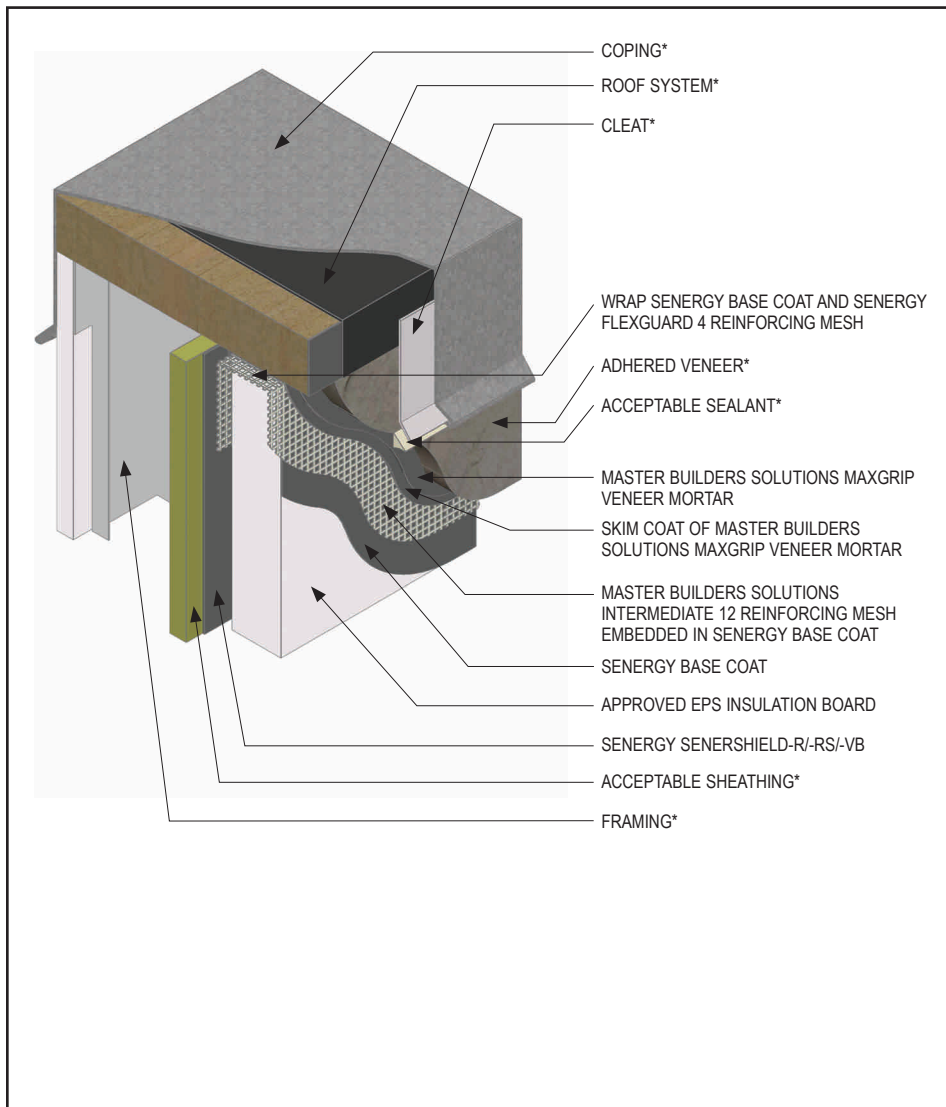
CAM-22 190904

(\*NOTE: BY OTHERS)

This detail represents Master Builders Solutions Construction Systems US, LLC (hereinafter Master Builders Solutions) latest recommendations. It is presented in good faith by Master Builders Solutions. The detail is subject to change without notice. Master Builders Solutions accepts no liability for the end use of the detail. For conditions not shown, consult Master Builders Solutions for review of specific detail.

## Channeled Adhesive CI Design with MaxGrip Veneer Mortar

### TYPICAL COPING



- Install Master Builders Solutions materials in accordance with current installation instructions.
- All terminations must be fully encapsulated with mesh reinforced base coat.
- Ensure that coping/ flashing extends over the system a minimum of 2" (50 mm).
- Extend the Senergy air/water-resistive barrier on to the bottom and face of blocking.

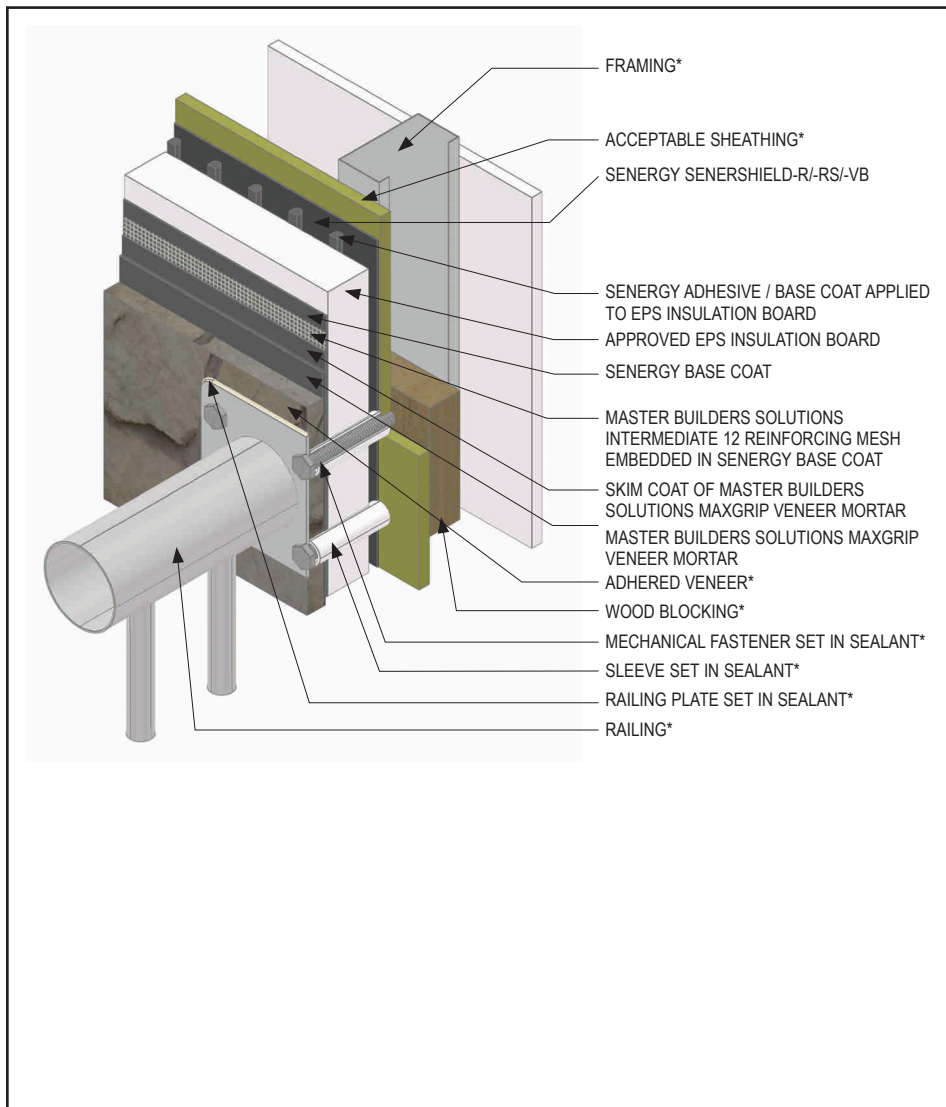
CAM-23 190904

(\*NOTE: BY OTHERS)

This detail represents Master Builders Solutions Construction Systems US, LLC (hereinafter Master Builders Solutions) latest recommendations. It is presented in good faith by Master Builders Solutions. The detail is subject to change without notice. Master Builders Solutions accepts no liability for the end use of the detail. For conditions not shown, consult Master Builders Solutions for review of specific detail.

## Channeled Adhesive CI Design with MaxGrip Veneer Mortar

### TYPICAL RAILING ATTACHMENT



- Install Master Builders Solutions materials in accordance with current installation instructions.
- All terminations must be fully encapsulated with mesh reinforced base coat.
- Ensure all penetrations through the system and railing plate are properly sealed.

CAM-24 190904

(\*NOTE: BY OTHERS)

This detail represents Master Builders Solutions Construction Systems US, LLC (hereinafter Master Builders Solutions) latest recommendations. It is presented in good faith by Master Builders Solutions. The detail is subject to change without notice. Master Builders Solutions accepts no liability for the end use of the detail. For conditions not shown, consult Master Builders Solutions for review of specific detail.

## **Warranty**

Master Builders Solutions Construction Systems US, LLC ("Master Builders") warrants this product to be free from manufacturing defects and to meet the technical properties on the current Technical Data Guide, if used as directed within shelf life. Satisfactory results depend not only on quality products but also upon many factors beyond our control. Master Builders MAKES NO OTHER WARRANTY OR GUARANTEE, EXPRESS OR IMPLIED, INCLUDING WARRANTIES OF MERCHANTABILITY OR FITNESS FOR A PARTICULAR PURPOSE WITH RESPECT TO ITS PRODUCTS. The sole and exclusive remedy of Purchaser for any claim concerning this product, including but not limited to, claims alleging breach of warranty, negligence, strict liability or otherwise, is shipment to purchaser of product equal to the amount of product that fails to meet this warranty or refund of the original purchase price of product that fails to meet this warranty, at the sole option of Master Builders. Any claims concerning this product must be received in writing within one (1) year from the date of shipment and any claims not presented within that period are waived by Purchaser. Master Builders WILL NOT BE RESPONSIBLE FOR ANY SPECIAL, INCIDENTAL, CONSEQUENTIAL (INCLUDING LOST PROFITS) OR PUNITIVE DAMAGES OF ANY KIND.

Purchaser must determine the suitability of the products for the intended use and assumes all risks and liabilities in connection therewith. This information and all further technical advice are based on Master Builders' present knowledge and experience. However, Master Builders assumes no liability for providing such information and advice including the extent to which such information and advice may relate to existing third party intellectual property rights, especially patent rights, nor shall any legal relationship be created by or arise from the provision of such information and advice. Master Builders reserves the right to make any changes according to technological progress or further developments. The Purchaser of the Product(s) must test the product(s) for suitability for the intended application and purpose before proceeding with a full application of the product(s). Performance of the product described herein should be verified by testing and carried out by qualified experts.

**For professional use only. Not for sale to or use by the general public.**

For the most current version of this literature, please visit our website at [senergy.master-builders-solutions.com/en](https://senergy.master-builders-solutions.com/en).

**Master Builders Solutions Construction Systems US, LLC**

889 Valley Park Drive, Shakopee, MN 55379  
[senergy.master-builders-solutions.com/en](https://senergy.master-builders-solutions.com/en)

**Customer Service** +1 (800) 433-9517  
**Technical Service** +1 (800) 589-1336