

Air/Water-Resistive/Vapor Barrier Application Guidelines

Guidelines for the application of sheathing joint and rough opening protection using Senershield-R/-RS/-VB liquid applied air/water-resistive/vapor barriers with Sheathing Fabric or WS Flash and Flashing Primer.

When specified, an air/water-resistive/vapor barrier must be installed over the entire sheathed substrate and wrapped into rough openings prior to installation of wall cladding systems. The air/water-resistive/vapor barrier is vapor permeable. The following guidelines and drawings are intended to illustrate concepts and common installation practices. Proper use and installation of these barriers will help to properly protect openings and sheathing substrates in addition to contributing to improved energy efficiency.

SHEATHING FABRIC 4- OR 9-INCH WIDE

JOINT TREATMENT TECHNIQUES:

1. Mix Senershield-R/-RS/-VB per the product bulletin instructions. Apply a generous receiving coat to completely saturate the Sheathing Fabric over the joint and out 2 to 5 inches on each side. (See Figure 1)
2. Lay the Sheathing Fabric into the wet Senershield-R/-RS/-VB. (See Figure 2)
3. Apply additional Senershield-R/-RS/-VB onto the Sheathing Fabric to embed. (See Figure 3)
4. Mix and apply Senershield-R/-RS/-VB per the product bulletin instructions over substrate. (See Figure 4)

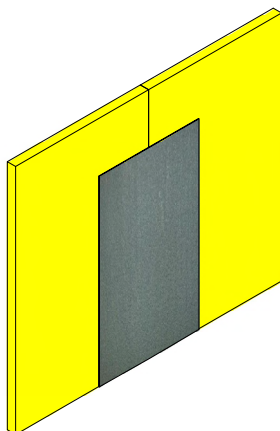


Figure 1

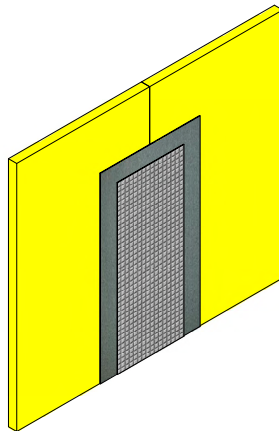


Figure 2

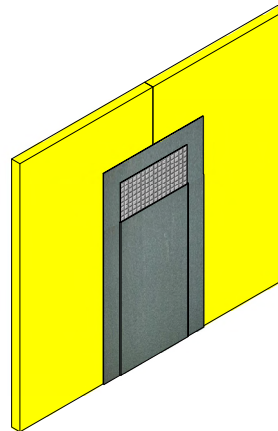


Figure 3

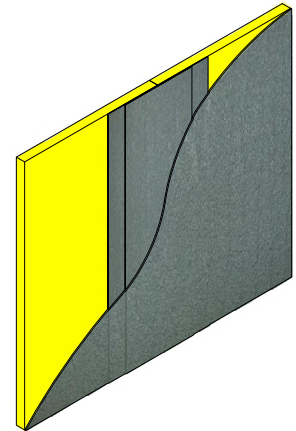


Figure 4

SHEATHING FABRIC 4- OR 9-INCH WIDE

ROUGH OPENING PROTECTION TECHNIQUES:

1. Mix Senershield-R/-RS/-VB per the product bulletin instructions. Apply a generous receiving coat to the corners of openings and out onto the substrate. (See Figure 5)
2. Cut Sheathing Fabric to desired size. Place the Sheathing Fabric into the wet Senershield-R/-RS/-VB. (See Figure 6)
3. Apply additional Senershield-R/-RS/-VB onto the Sheathing Fabric to completely saturate and embed. Verify Sheathing Fabric is smooth, free of wrinkles and voids. (See Figure 7)

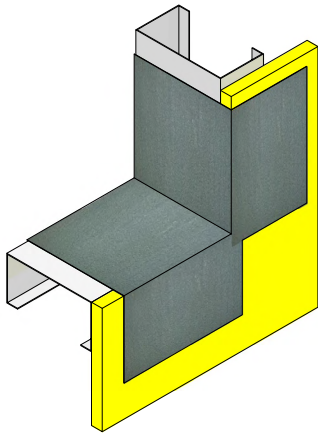


Figure 5

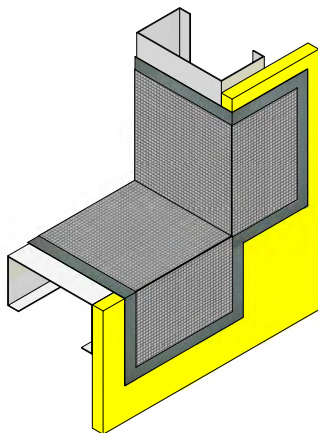


Figure 6

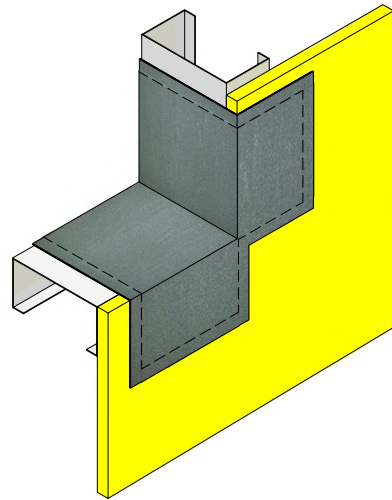


Figure 7

4. Apply additional Senershield-R/-RS/-VB over the areas to receive additional Sheathing Fabric. (See Figure 8)
5. Cut Sheathing Fabric to desired size. Place the Sheathing Fabric into the wet Senershield-R/-RS/-VB. (See Figure 9)
6. Apply additional Senershield-R/-RS/-VB onto the Sheathing Fabric to embed. Verify Sheathing Fabric is smooth, free of wrinkles, and voids. (See Figure 10)

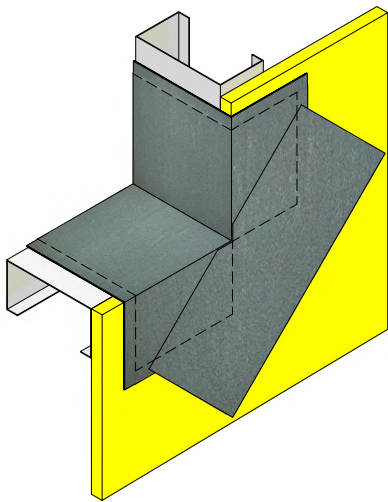


Figure 8

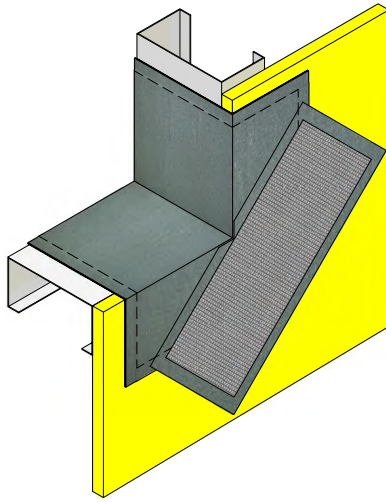


Figure 9

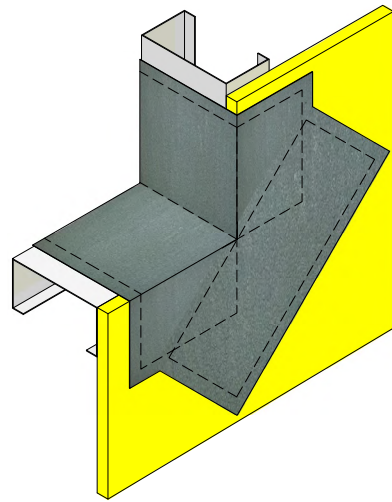


Figure 10

7. Apply a receiving coat of Senershield-R/-RS/-VB at rough opening sill.
8. Cut Sheathing Fabric to desired size. Place the Sheathing Fabric into the wet Senershield-R/-RS/-VB. Lap mesh 63.5 mm (2 1/2") minimum at intersections. (See Figure 11)
9. Apply additional Senershield-R/-RS/-VB onto the Sheathing Fabric to embed. If necessary, apply a second coat. (See Figure 11)
10. Repeat steps 7, 8, and 9 for the rough opening jambs and head. (See Figures 12,13,14)

Note: Treatment into the rough opening head is required to create a continuous air barrier assembly.

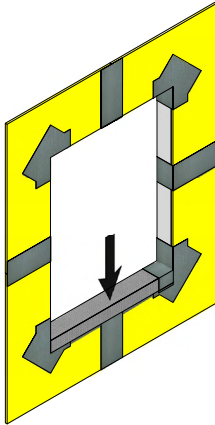


Figure 11

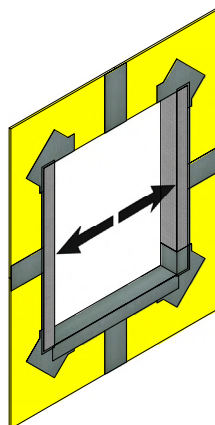


Figure 12

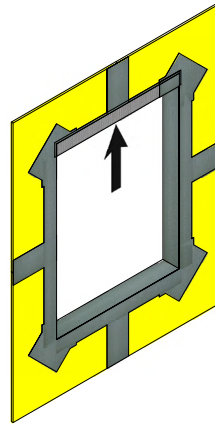


Figure 13

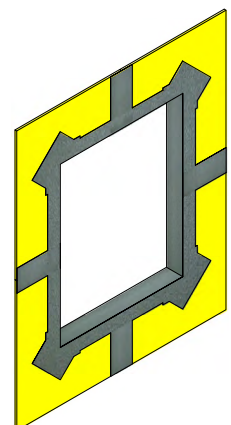


Figure 14

11. Install window per window manufacturer's instructions. (See Figure 15)
12. Install required accessories such as window head Flashing. Apply Senershield-R/-RS/-VB over the accessory and onto areas which will receive Sheathing Fabric. Cut Sheathing Fabric to desired size. Apply additional Senershield-R/-RS/-VB onto the Sheathing Fabric to embed. If necessary, apply a second coat. (See Figure 16)
13. Apply Senershield-R/-RS/-VB per the product bulletin instructions over the substrate. (See Figure 17)

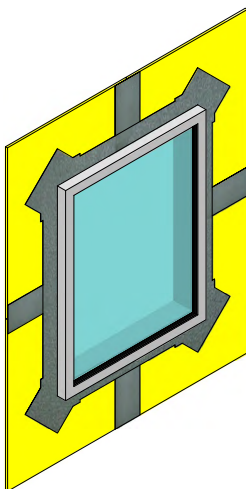


Figure 15

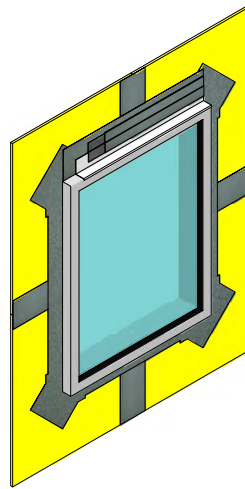


Figure 16

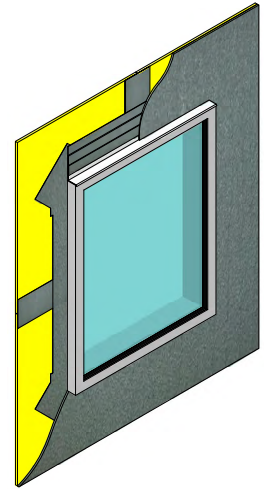


Figure 17

FLASHING PRIMER AND WS FLASH

JOINT TREATMENT TECHNIQUES:

1. Prime the joint area with a generous amount of primer, out 2 to 5 inches on each side, with Flashing Primer. Allow to dry until tacky. (See Figure 18)
2. Remove the backing from the WS Flash. Using a roller firmly press the WS Flash over the joint ensuring it is well and evenly adhered. The joint is now ready to receive the final coat of Senershield-R/-RS/-VB. (See Figure 19)
3. Mix and apply Senershield-R/-RS/-VB per the product bulletin instructions over substrate. (See Figure 20)

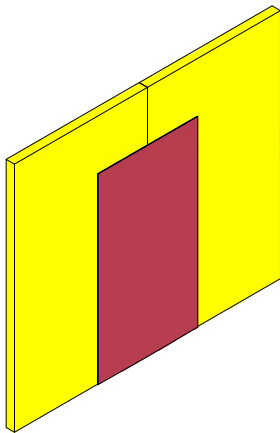


Figure 18

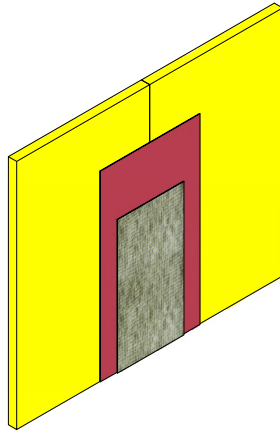


Figure 19

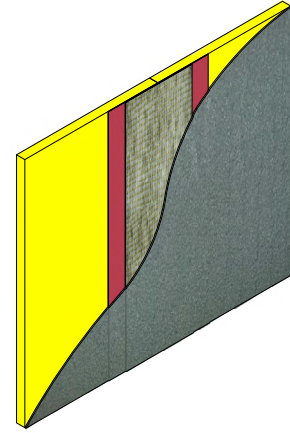


Figure 20

ROUGH OPENING PROTECTION TECHNIQUES:

1. Apply a generous amount of Flashing Primer to the corners of openings and out onto the substrate. (See Figure 21)
2. Cut WS Flash to desired size. Remove release film immediately before application. Using a roller firmly press the WS Flash into the corner, onto the surface, keeping the membrane smooth. (See Figure 22)
3. Apply Flashing Primer over the areas to receive additional WS Flash. (See Figure 23)
4. Cut WS Flash to desired size. Remove release film immediately before application. Using a roller firmly press the WS Flash keeping the membrane smooth. (See Figure 24)

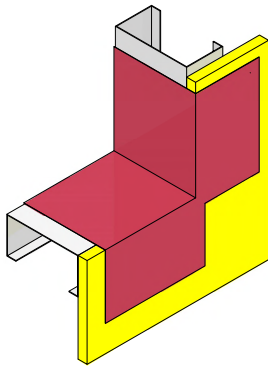


Figure 21

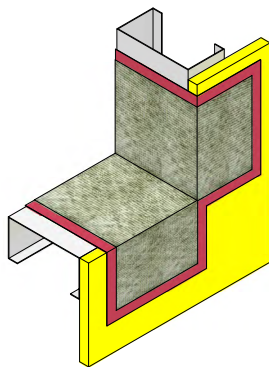


Figure 22

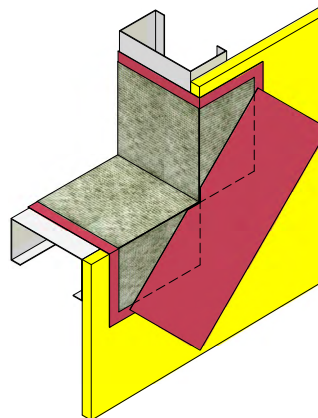


Figure 23

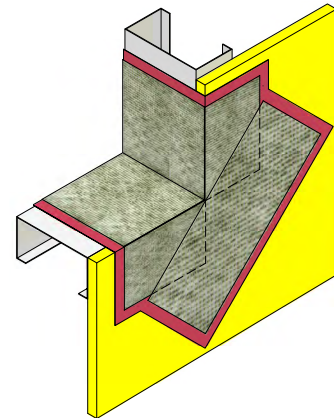


Figure 24

5. Apply a generous amount of Flashing Primer at rough opening sill, jamb, and head. Flashing Primer is to be used when WS Flash is applied over itself.
 6. Cut WS Flash to desired size. Remove release film immediately before application. Using a roller firmly press the WS Flash onto the surface, keeping the membrane smooth. Begin by treating the sill first, the jambs second, followed by the head. (See Figures 25,26,27)
- Note: Treatment into the rough opening head is required to create a continuous air barrier assembly.**

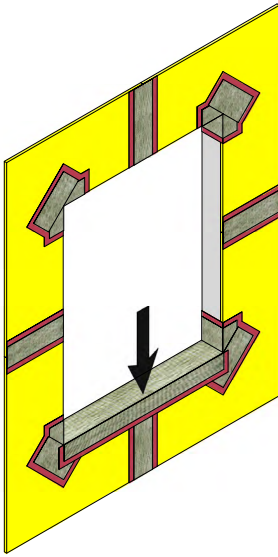


Figure 25

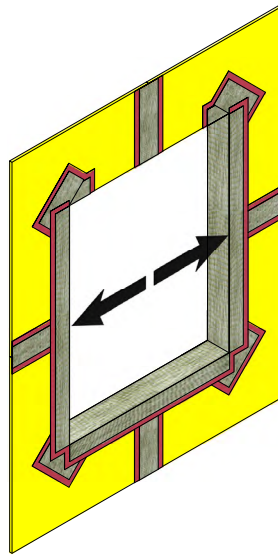


Figure 26

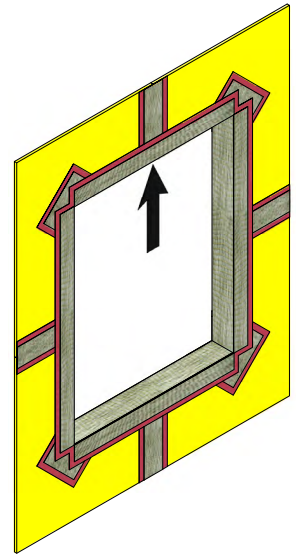


Figure 27

7. Install window per window manufacturer's instructions. (See Figure 28)
8. Install required accessories such as window head Flashing. Apply Flashing Primer over the accessory and onto areas which will receive WS Flash. Cut WS Flash to desired size. Remove release film immediately before application. Using a roller firmly press the WS Flash onto the surface keeping the membrane smooth. (See Figure 29)
9. Apply Senersshield-R/-RS/-VB per the product bulletin instructions over the substrate. (See Figure 30)

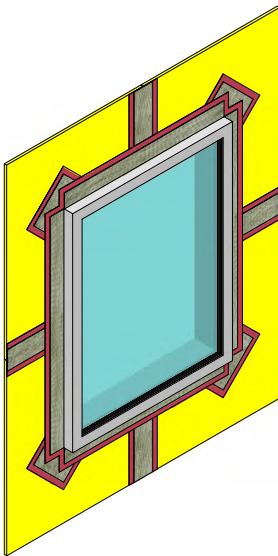


Figure 28

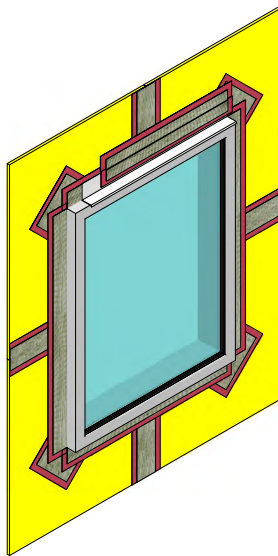


Figure 29

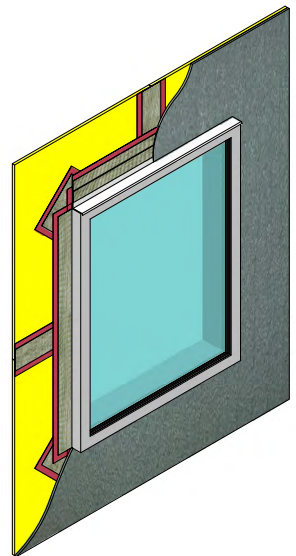


Figure 30

TECHNICAL SUPPORT

Consult Master Builders Solutions Technical Services Department at +1 (800) 589-1336 for specific recommendations concerning all other applications. Consult the Wall Systems website at senergy.master-builders-solutions.com/en, for additional information about products and systems and for updated literature.

GENERAL

For additional information regarding application of Senershield-R/-RS/-VB, refer to its product bulletin.

For the most current version of this literature, please visit our website at senergy.master-builders-solutions.com/en.