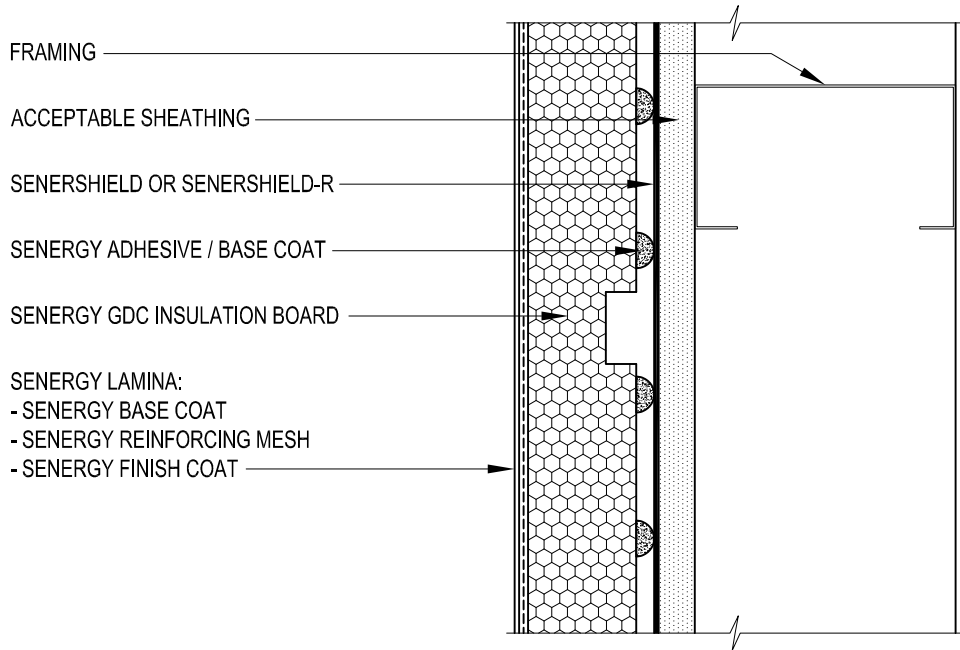


Senerflex® GDC



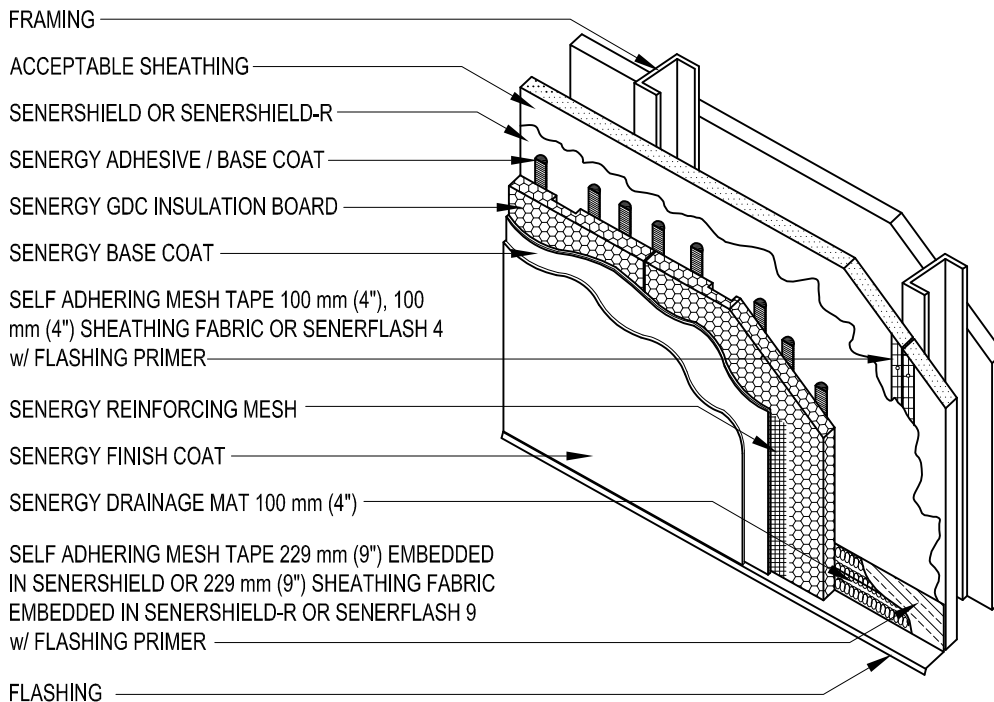
TYPICAL DETAILS

1. Senerflex GDC Application (Plan View)
2. Senerflex GDC Installation
3. Aesthetic Reveal
4. Insulation Boards /Reinforcing Mesh Application at Openings
5. Window Head (Flush)
6. Window Head (Recessed)
7. Window Jamb (Flush)
8. Window Jamb (Recessed)
9. Window Sill (Flush)
10. Window Sill (Recessed)
11. Roof Edge Flashing
12. Metal Coping
13. Parapet Cap
14. Expansion Joint at Floorline
15. Expansion Joint at Change in Substrate (Plan View)
16. Section at Fascia / Soffit
17. Expansion Joint
18. Pipe Penetration
19. Corner Mesh Application with STRONG 15 or HI-IMPACT 20 (Plan View)
20. Corner Mesh Application with FLEXGUARD 4, INTERMEDIATE 6 or 12 (Plan View)
21. Light Fixture
22. Termination at Foundation
23. Termination at Foundation (Flush)
24. GDC Insulation Board Profile
25. Kick-out Flashing

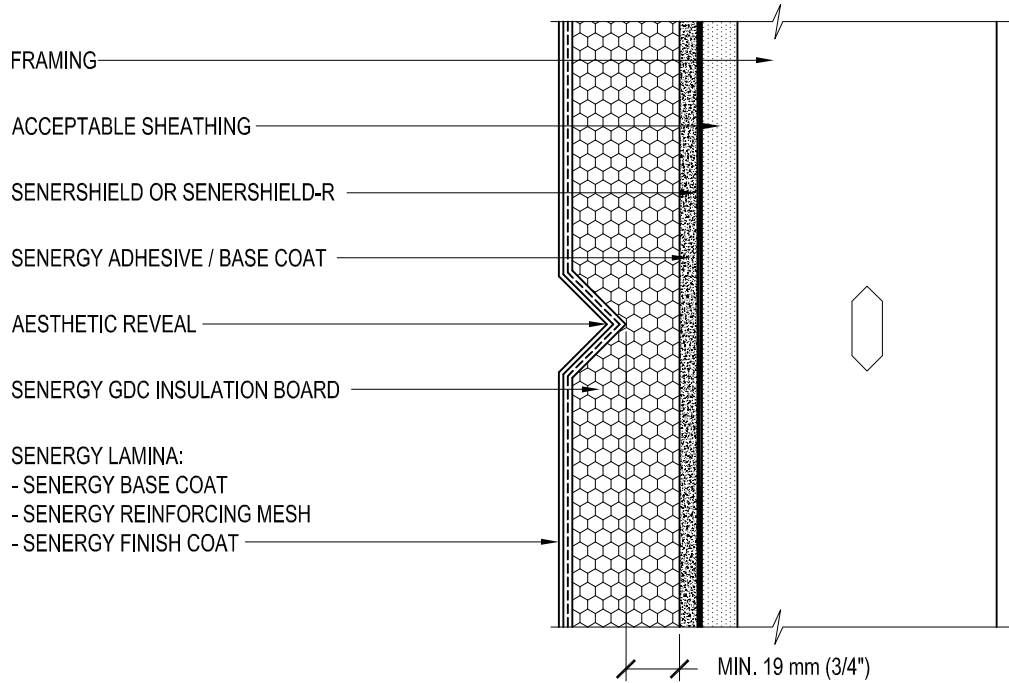


GDC-01 TYPICAL SENERFLEX GDC WALL SYSTEM APPLICATION (PLAN VIEW)

NOTE: FRAMING, ACCEPTABLE SHEATHING, FLASHING AND SEALANT BY OTHERS

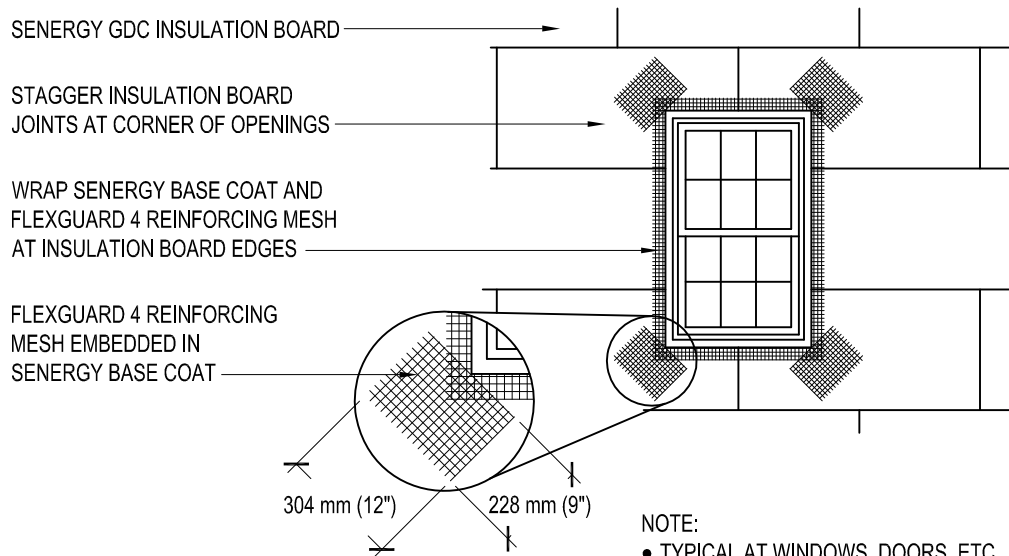


GDC-02 TYPICAL SENERFLEX GDC INSTALLATION



GDC-03 TYPICAL AESTHETIC REVEAL

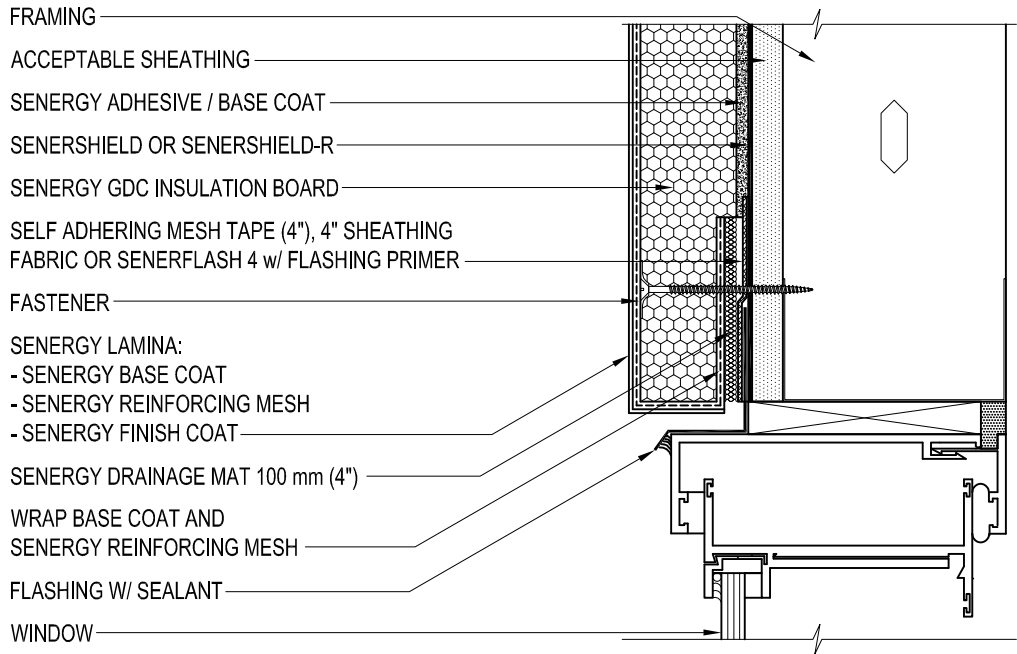
NOTE: FRAMING, ACCEPTABLE SHEATHING, FLASHING, WINDOW AND SEALANT BY OTHERS



NOTE:

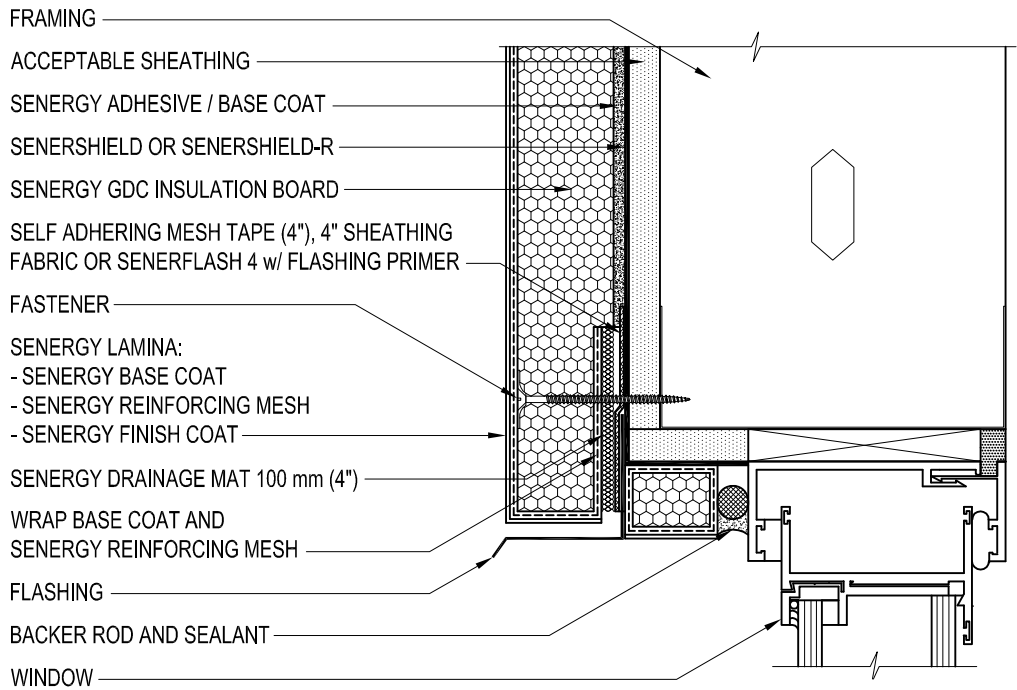
- TYPICAL AT WINDOWS, DOORS, ETC.
- FLASHING ARE BY OTHERS AND SHALL BE AS PER DESIGN / CODE REQUIREMENTS

GDC-04 TYPICAL INSULATION BOARDS/REINFORCING MESH APPLICATION AT OPENINGS

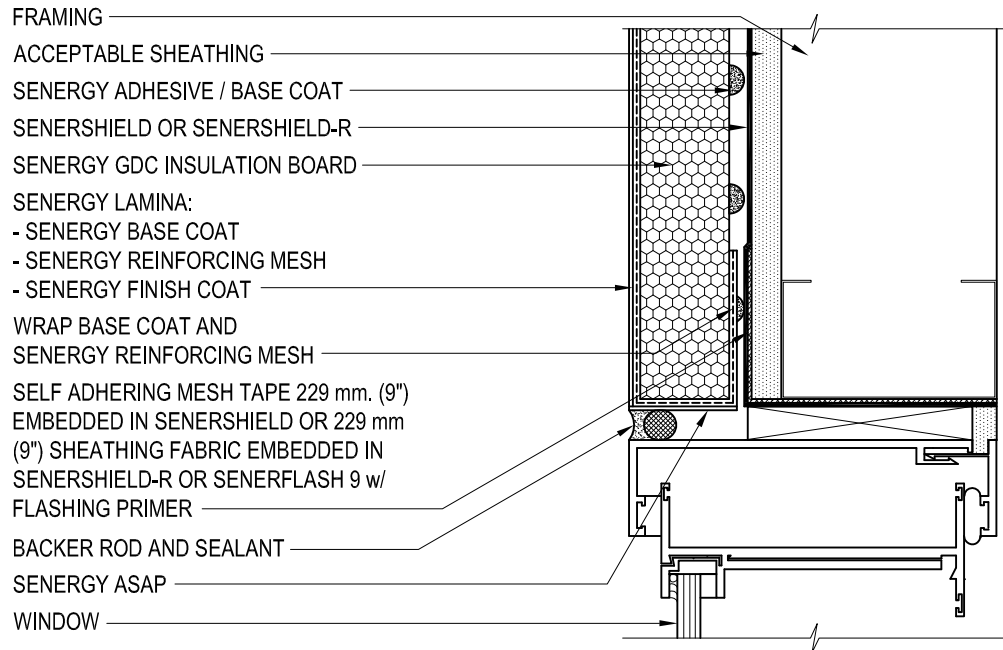


GDC-05 TYPICAL WINDOW HEAD (FLUSH)

NOTE: FRAMING, ACCEPTABLE SHEATHING, FLASHING, WINDOW AND SEALANT BY OTHERS

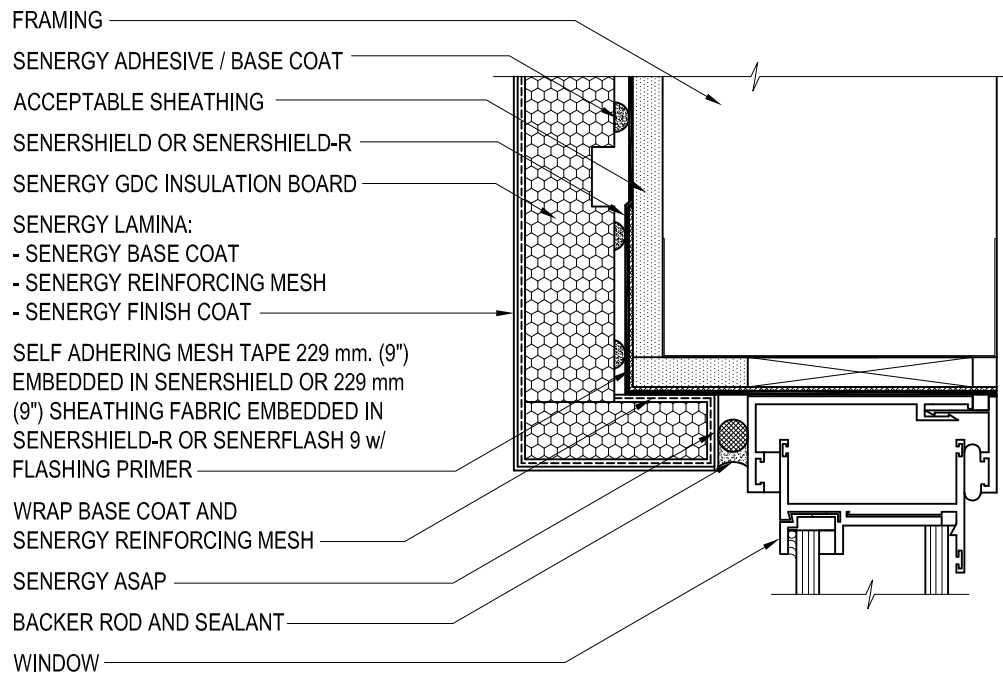


GDC-06 TYPICAL WINDOW HEAD (RECESSED)

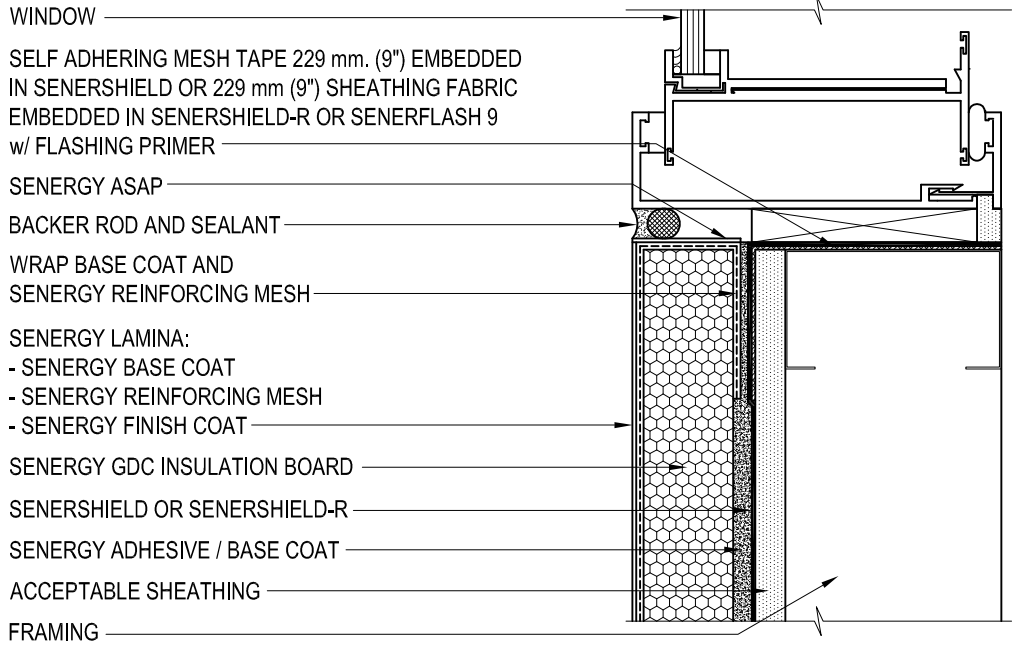


GDC-07 TYPICAL WINDOW JAMB (FLUSH)

NOTE: FRAMING, ACCEPTABLE SHEATHING, FLASHING, WINDOW AND SEALANT BY OTHERS

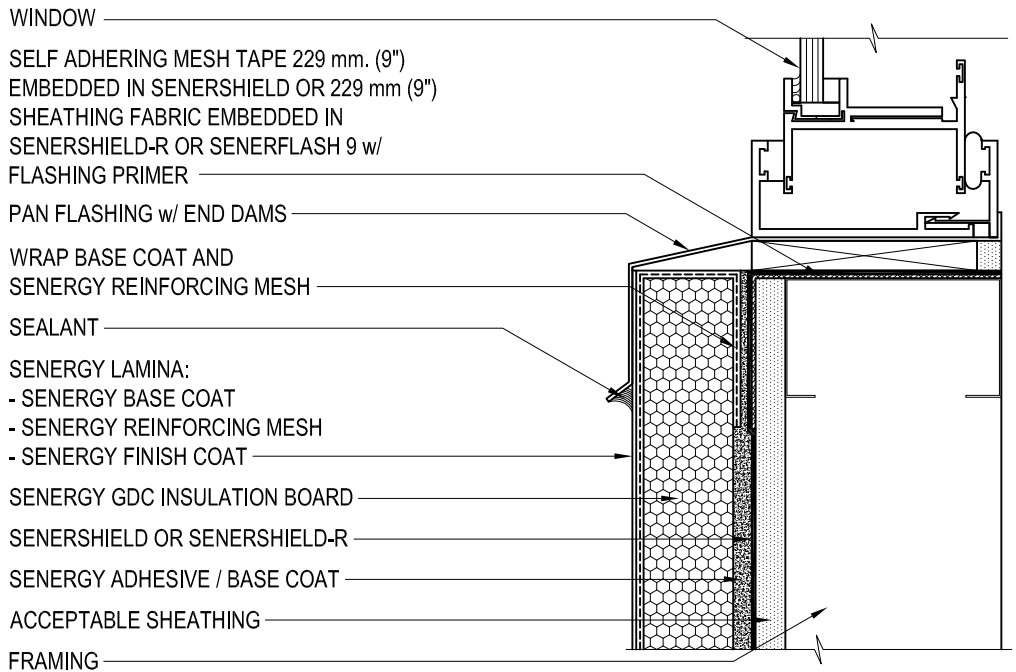


GDC-08 TYPICAL WINDOW JAMB (RECESSED)

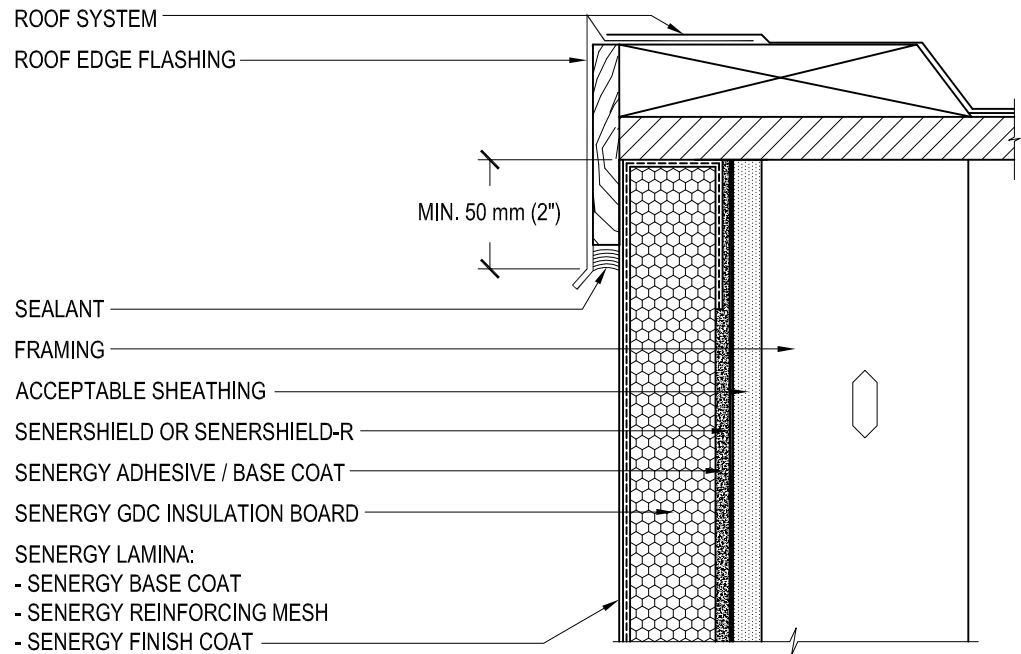


GDC-09 TYPICAL WINDOW SILL (FLUSH)

NOTE: FRAMING, ACCEPTABLE SHEATHING, FLASHING, WINDOW AND SEALANT BY OTHERS

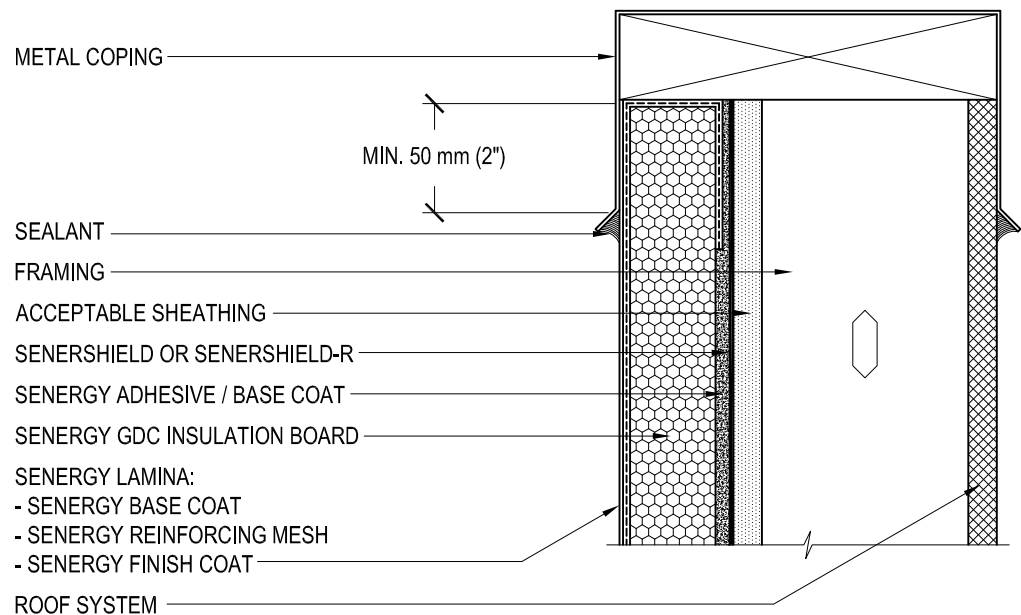


GDC-10 TYPICAL WINDOW SILL (RECESSED)



GDC-11 TYPICAL ROOF EDGE FLASHING DETAIL

NOTE: FRAMING, ACCEPTABLE SHEATHING, FLASHING AND SEALANT BY OTHERS



GDC-12 TYPICAL METAL COPING DETAIL

SELF ADHERING MESH TAPE 229 mm. (9")
EMBEDDED IN SENERSHIELD OR 229 mm
(9") SHEATHING FABRIC EMBEDDED IN
SENERSHIELD-R OR SENERFLASH 9 w/
FLASHING PRIMER

SENERGY DRAINAGE MAT 100 mm (4")

FASTENER

WRAP BASE COAT AND
SENERGY REINFORCING MESH

FRAMING

ACCEPTABLE SHEATHING

SENERSHIELD OR SENERSHIELD-R

SENERGY ADHESIVE / BASE COAT

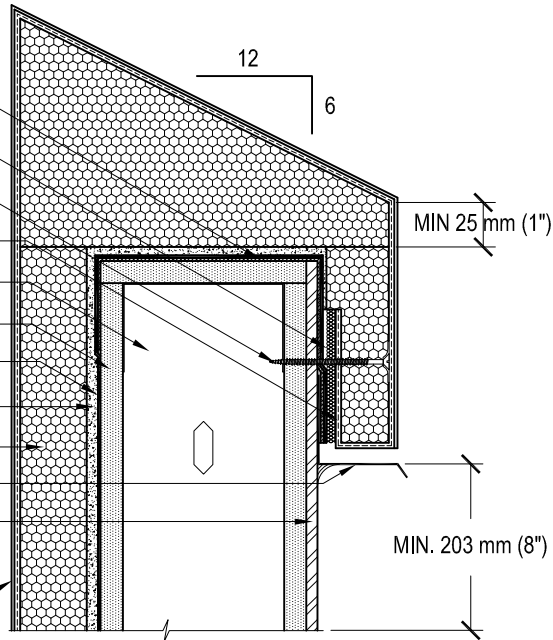
SENERGY GDC INSULATION BOARD

FLASHING AND SEALANT

ROOF SYSTEM

SENERGY LAMINA:

- SENERGY BASE COAT
- SENERGY REINFORCING MESH
- SENERGY FINISH COAT



GDC-13 TYPICAL PARAPET CAP DETAIL

NOTE: FRAMING, ACCEPTABLE SHEATHING, FLASHING AND SEALANT BY OTHERS

FLOOR SLAB

ACCEPTABLE SHEATHING

SENERSHIELD OR SENERSHIELD-R

SENERGY DRAINAGE MAT 100 mm (4")

FASTENER

WRAP BASE COAT AND
SENERGY REINFORCING MESH

SENERFLASH 9 w/ FLASHING PRIMER

SENERGY ASAP

WIDTH PER DESIGN

BACKER ROD AND SEALANT

FRAMING

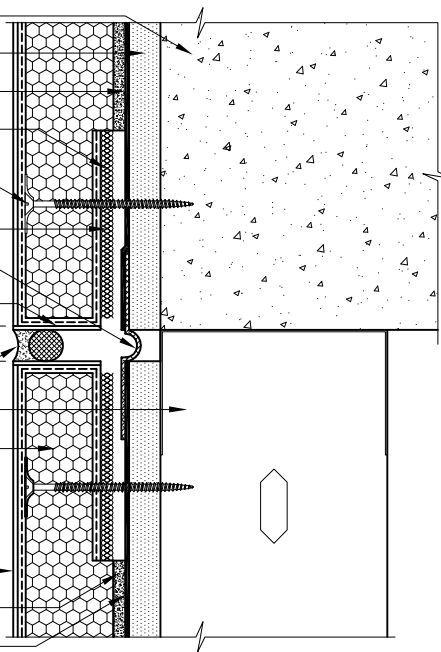
SENERGY GDC INSULATION BOARD

SENERGY LAMINA:

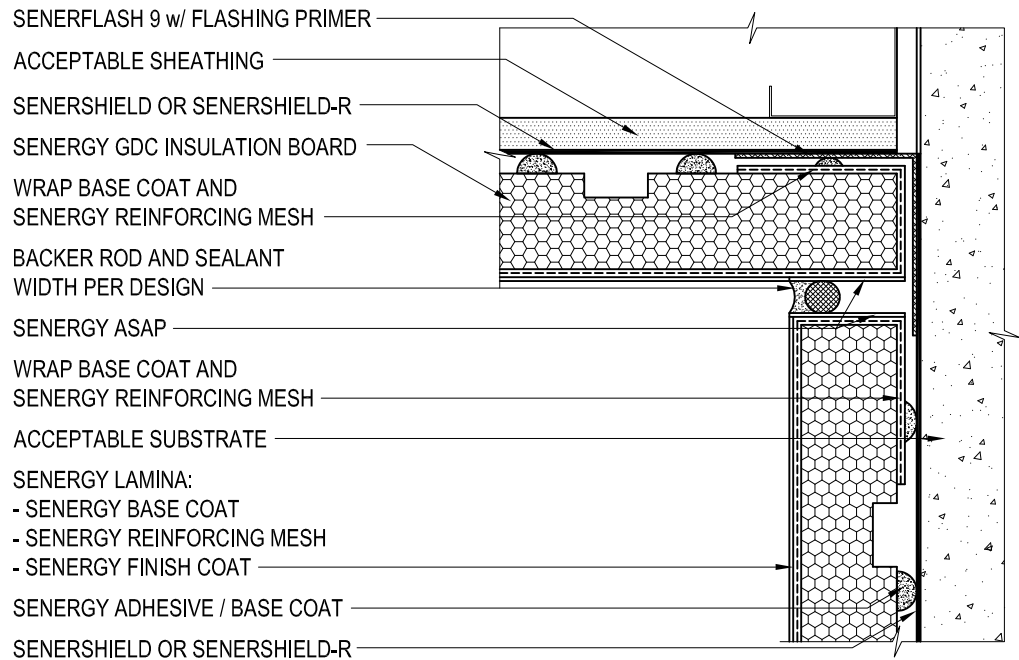
- SENERGY BASE COAT
- SENERGY REINFORCING MESH
- SENERGY FINISH COAT

SENERGY ADHESIVE / BASE COAT

SENERSHIELD OR SENERSHIELD-R

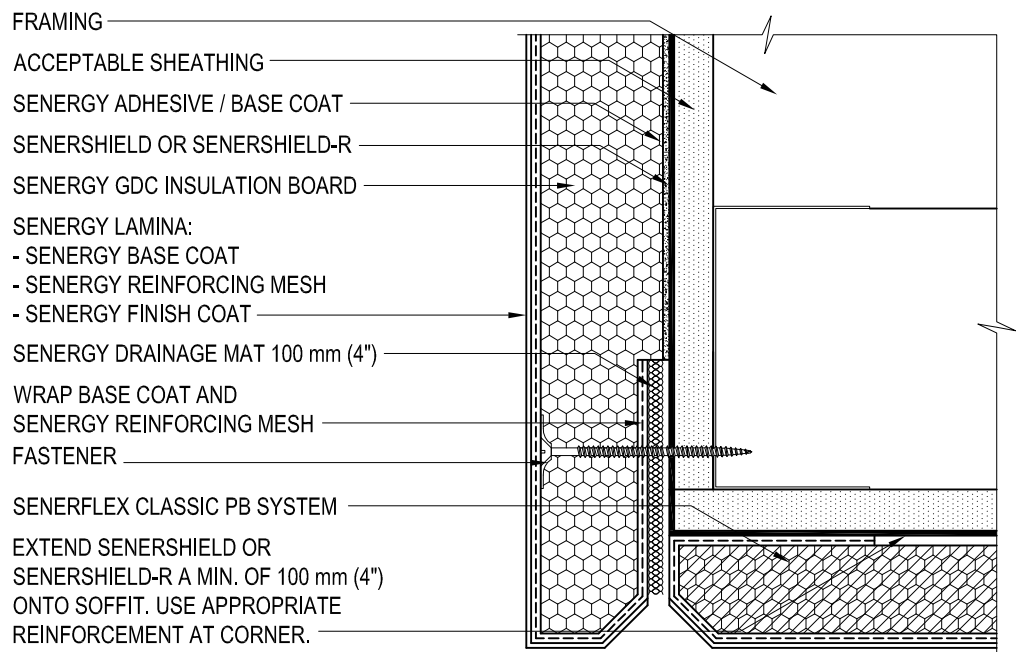


GDC-14 TYPICAL EXPANSION JOINT AT FLOORLINE DETAIL

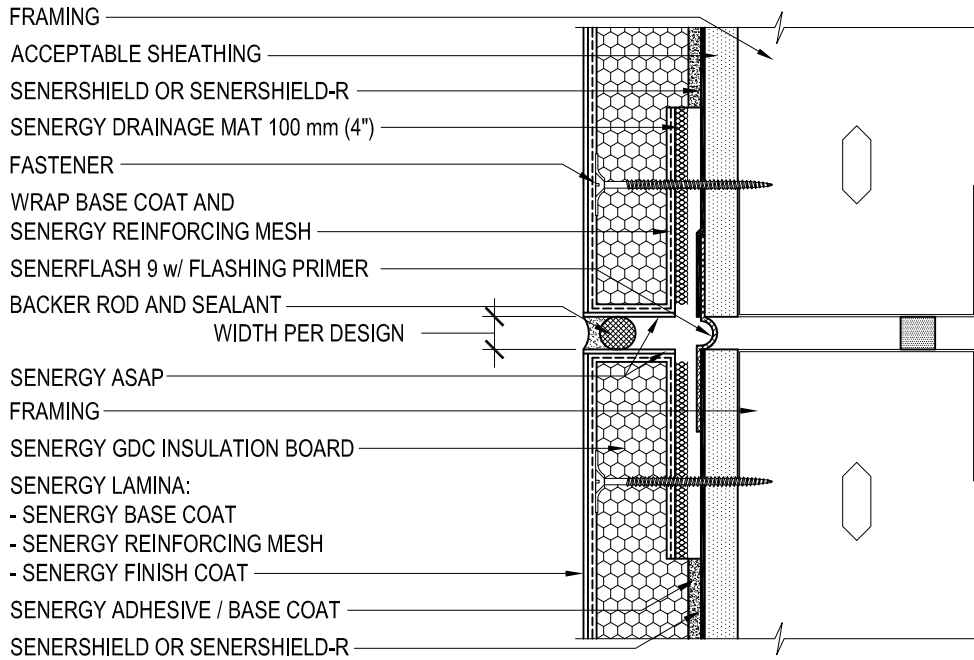


GDC-15 TYPICAL EXPANSION JOINT AT CHANGE IN SUBSTRATE

NOTE: FRAMING, ACCEPTABLE SHEATHING, FLASHING AND SEALANT BY OTHERS

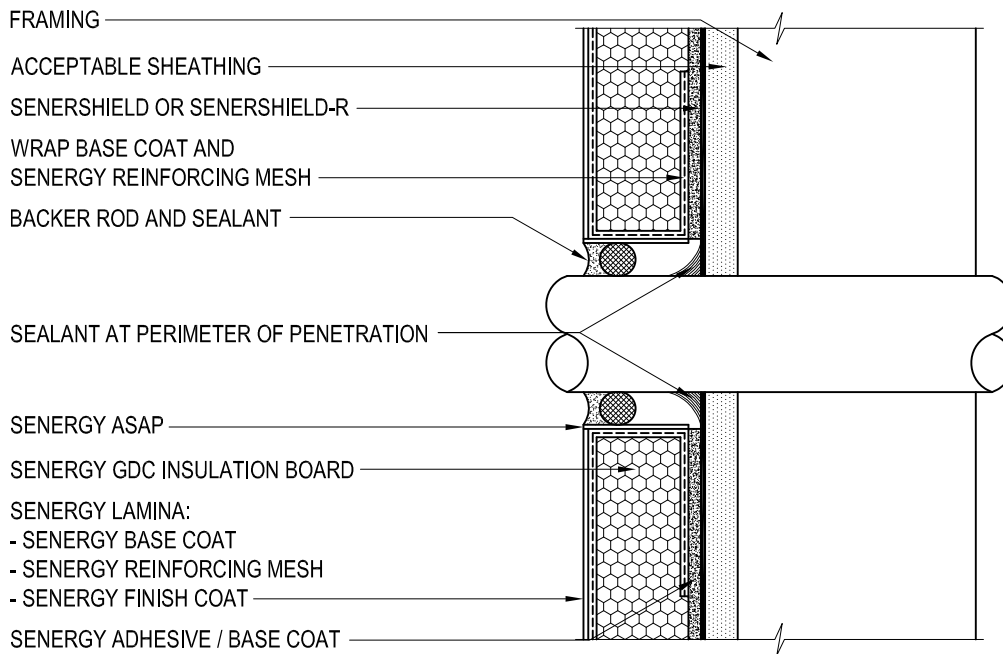


GDC-16 TYPICAL SECTION AT FASCIA / SOFFIT



GDC-17 TYPICAL EXPANSION JOINT DETAIL

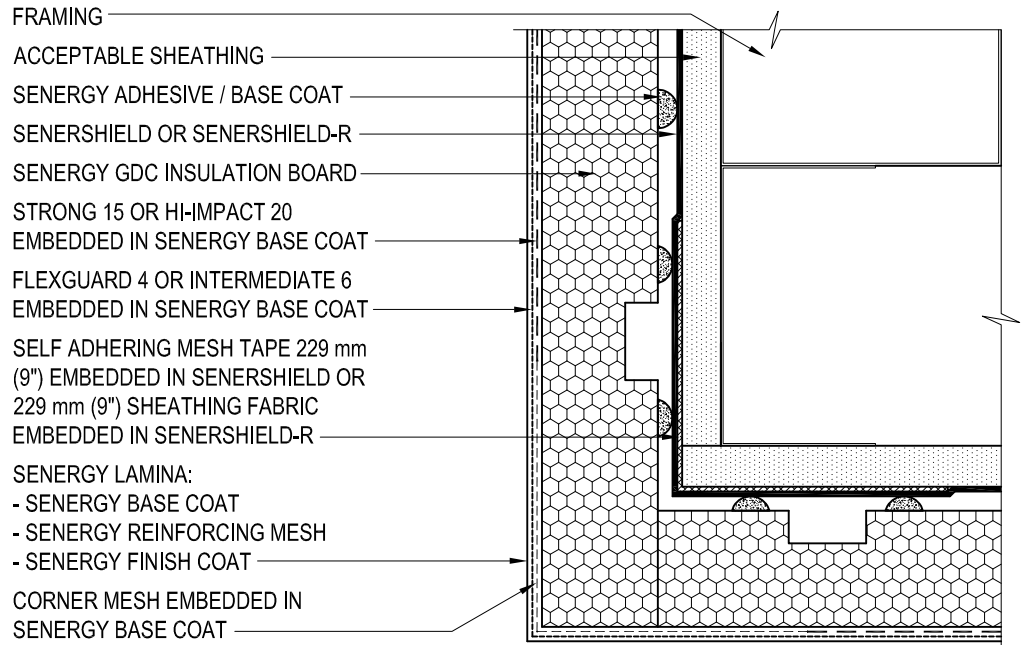
NOTE: FRAMING, ACCEPTABLE SHEATHING, FLASHING AND SEALANT BY OTHERS



GDC-18 TYPICAL PIPE PENETRATION

NOTE:

- BUTT EDGE OF STRONG 15 OR HI-IMPACT 20 TO CORNER MESH
- A CONTINUOUS OVERLAY OF FLEXGUARD 4 OR INTERMEDIATE 6 IS REQUIRED OVER STRONG 15, HI-IMPACT 20 OR CORNER MESH

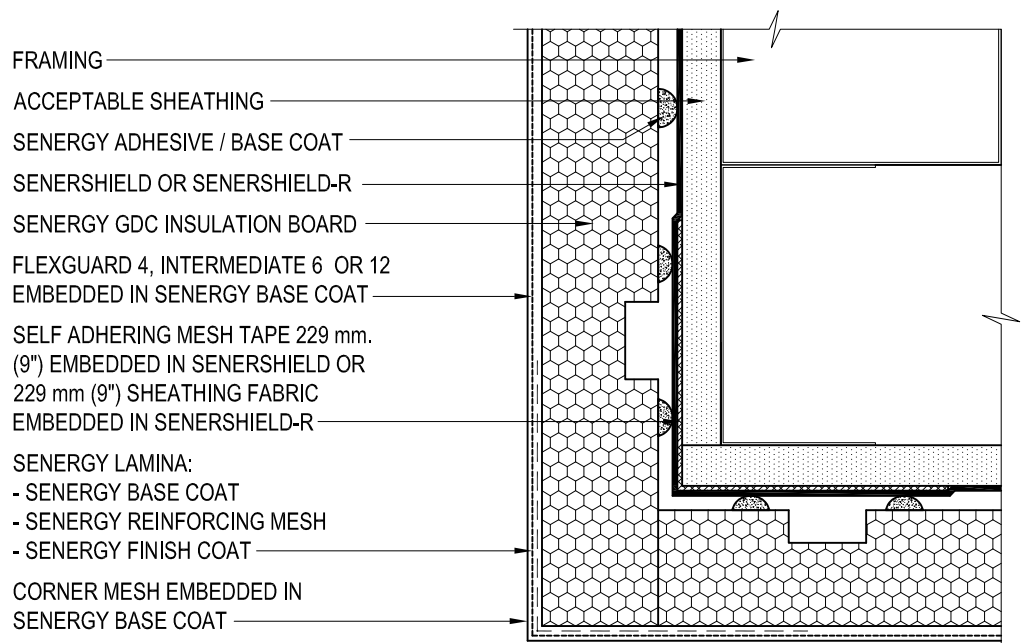


GDC-19 TYPICAL CORNER MESH APPLICATION WITH STRONG 15 OR HI-IMPACT 20 (PLAN VIEW)

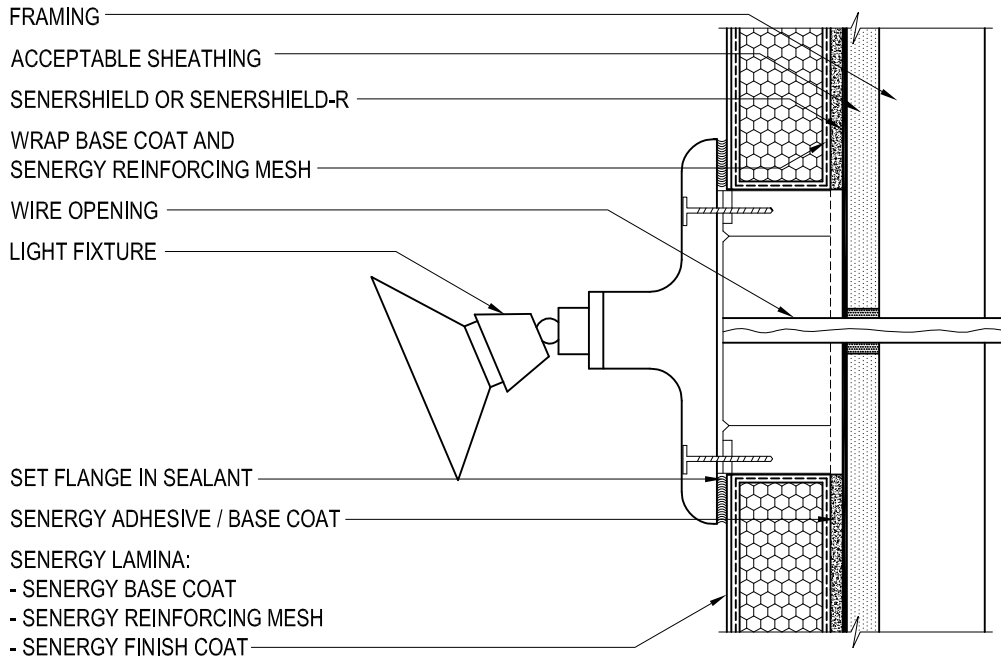
NOTE: FRAMING, ACCEPTABLE SHEATHING, FLASHING AND SEALANT BY OTHERS

NOTE:

- A CONTINUOUS OVERLAY OF FLEXGUARD 4, INTERMEDIATE 6 OR 12 IS REQUIRED OVER CORNER MESH

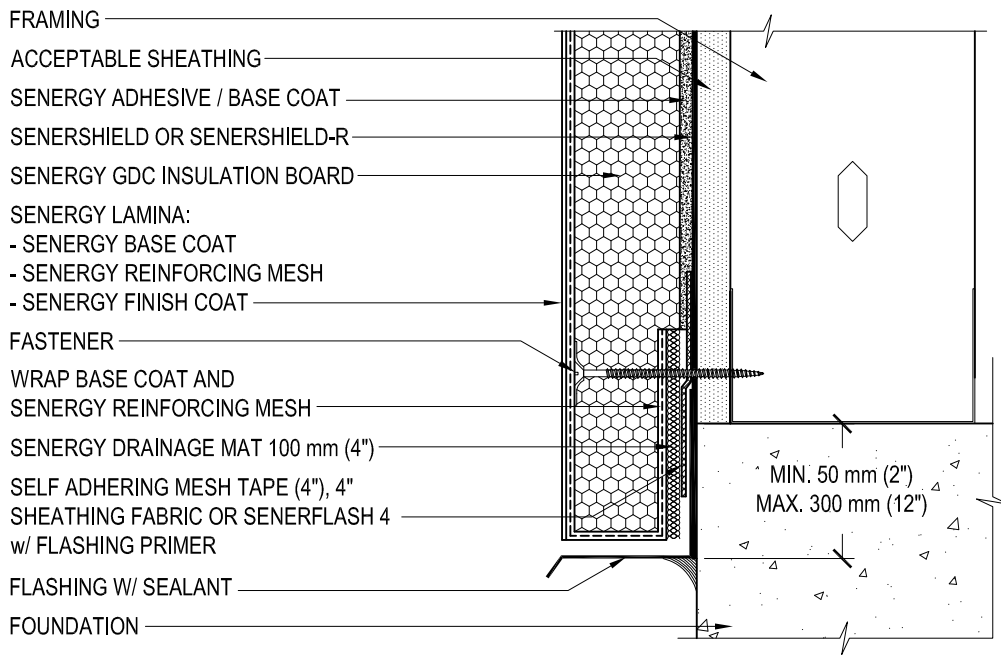


GDC-20 TYPICAL CORNER MESH APPLICATION WITH FLEXGUARD 4, INTERMEDIATE 6 OR 12 (PLAN VIEW)



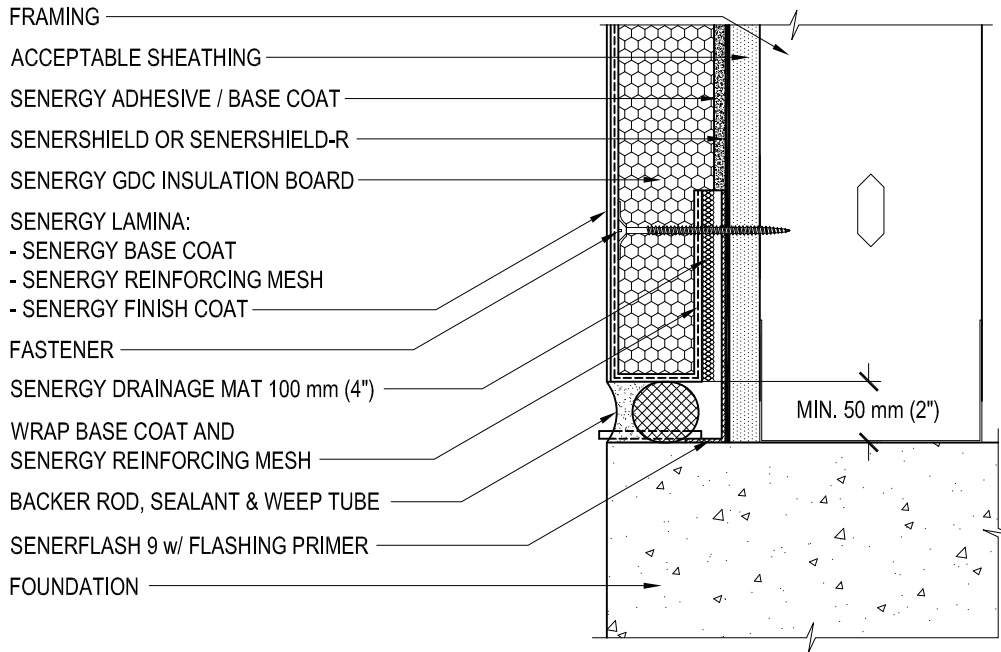
GDC-21 TYPICAL LIGHT FIXTURE

NOTE: FRAMING, ACCEPTABLE SHEATHING, FLASHING AND SEALANT BY OTHERS



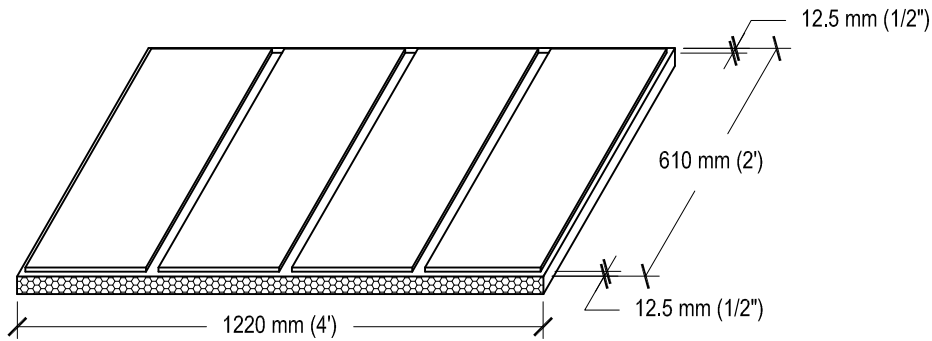
GDC-22 TYPICAL TERMINATION AT FOUNDATION

NOTE: TERMINATE SENERFLEX GDC WALL SYSTEM MIN 203 mm (8'') ABOVE GRADE

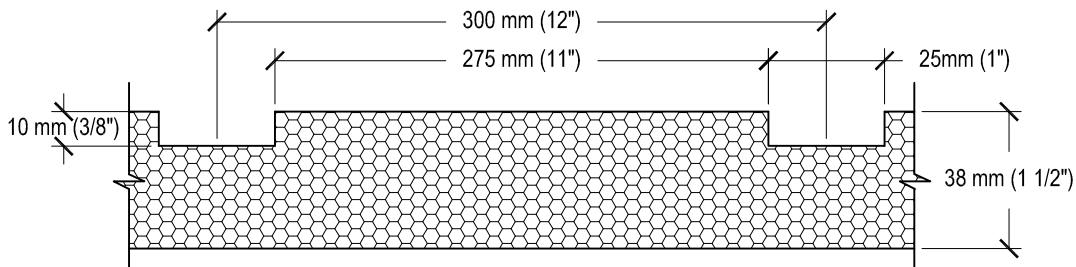


GDC-23 TYPICAL TERMINATION AT FOUNDATION (FLUSH)

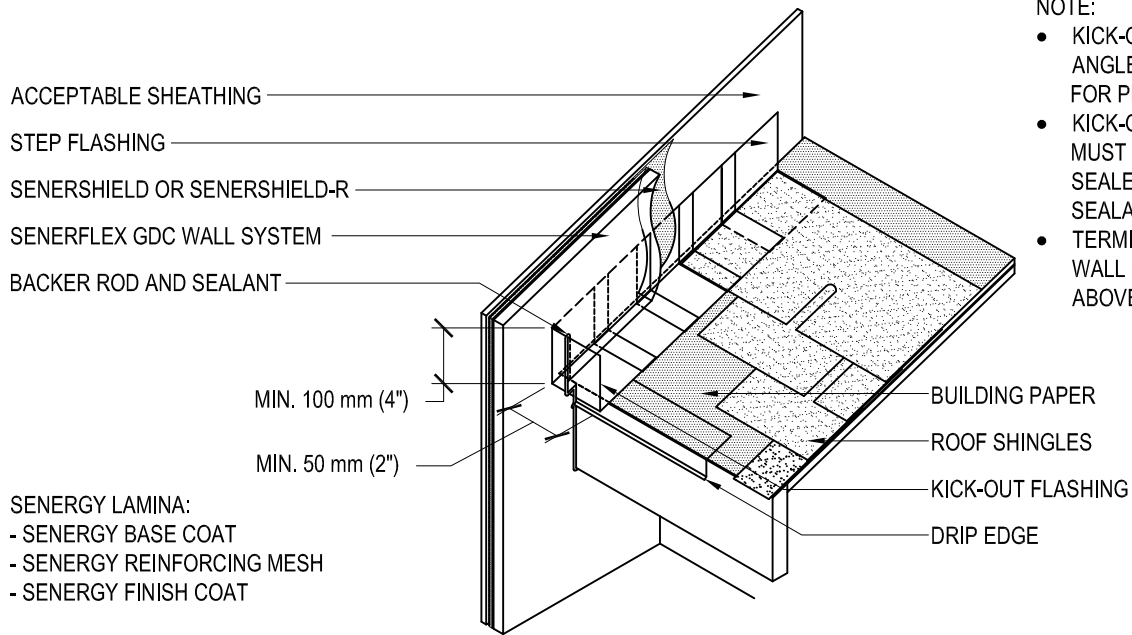
NOTE: FRAMING, ACCEPTABLE SHEATHING, FLASHING AND SEALANT BY OTHERS



NOTE: BOARD END GROOVES ARE HALF WIDTH - 12.5 mm (1/2")



GDC-24 TYPICAL GDC INSULATION BOARD PROFILE



- NOTE:
- KICK-OUT FLASHING MUST BE ANGLED 100° MIN. TO ALLOW FOR PROPER DRAINAGE.
 - KICK-OUT FLASHING SEAMS MUST BE SOLDERED OR SEALED WITH APPROPRIATE SEALANT.
 - TERMINATE SENERFLEX GDC WALL SYSTEM MIN. 50 mm (2") ABOVE ROOF.

GDC-25 TYPICAL KICKOUT FLASHING DETAIL

NOTE: FRAMING, ACCEPTABLE SHEATHING, FLASHING AND SEALANT BY OTHERS

Notes

Technical Support

Consult our Technical Services Department (1-800-221-9255) for specific recommendations concerning all other applications.

Note:

BASF Wall Systems is an operating unit of BASF Corporation (herein after referred to as "BASF Wall Systems")

These details represent BASF Wall Systems' latest recommendations. They are presented in good faith by BASF Wall Systems. These details are subject to change without notice. BASF Wall Systems accepts no liability for the end use of these details. For conditions not shown, consult BASF Wall Systems for review of specific details.

Disclaimer

This information and all further technical advice are based on BASF's present knowledge and experience. However, BASF assumes no liability for providing such information and advice including the extent to which such information and advice may relate to existing third party intellectual property rights, especially patent rights. In particular, BASF disclaims all CONDITIONS AND WARRANTIES, WHETHER EXPRESS OR IMPLIED, INCLUDING THE IMPLIED WARRANTIES OF FITNESS FOR A PARTICULAR PURPOSE OR MERCHANTABILITY. BASF SHALL NOT BE RESPONSIBLE FOR CONSEQUENTIAL, INDIRECT OR INCIDENTAL DAMAGES (INCLUDING LOSS OF PROFITS) OF ANY KIND. BASF reserves the right to make any changes according to technological progress or further developments. It is the customer's responsibility and obligation to carefully inspect and test any incoming goods. Performance of the product(s) described herein should be verified by testing and carried out only by qualified experts. It is the sole responsibility of the customer to carry out and arrange for any such testing. Reference to trade names used by other companies is neither a recommendation, nor an endorsement of any product and does not imply that similar products could not be used.

Residential Policy

Apply walls systems in accordance with local building codes in force at the time of construction. On one and two-family residential framed construction, BASF Wall Systems requires that the wall system selected be one that includes provisions for moisture drainage. Please view the *Senergy Residential Policy Bulletin* on the Senergy website for a more detailed discussion of this topic.

BASF Wall Systems

3550 St. Johns Bluff Road South
Jacksonville, FL 32224-2614
Phone 800 • 221 • 9255
Fax 904 • 996 • 6300
www.senergy.basf.com