



Senenergy® Cement-Board Stucco™ Systems

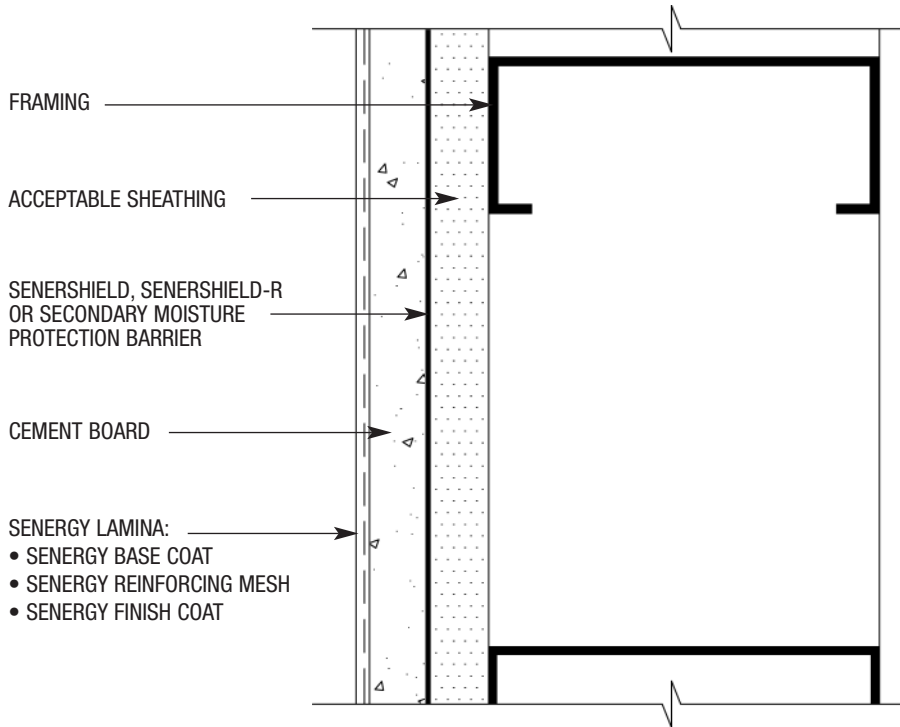


TYPICAL DETAILS 1021100

1. Cement-Board Stucco 1000 System Design Application (Plan View)
2. Cement-Board Stucco 1000 System Design Application (Isometric View)
3. Cement-Board Stucco 500 System Design Application (Plan View)
4. Cement-Board Stucco 500 System Design Application (Isometric View)
5. Clad Window Jamb (Plan View)
6. Clad Window Head
7. Clad Window Sill
8. Primed Window Head
9. Primed Window Jamb (Plan View)
10. Horizontal Expansion Joint at Floorline Wood Frame Construction
11. Control Joint — Reveal 1
12. Control Joint — Reveal 2
13. Control Joint — Reveal 3
14. Termination at Soffit / Gable End
15. Downspout Application (Plan View)
16. Pipe Penetration
17. Light Fixture
18. Dryer Vent
19. Termination at Foundation
20. Termination at Top of Deck
21. Termination at Bottom of Deck
22. Metal Coping Detail
23. EPS Shape Application
24. Corner Detail (Plan View)
25. Fascia / Soffit
26. Kick-out Flashing

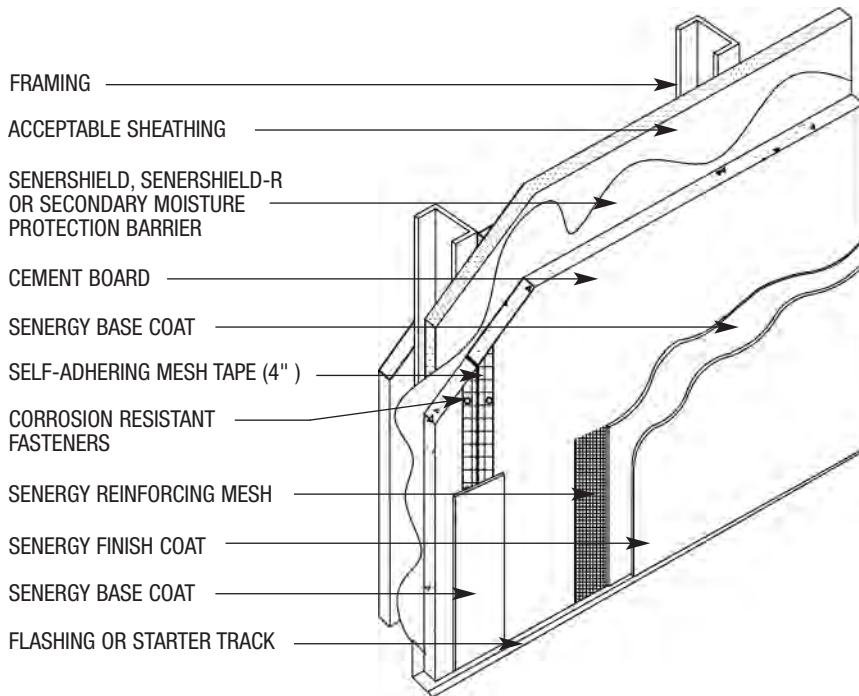


The Chemical Company

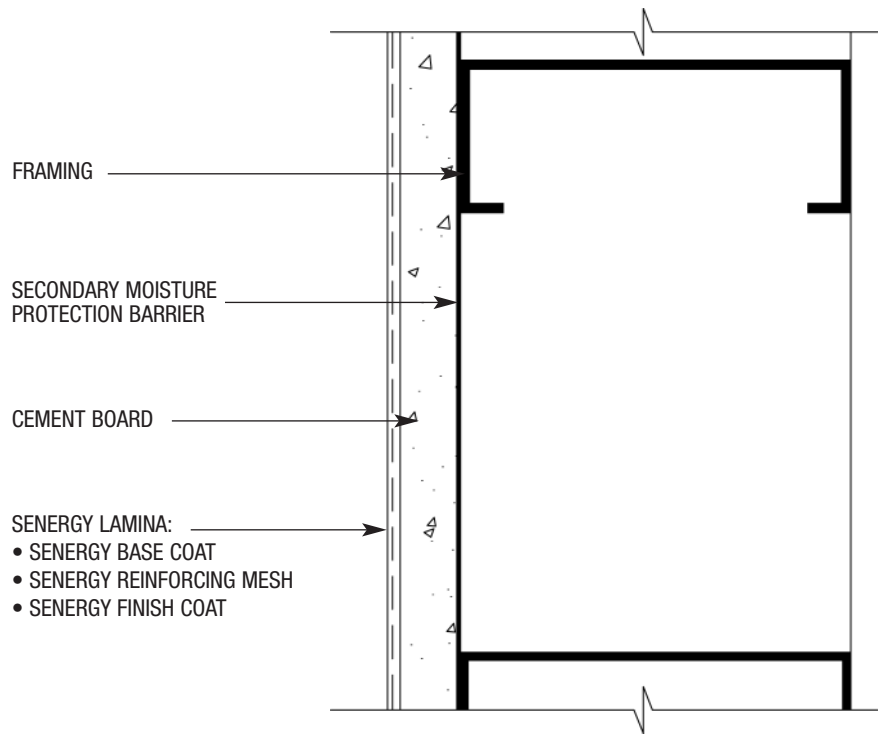


CBS-01 TYPICAL CEMENT-BOARD STUCCO 1000 SYSTEM DESIGN APPLICATION (PLAN VIEW)

NOTE: FRAMING, ACCEPTABLE SHEATHING AND SEALANT BY OTHERS

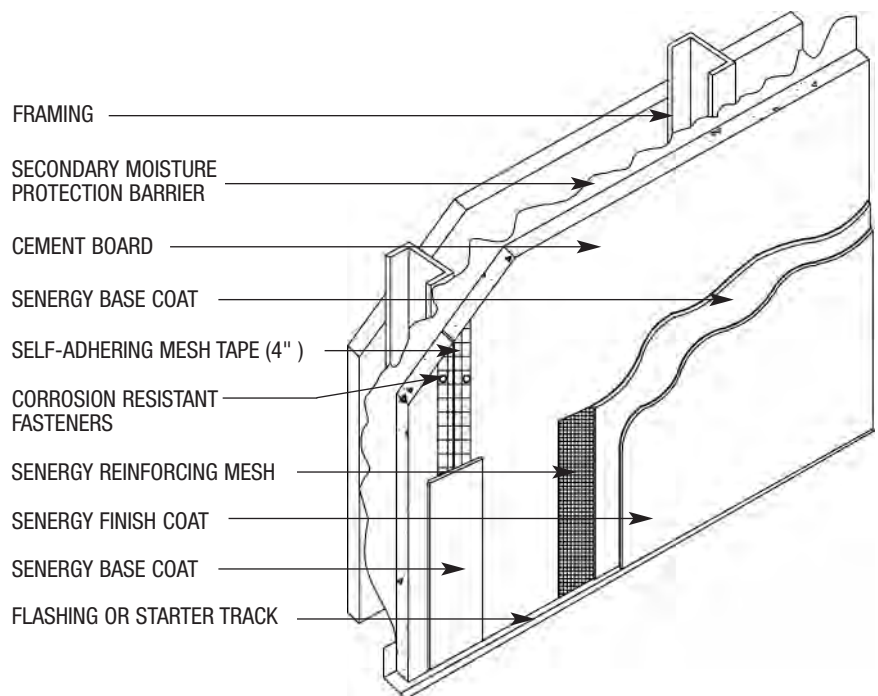


CBS-02 TYPICAL CEMENT-BOARD STUCCO 1000 SYSTEM DESIGN APPLICATION (ISOMETRIC VIEW)

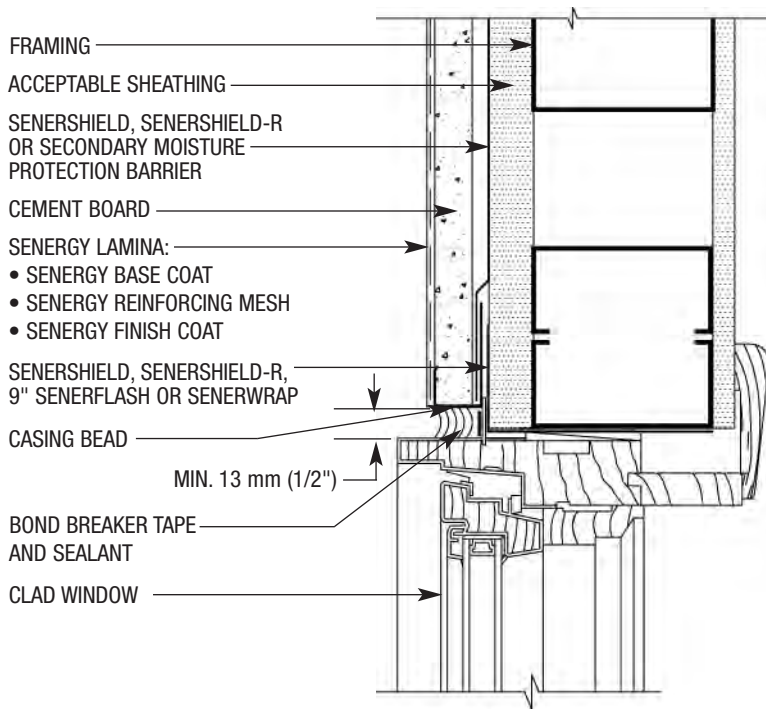


CBS-03 TYPICAL CEMENT-BOARD STUCCO 500 SYSTEM DESIGN APPLICATION (PLAN VIEW)

NOTE: FRAMING, ACCEPTABLE SHEATHING AND SEALANT BY OTHERS

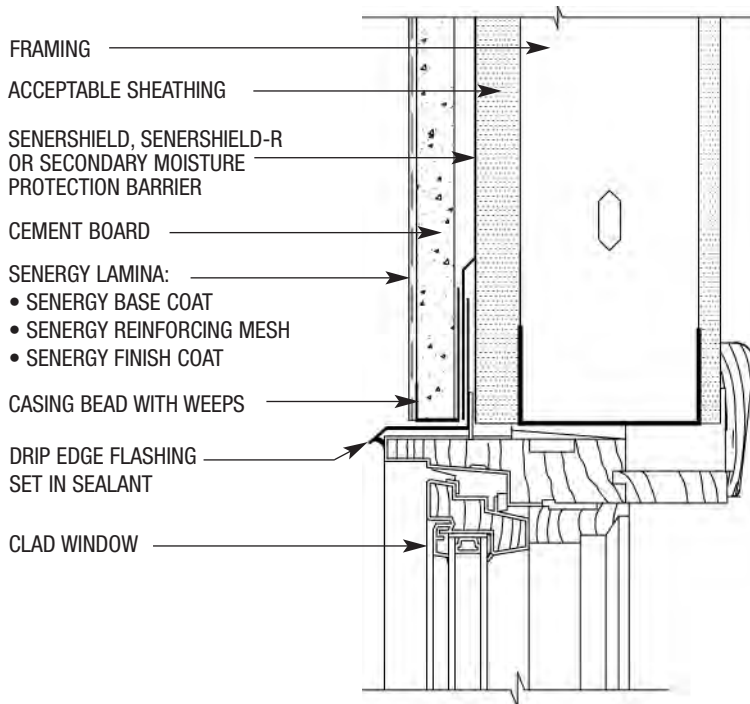


CBS-04 TYPICAL CEMENT-BOARD STUCCO 500 SYSTEM APPLICATION (ISOMETRIC VIEW)

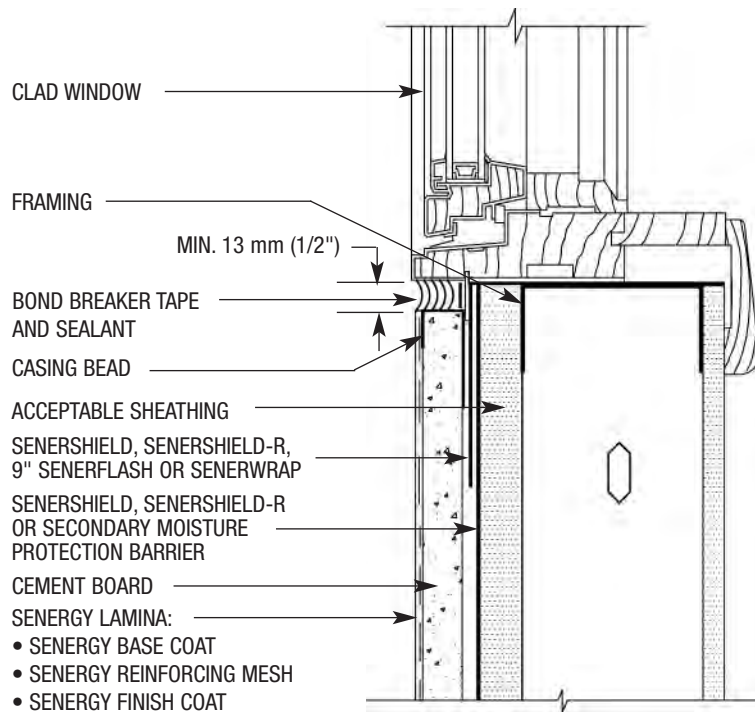


CBS-05 TYPICAL CLAD WINDOW JAMB DETAIL (PLAN VIEW)

NOTE: FRAMING, ACCEPTABLE SHEATHING AND SEALANT BY OTHERS

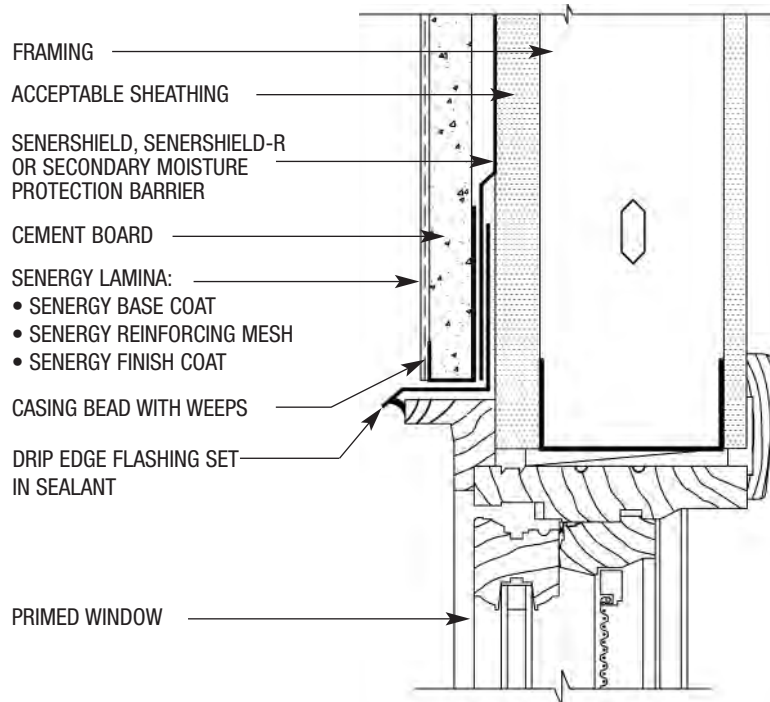


CBS-06 TYPICAL CLAD WINDOW HEAD DETAIL

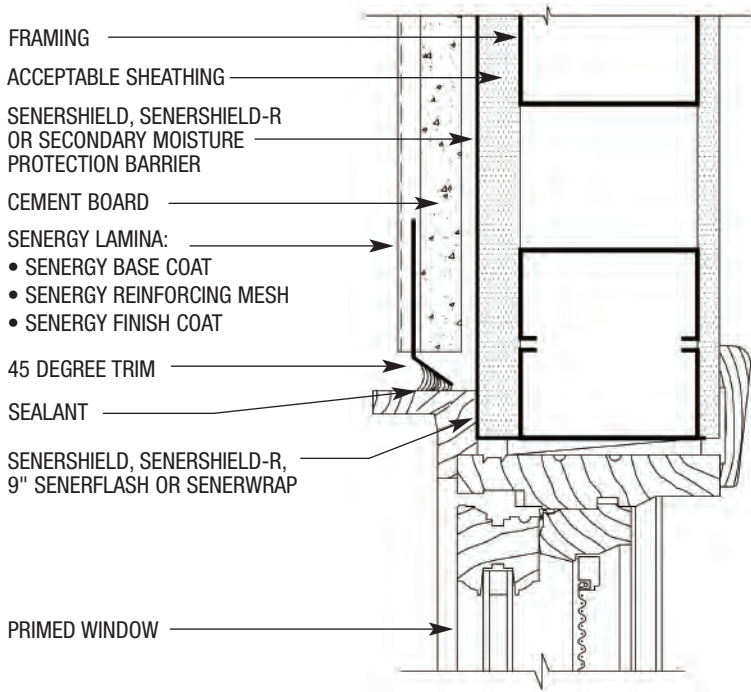


CBS-07 TYPICAL CLAD WINDOW SILL DETAIL

NOTE: FRAMING, ACCEPTABLE SHEATHING AND SEALANT BY OTHERS

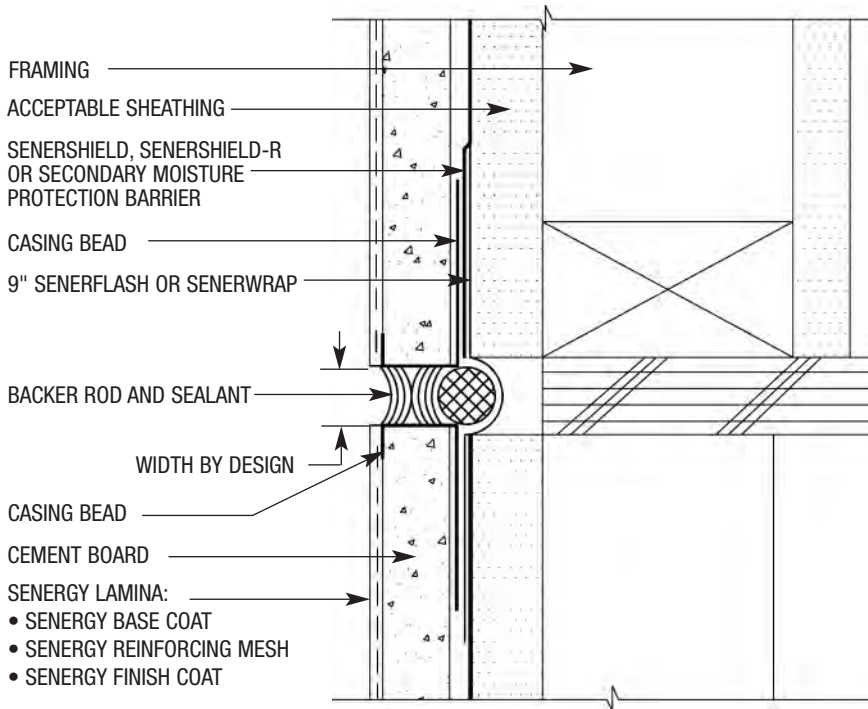


CBS-08 TYPICAL PRIMED WINDOW HEAD DETAIL

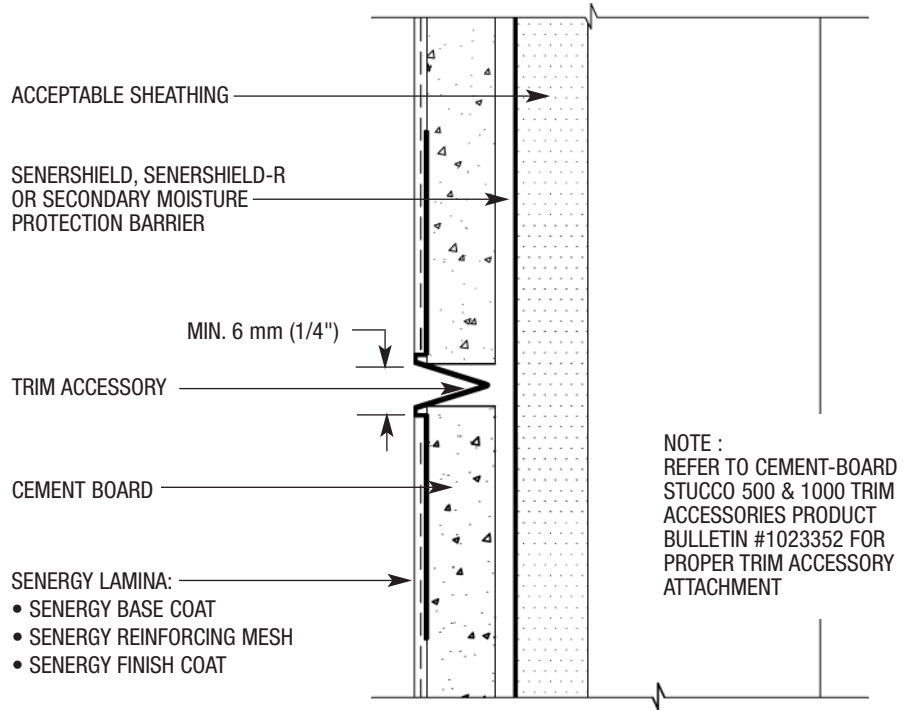


CBS-09 TYPICAL PRIMED WINDOW JAMB (PLAN VIEW)

NOTE: FRAMING, ACCEPTABLE SHEATHING AND SEALANT BY OTHERS

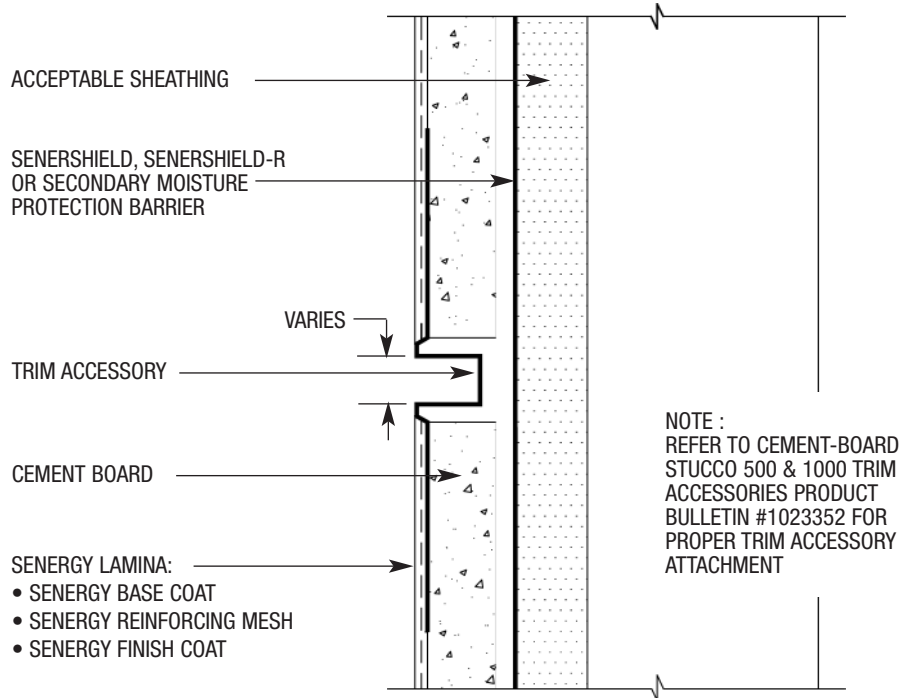


CBS-10 TYPICAL HORIZONTAL EXPANSION JOINT AT FLOORLINE WOOD FRAME CONSTRUCTION

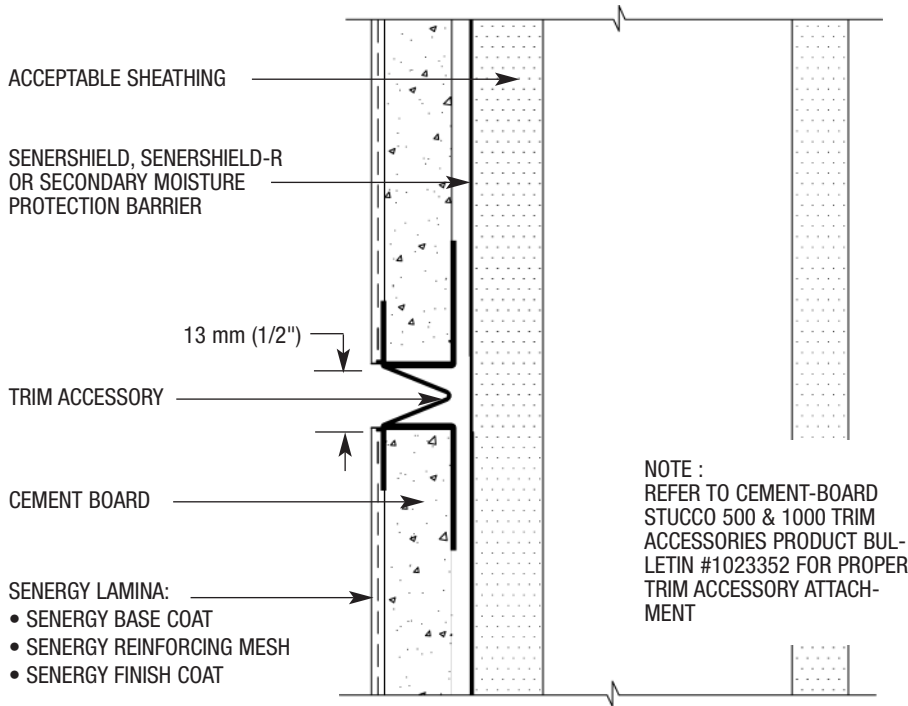


NOTE: FRAMING, ACCEPTABLE SHEATHING
AND SEALANT BY OTHERS

CBS-11 CONTROL JOINT—REVEAL 1

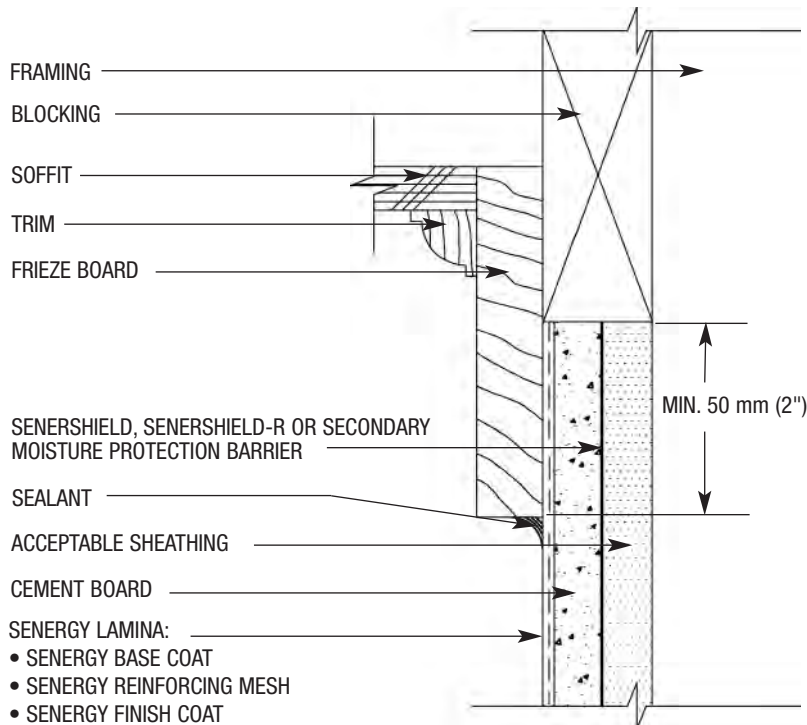


CBS-12 CONTROL JOINT—REVEAL 2

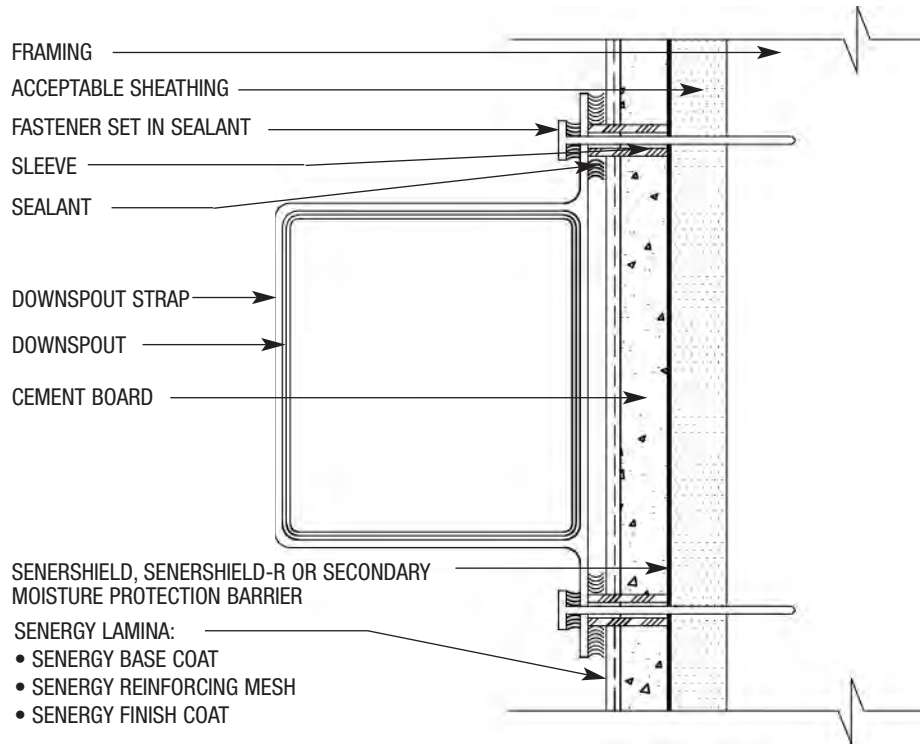


CBS-13 CONTROL JOINT — REVEAL 3

NOTE: FRAMING, ACCEPTABLE SHEATHING AND SEALANT BY OTHERS

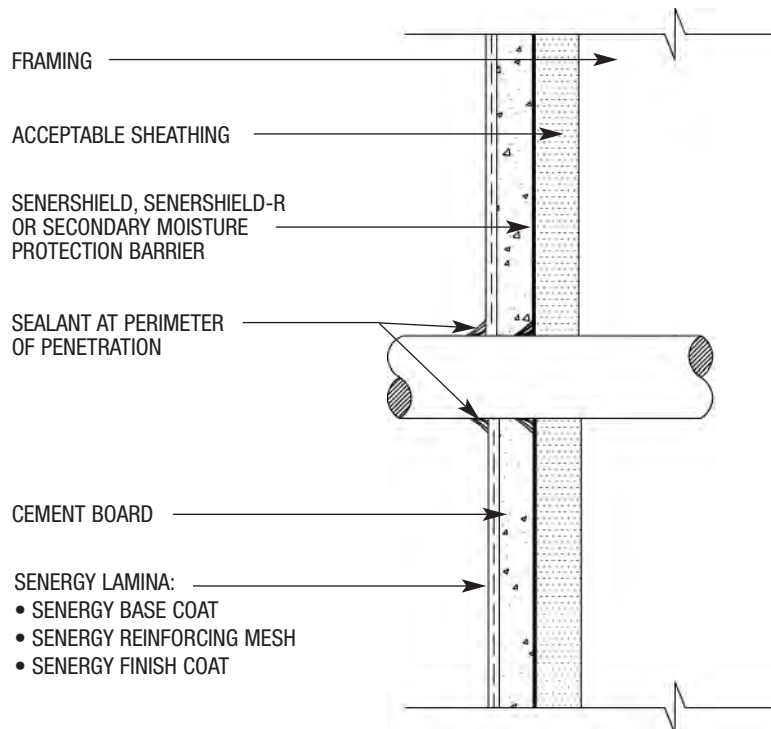


CBS-14 TYPICAL TERMINATION AT SOFFIT/GABLE END

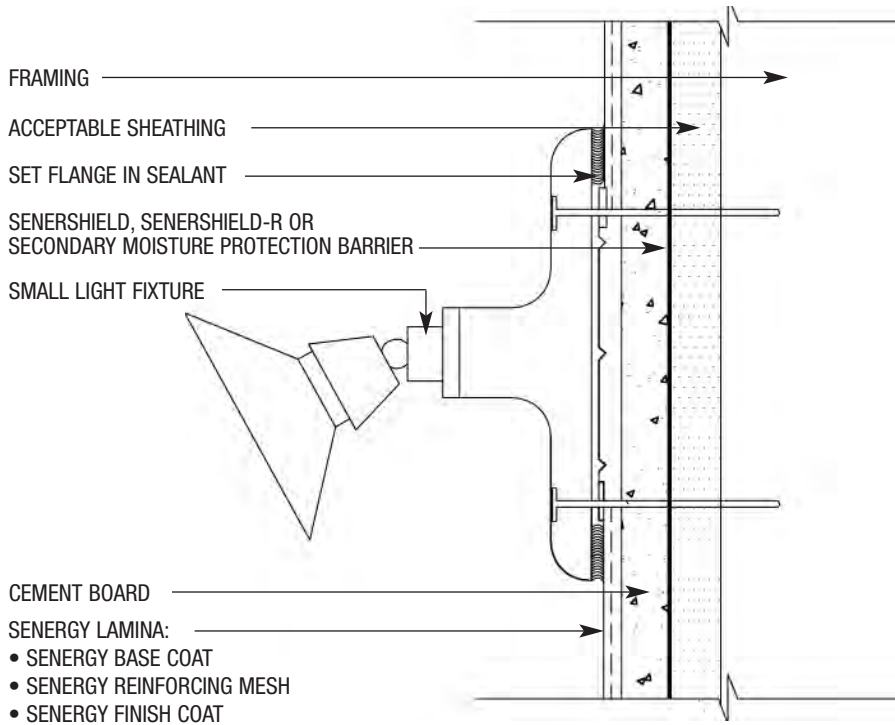


CBS-15 TYPICAL DOWNSPOUT APPLICATION (PLAN VIEW)

NOTE: FRAMING, ACCEPTABLE SHEATHING
AND SEALANT BY OTHERS

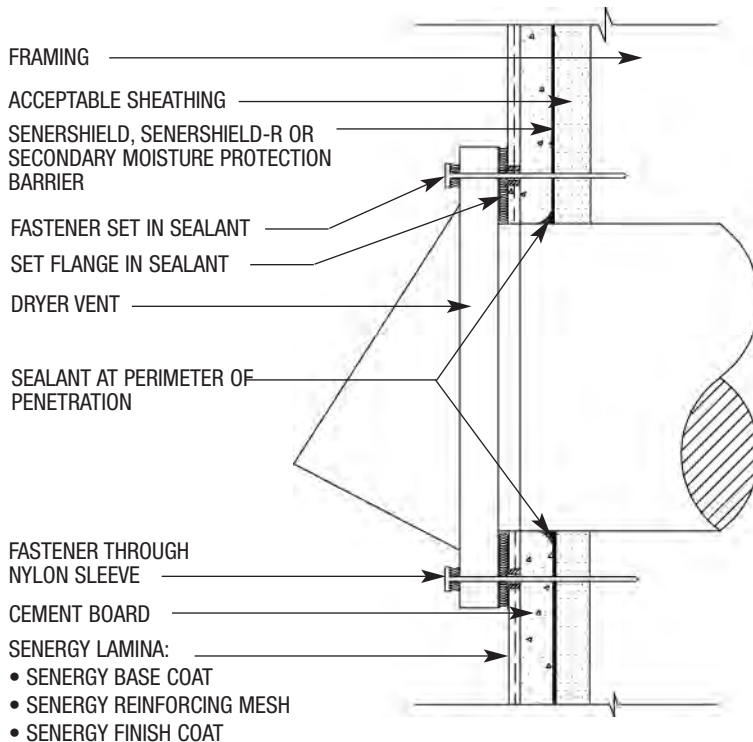


CBS-16 TYPICAL PIPE PENETRATION

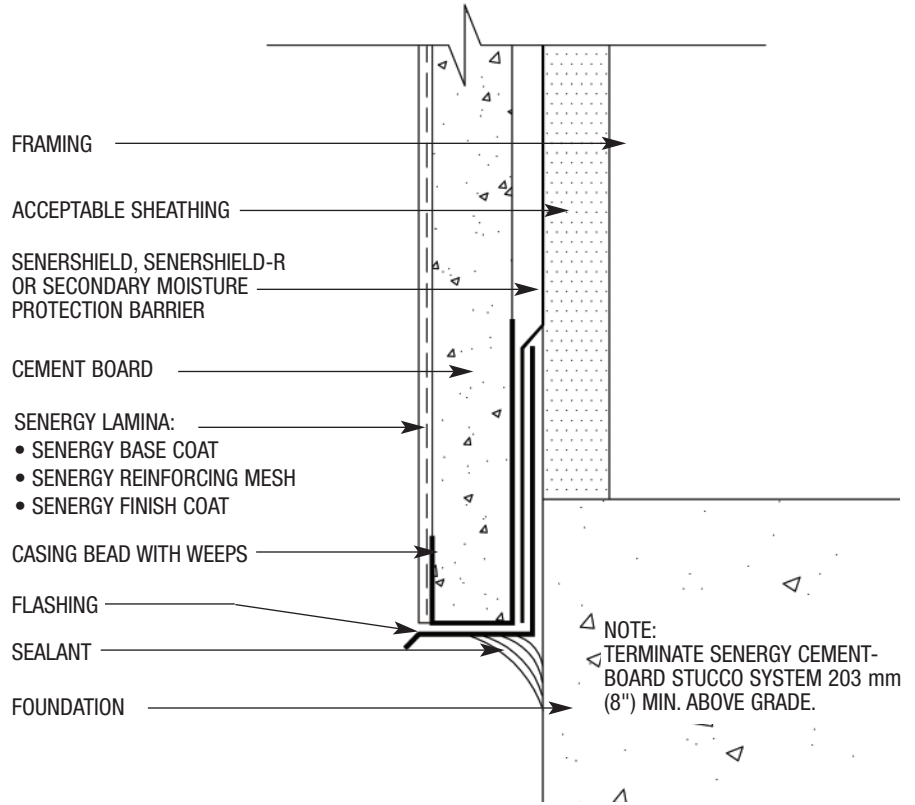


CBS-17 TYPICAL LIGHT FIXTURE

NOTE: FRAMING, ACCEPTABLE SHEATHING AND SEALANT BY OTHERS

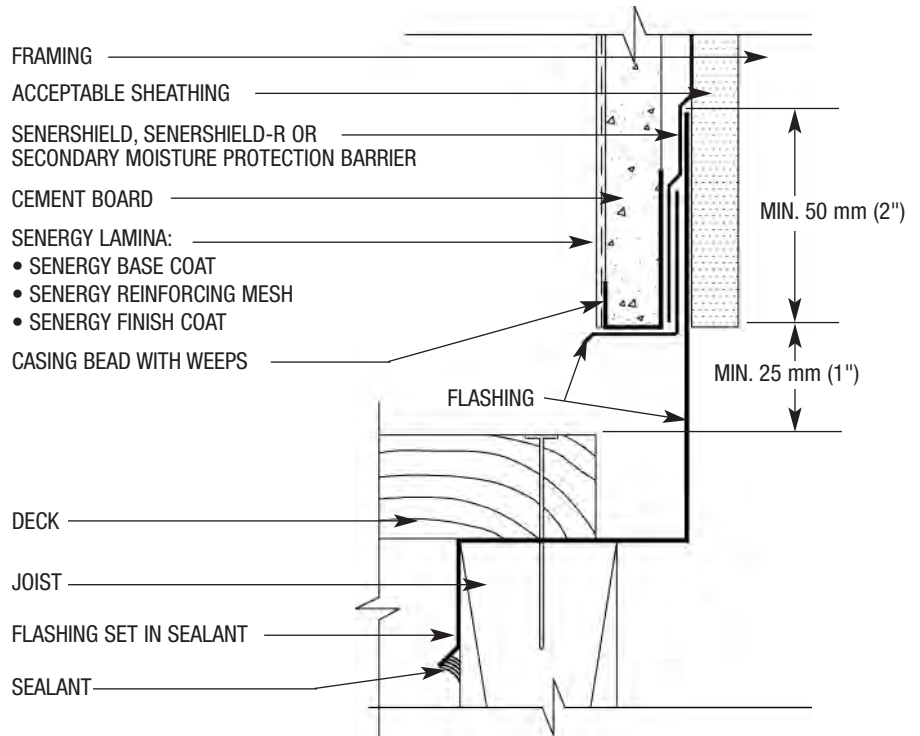


CBS-18 TYPICAL DRYER VENT

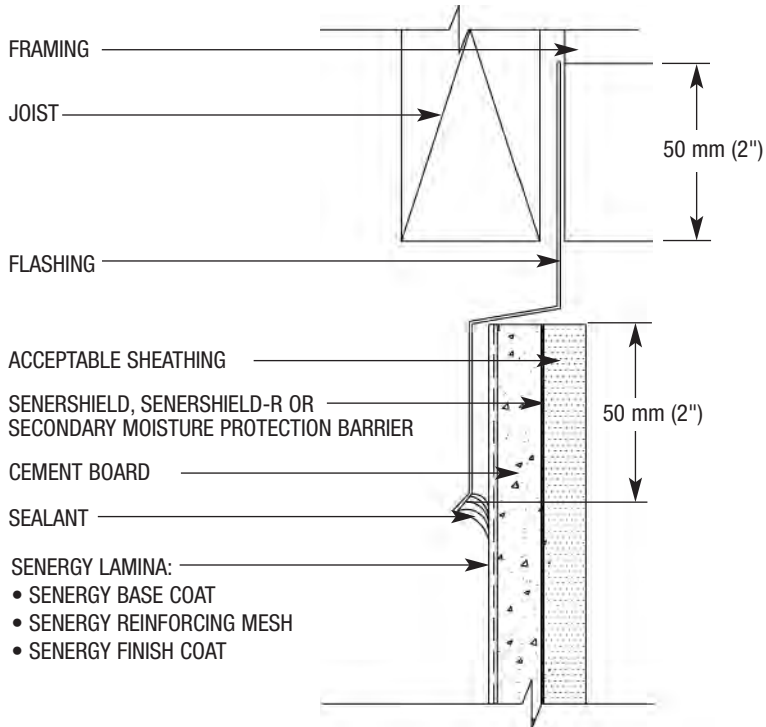


CBS-19 TYPICAL TERMINATION AT FOUNDATION

NOTE: FRAMING, ACCEPTABLE SHEATHING AND SEALANT BY OTHERS

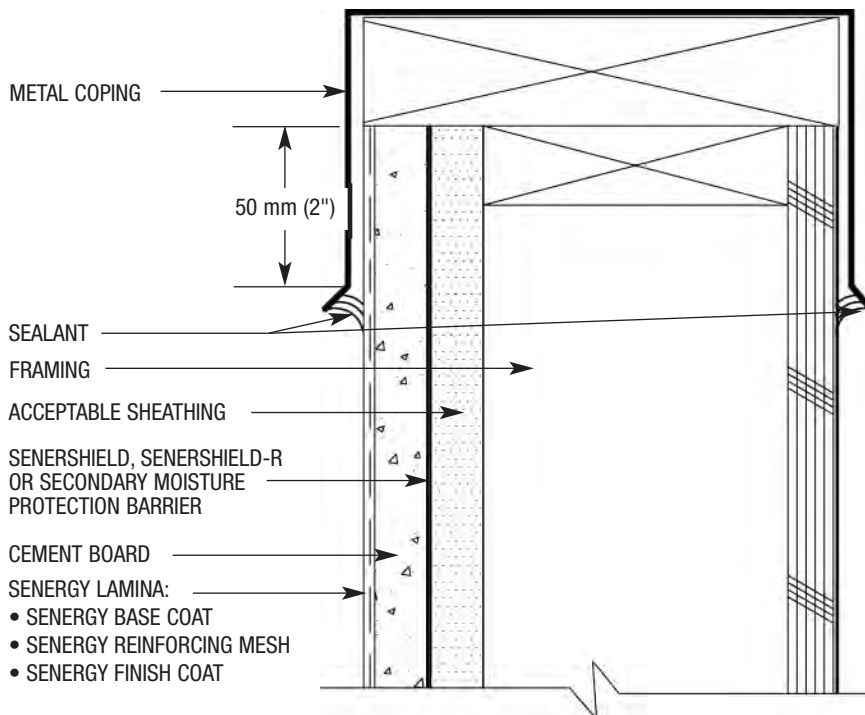


CBS-20 TYPICAL TERMINATION AT TOP OF DECK

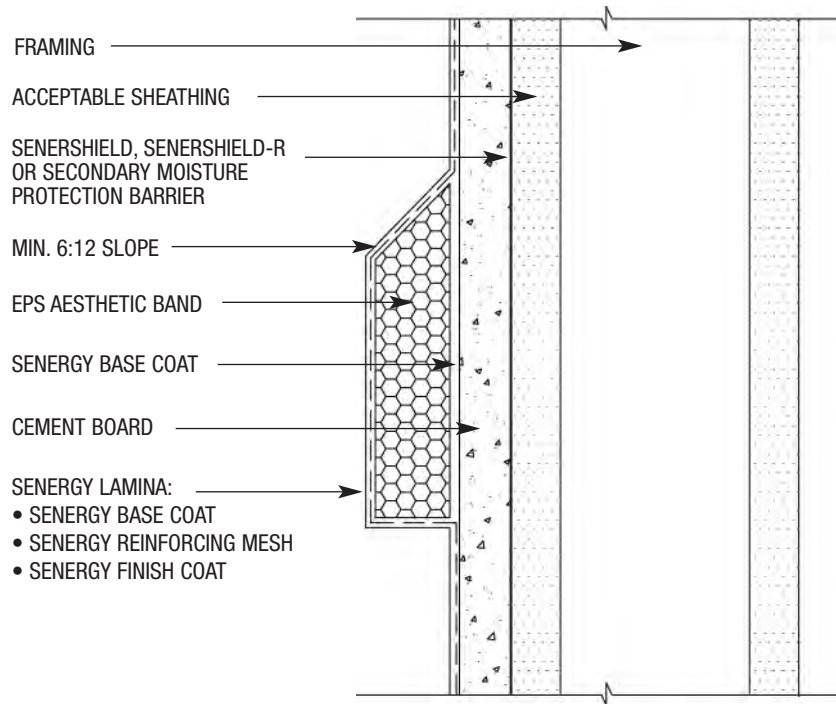


CBS-21 TYPICAL TERMINATION AT BOTTOM OF DECK

NOTE: FRAMING, ACCEPTABLE SHEATHING AND SEALANT BY OTHERS

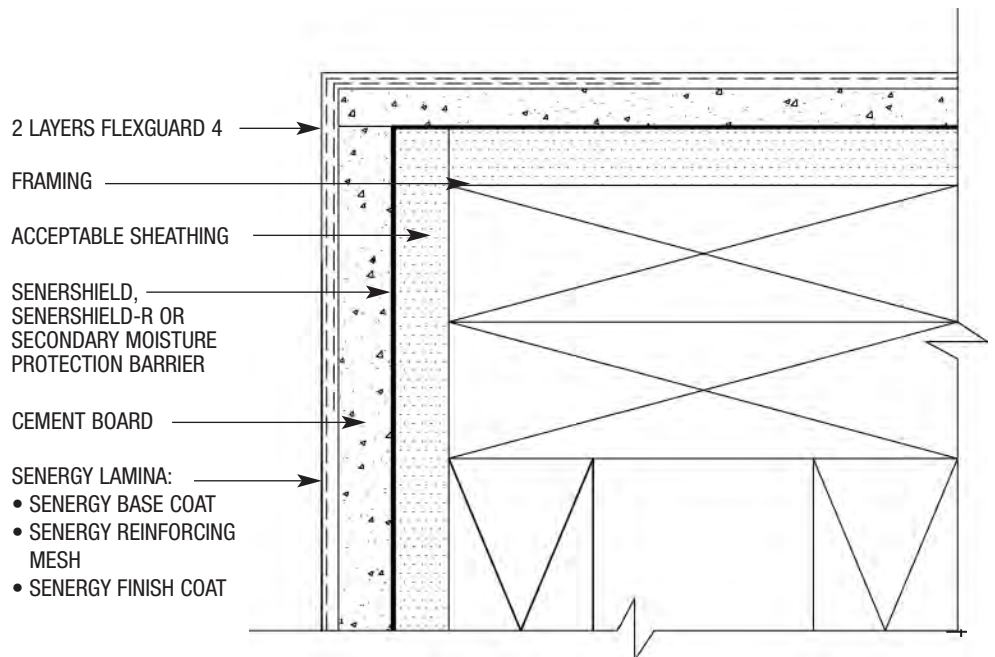


CBS-22 TYPICAL METAL COPING DETAIL

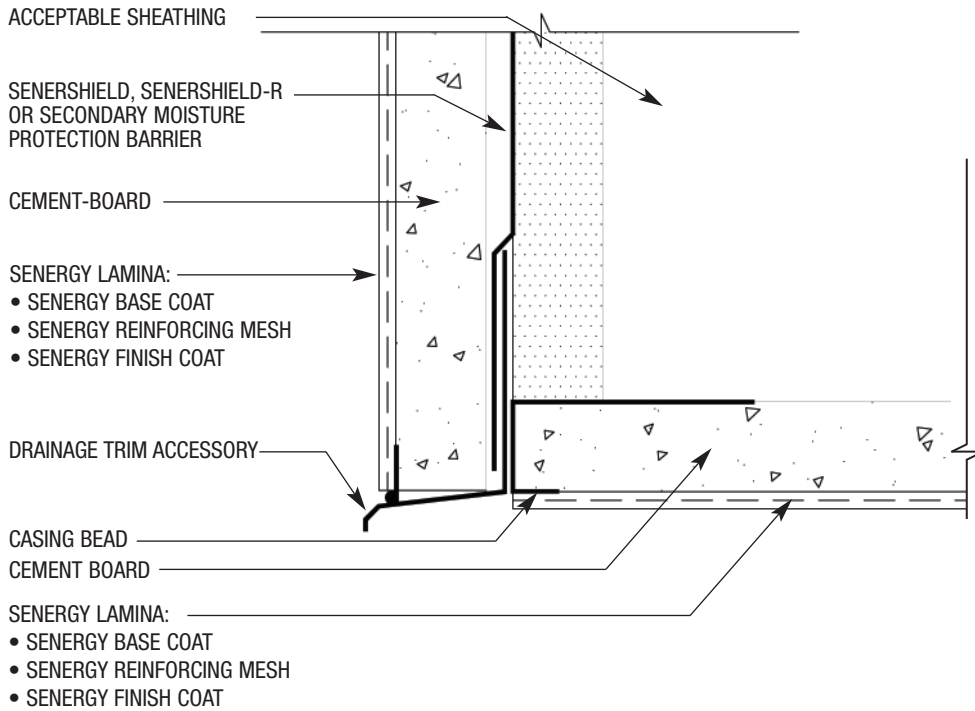


CBS-23 TYPICAL EPS SHAPE APPLICATION

NOTE: FRAMING, ACCEPTABLE SHEATHING AND SEALANT BY OTHERS

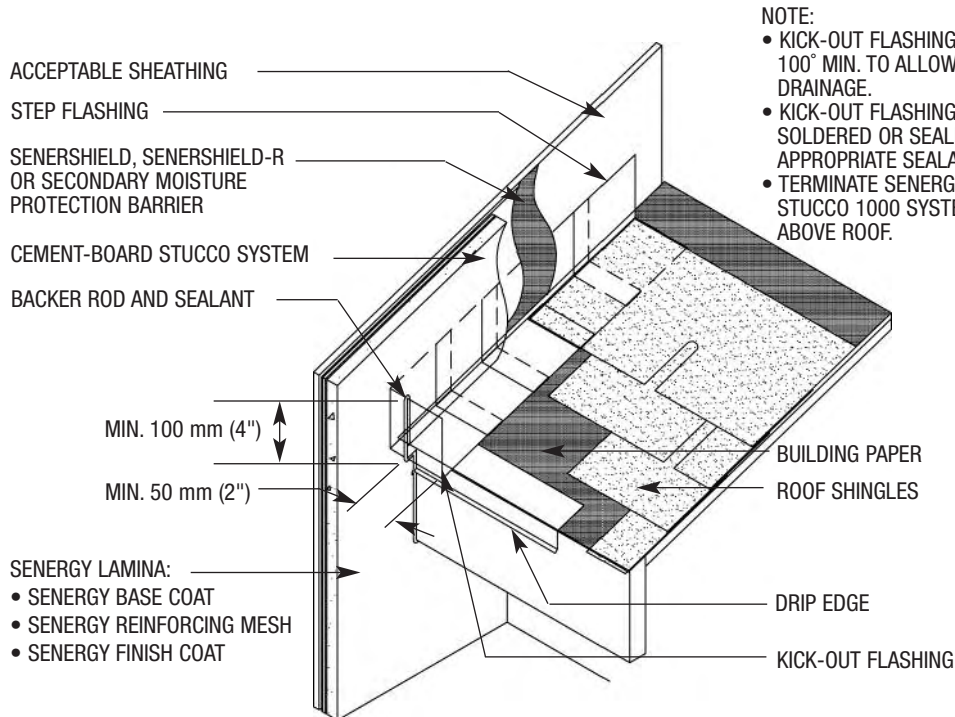


CBS-24 TYPICAL CORNER DETAIL (PLAN VIEW)



CBS-25 TYPICAL FASCIA / SOFFIT DETAIL

NOTE: FRAMING, ACCEPTABLE SHEATHING AND SEALANT BY OTHERS



NOTE:

- KICK-OUT FLASHING MUST BE ANGLED 100° MIN. TO ALLOW FOR PROPER DRAINAGE.
- KICK-OUT FLASHING SEAMS MUST BE SOLDERED OR SEALED WITH APPROPRIATE SEALANT.
- TERMINATE SENERGY CEMENT-BOARD STUCCO 1000 SYSTEM 50 MM (2") MIN. ABOVE ROOF.

CBS-26 TYPICAL KICK-OUT FLASHING DETAIL

General Notes

BASF Wall Systems is an operating unit of BASF Construction Chemicals, LLC. (herein after referred to as "BASF Wall Systems") These details are presented in good faith by BASF Wall Systems and represent typical and/or general conditions. They are offered as a guide for consideration to assist the designer, specifier, installer and/or owner. The responsibility remains with the user for the design of any system. For conditions not shown, consult BASF Wall Systems for specific recommendations. Consult current Senergy technical bulletins for such information as acceptable sealants, insulation attachment methods, installation of air/weather barriers, residential policy, code and test reports, geo-climatic considerations, etc. Installation requirements for sealant (joint size configuration, primers, bond breakers) shall be in accordance with sealant manufacturer's specifications and instructions.

Technical Support

Consult the BASF Wall Systems Technical Services Department for specific recommendations concerning all other applications. Consult the Senergy website, www.senergy.basf.com, for additional information about products and systems and for updated literature.

Residential Policy

On one and two-family residential framed construction, BASF Wall Systems requires that the wall system selected be one that includes provisions for water drainage. The choices include Senturion® line of water drainage EIFS, commercial Senerflex® Channeled Adhesive or Channeled Insulation Design, Senergy Stucco Wall System, and Senergy Cement-Board Stucco™ Systems. There are no exceptions to this policy. Under no circumstances will BASF Wall Systems warrant the use of any other system on this type of construction without expressed written authorization from BASF Wall Systems [Residential construction using EIFS on masonry (CMU) or poured concrete does not require the additional water drainage provisions described above. Senergy Exterior Surfacing Systems for insulating concrete forms are also acceptable.] See the Senergy Residential Policy Bulletin for a more detailed discussion of this topic. Consult BASF Wall Systems Technical Services Department for specific recommendations concerning all other applications. Consult the Senergy website, www.senergy.basf.com for additional information about products and systems and for updated literature.

Disclaimer

This information and all further technical advice are based on BASF Wall Systems' present knowledge and experience. However, BASF assumes no liability for providing such information and advice including the extent to which such information and advice may relate to existing third party intellectual property rights, especially patent rights. In particular, BASF Wall Systems disclaims any and all CONDITIONS AND WARRANTIES, WHETHER EXPRESS OR IMPLIED, INCLUDING THE IMPLIED WARRANTIES OF FITNESS FOR A PARTICULAR PURPOSE OR MERCHANTABILITY. BASF WALL SYSTEMS SHALL NOT BE RESPONSIBLE FOR CONSEQUENTIAL, INDIRECT OR INCIDENTAL DAMAGES (INCLUDING LOSS OF PROFITS) OF ANY KIND. BASF Wall Systems reserves the right to make any changes according to technological progress or further developments. It is the customer's responsibility and obligation to carefully inspect and test any incoming goods. Performance of the product(s) described herein should be verified by testing and carried out only by qualified experts. It is the sole responsibility of the customer to carry out and arrange for any such testing. Reference to trade names used by other companies is neither a recommendation, nor an endorsement of any product and does not imply that similar products could not be used.

BASF Wall Systems

3550 St. Johns Bluff Road South
Jacksonville, FL 32224-2614

Phone 800 • 221 • 9255

Fax 904 • 996 • 6300

www.senergy.basf.com