

# MasterSeal® AWB 900 Liquid Flashing Membrane

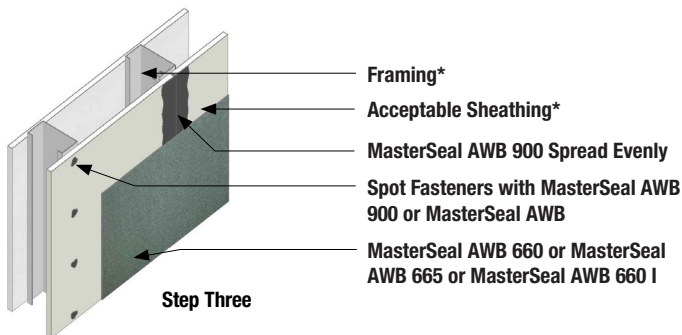
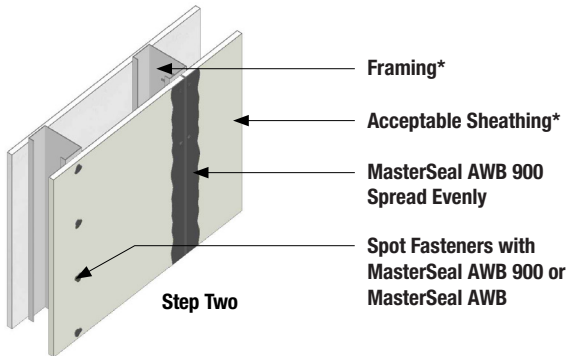
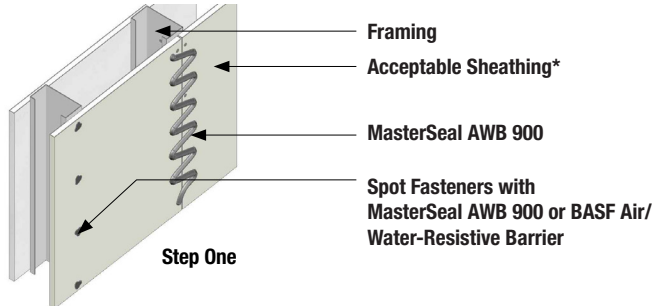
## Typical Details for Framed and Masonry/Concrete Construction Incorporating MasterSeal AWB 900 Liquid Flashing Membrane

### TABLE OF CONTENTS

2. Typical Joint and Fastener Treatment
3. Typical Rough Opening Treatment with MasterSeal AWB 900 on Masonry Construction without Buck
4. Typical Rough Opening Treatment with MasterSeal AWB 900 on Framed Construction without Buck
5. Typical Rough Opening Treatment with MasterSeal AWB 900 on Masonry Construction with Flushed Buck
6. Typical Rough Opening Treatment with MasterSeal AWB 900 on Framed Construction with Flushed Buck
7. Typical Rough Opening Treatment with MasterSeal AWB 900 on Masonry Construction with a Recessed Buck
8. Typical Rough Opening Treatment with MasterSeal AWB 900 on Framed Construction with a Recessed Buck
9. Typical Rough Opening Treatment with MasterSeal AWB 900 on Masonry Construction with a Protruding Buck
10. Typical Rough Opening Treatment with MasterSeal AWB 900 on Framed Construction with a Protruding Buck
11. Typical Termination at Grade
12. Typical Pipe Penetration
13. Typical Sheathing Joint - Inside Corner
14. Typical Sheathing Joint - Outside Corner

## MasterSeal AWB 900 Liquid Flashing Membrane

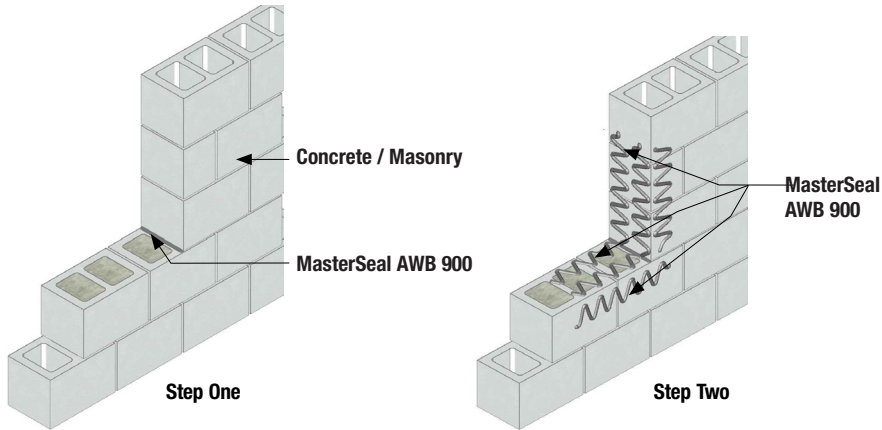
### TYPICAL JOINT AND FASTENER TREATMENT



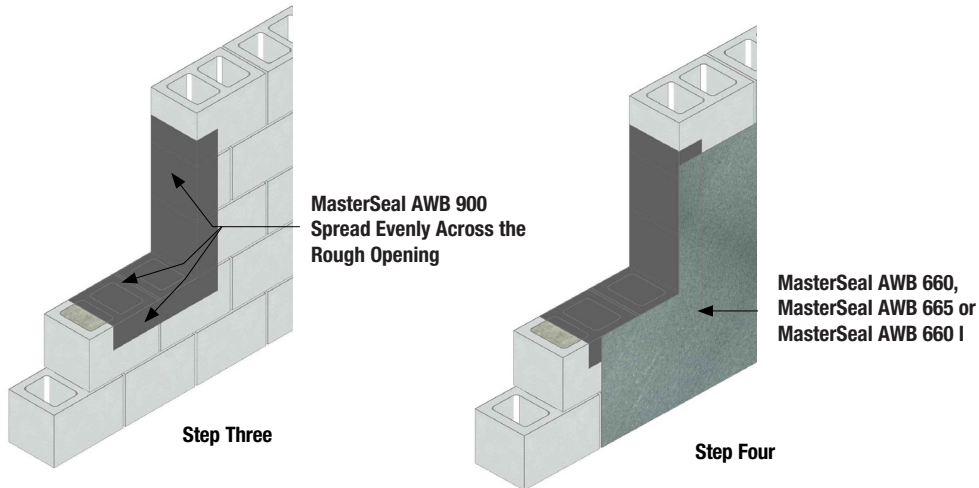
- Ensure that MasterSeal AWB 900 is applied at a 20 mil thickness.
- Extend MasterSeal AWB 900 at least 25 mm (1") on either side of sheathing joints.
- Allow MasterSeal AWB 900 to skin before applying fluid-applied air/water resistive barrier.

## MasterSeal AWB 900 Liquid Flashing Membrane

TYPICAL ROUGH OPENING TREATMENT WITH MAXFLASH  
ON MASONRY OR CONCRETE CONSTRUCTION WITHOUT BUCK

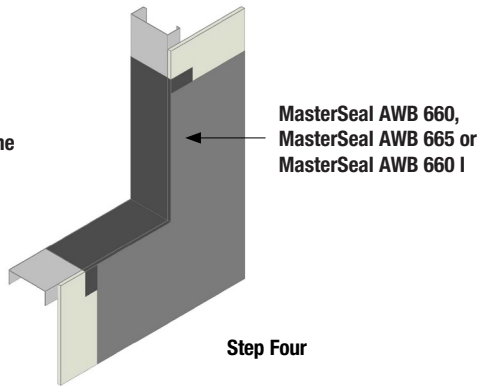
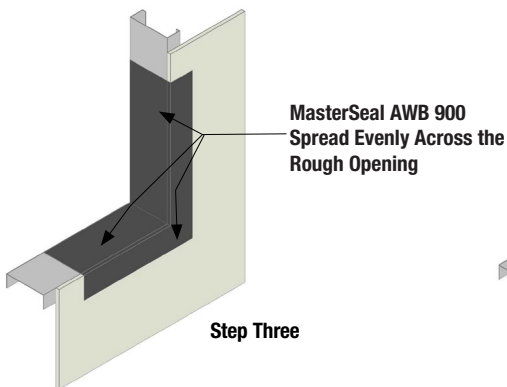
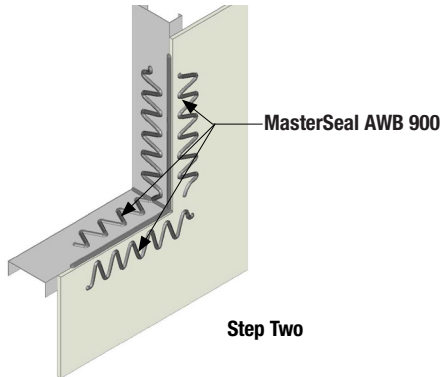
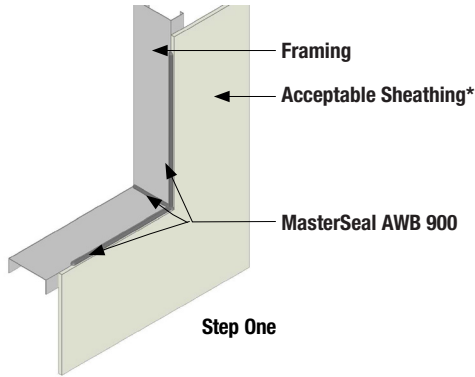


- Ensure that MasterSeal AWB 900 is uniformly applied at a 12-20 mil thickness.
- Extend MasterSeal AWB 900 at least 100 mm (4") onto the exterior wall, maintaining 12-20 mil thickness.
- Allow MasterSeal AWB 900 to skin before applying fluid-applied air/water resistive barrier.
- Lap air/water-resistive barrier at least 50 mm (2") onto MasterSeal AWB 900, creating a continuous, monolithic air/water resistive barrier



## MasterSeal AWB 900 Liquid Flashing Membrane

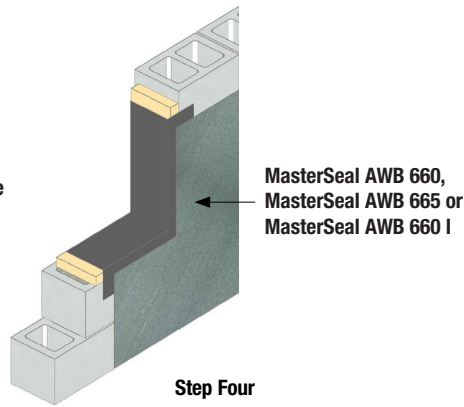
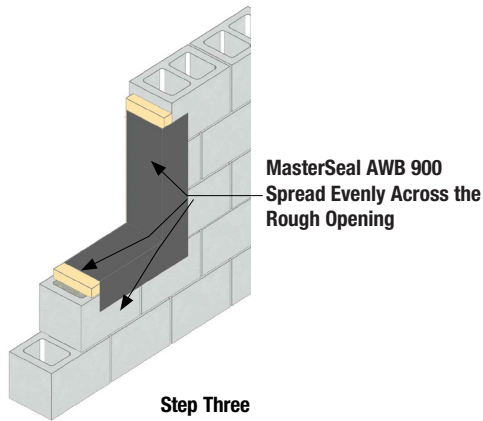
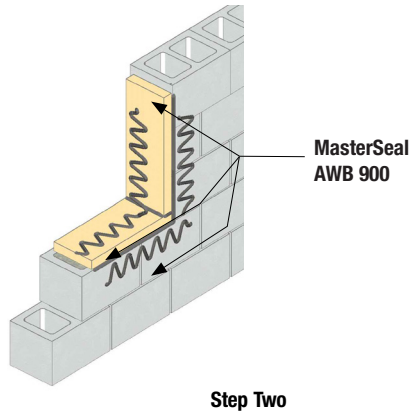
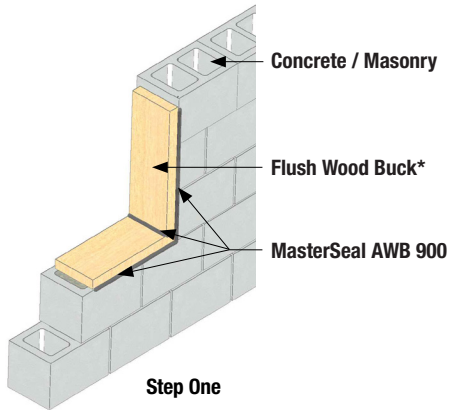
TYPICAL ROUGH OPENING TREATMENT WITH MASTERSEAL AWB 900  
ON FRAMED CONSTRUCTION WITHOUT BUCK



- Ensure that MasterSeal AWB 900 is uniformly applied at a 12-20 mil thickness.
- Extend MasterSeal AWB 900 at least 100 mm (4") onto the exterior wall, maintaining 12-20 mil thickness.
- Allow MasterSeal AWB 900 to skin before applying fluid-applied air/water resistive barrier.
- Lap air/water-resistive barrier at least 50 mm (2") onto MasterSeal AWB 900, creating a continuous, monolithic air/water resistive barrier.

## MasterSeal AWB 900 Liquid Flashing Membrane

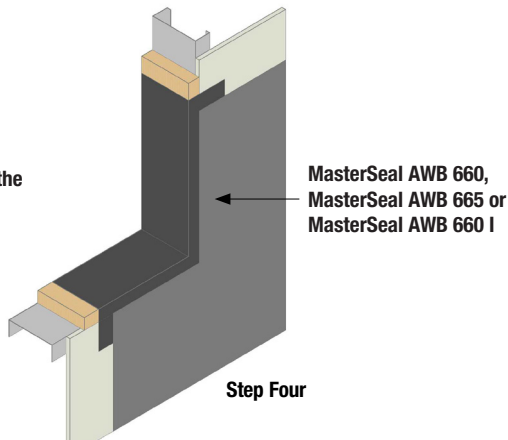
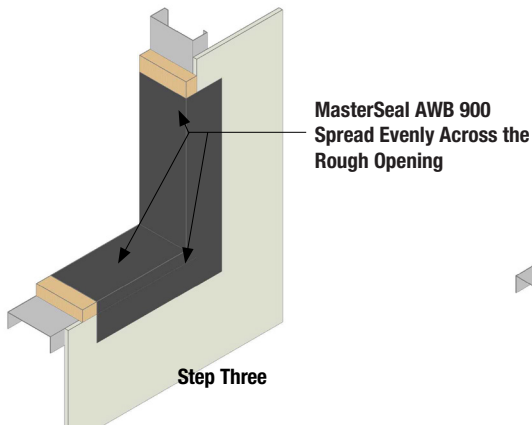
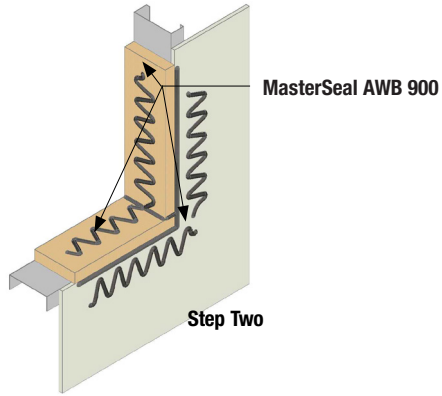
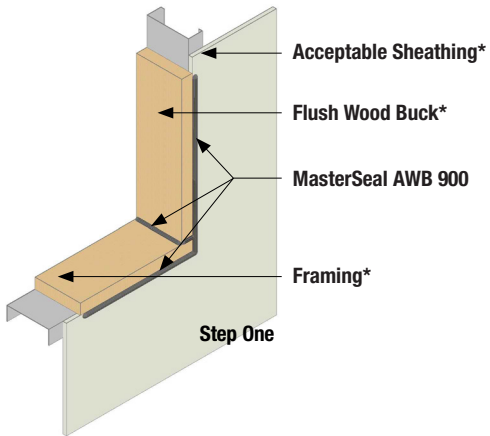
### TYPICAL JOINT AND FASTENER TREATMENT



- Ensure that MasterSeal AWB 900 is uniformly applied at a 12-20 mil thickness.
- Extend MasterSeal AWB 900 at least 100 mm (4") onto the exterior wall, maintaining 12-20 mil thickness.
- Allow MasterSeal AWB 900 to skin before applying fluid-applied air/water resistive barrier.
- Lap air/water-resistive barrier at least 50 mm (2") onto MasterSeal AWB 900, creating a continuous, monolithic air/water resistive barrier

## MasterSeal AWB 900 Liquid Flashing Membrane

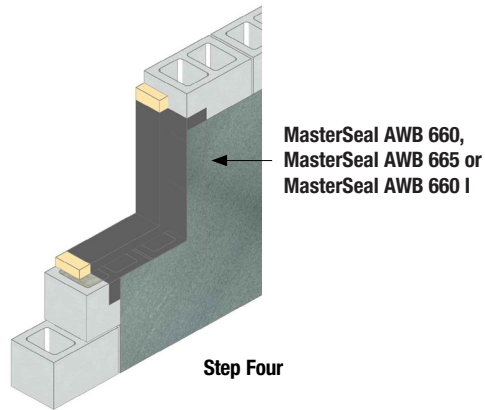
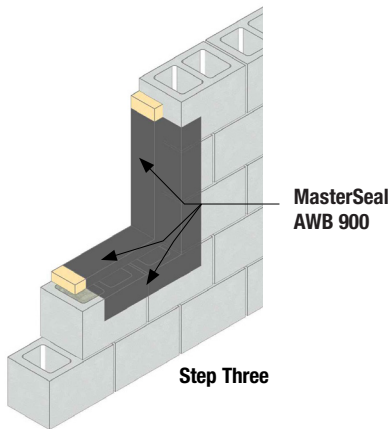
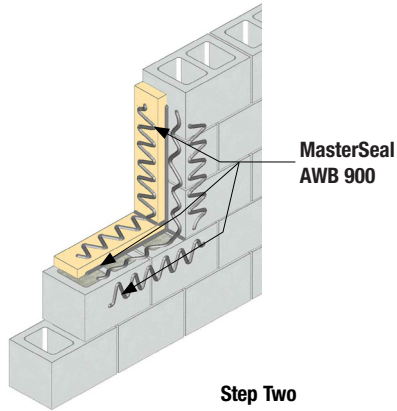
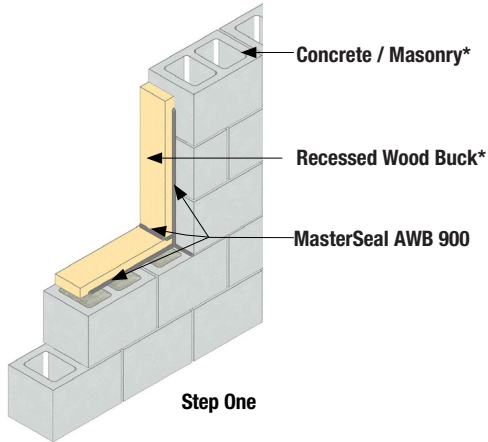
TYPICAL ROUGH OPENING TREATMENT WITH MASTERSEAL AWB 900  
ON FRAMED CONSTRUCTION WITH FLUSH BUCK



- Ensure that MasterSeal AWB 900 is uniformly applied at a 12-20 mil thickness.
- Extend MasterSeal AWB 900 at least 100 mm (4") onto the exterior wall, maintaining 12-20 mil thickness.
- Allow MasterSeal AWB 900 to skin before applying fluid-applied air/water resistive barrier.
- Lap air/water-resistive barrier at least 50 mm (2") onto MasterSeal AWB 900, creating a continuous, monolithic air/water resistive barrier

## MasterSeal AWB 900 Liquid Flashing Membrane

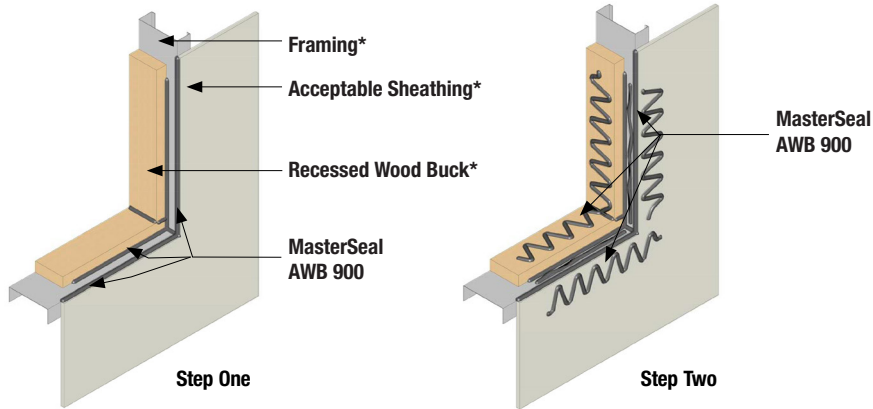
TYPICAL ROUGH OPENING TREATMENT WITH MASTERSEAL AWB 900 ON  
MASONRY OR CONCRETE CONSTRUCTION WITH A RECESSED BUCK



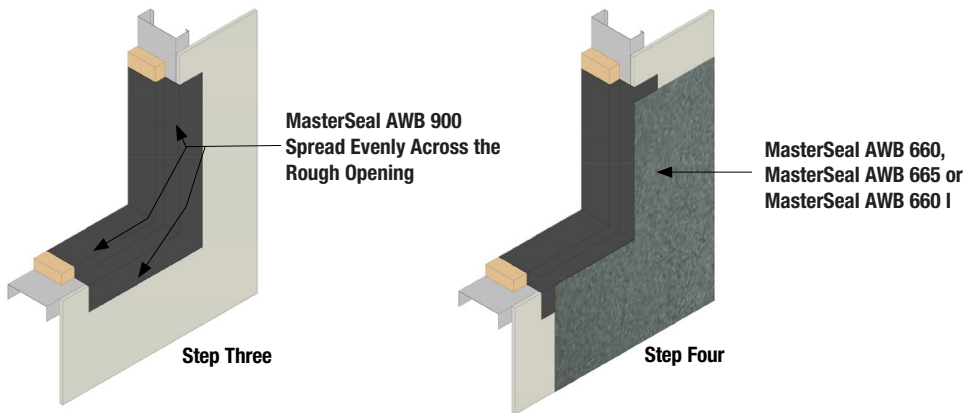
- Ensure that MasterSeal AWB 900 is uniformly applied at a 12-20 mil thickness.
- Extend MasterSeal AWB 900 at least 100 mm (4") onto the exterior wall, maintaining 12-20 mil thickness.
- Allow MasterSeal AWB 900 to skin before applying fluid-applied air/water resistive barrier.
- Lap air/water-resistive barrier at least 50 mm (2") onto MasterSeal AWB 900, creating a continuous, monolithic air/water resistive barrier

## MasterSeal AWB 900 Liquid Flashing Membrane

TYPICAL ROUGH OPENING TREATMENT WITH MASTERSEAL AWB 900  
ON FRAMED CONSTRUCTION WITH A RECESSED BUCK



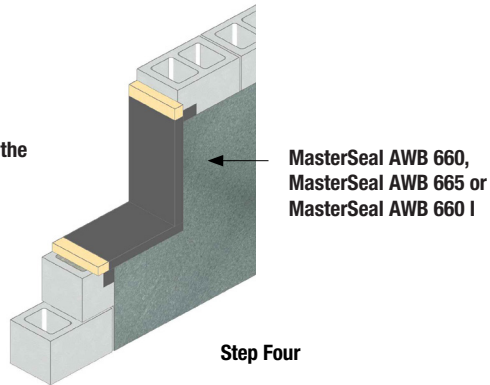
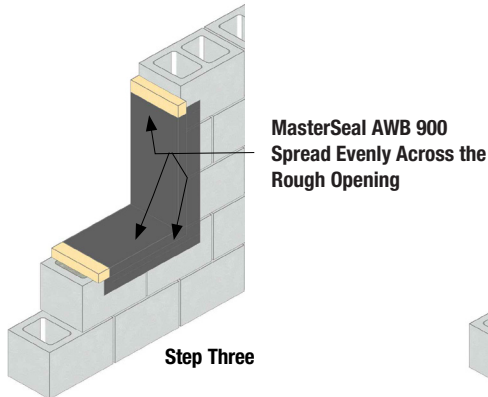
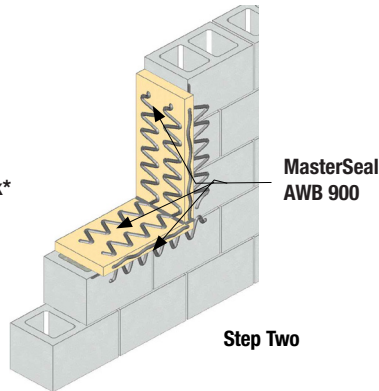
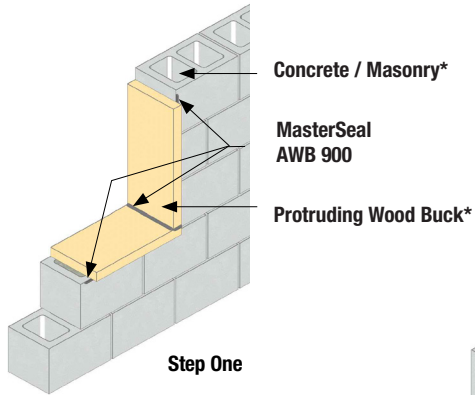
- Ensure that MasterSeal AWB 900 is uniformly applied at a 12-20 mil thickness.
- Extend MasterSeal AWB 900 at least 100 mm (4") onto the exterior wall, maintaining 12-20 mil thickness.
- Allow MasterSeal AWB 900 to skin before applying fluid-applied air/water resistive barrier.
- Lap air/water-resistive barrier at least 50 mm (2") onto MasterSeal AWB 900, creating a continuous, monolithic air/water resistive barrier





## MasterSeal AWB 900 Liquid Flashing Membrane

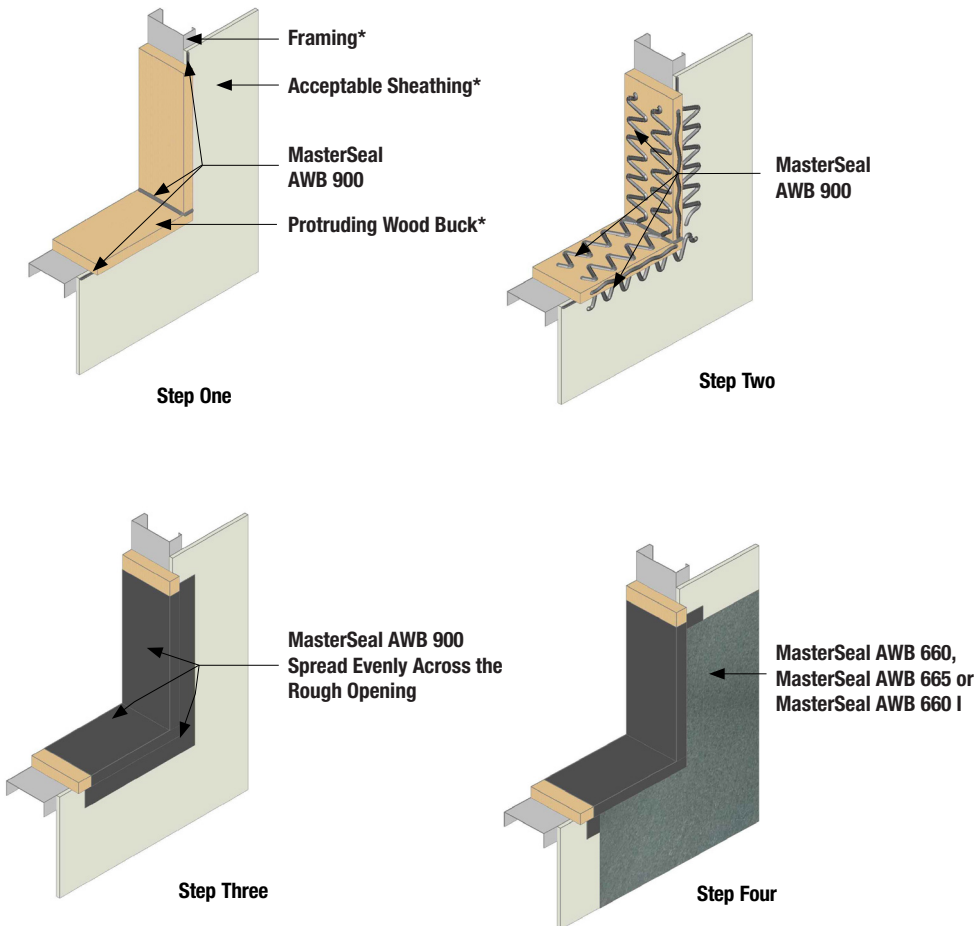
TYPICAL ROUGH OPENING TREATMENT WITH MASTERSEAL AWB 900 ON  
MASONRY OR CONCRETE CONSTRUCTION WITH A PROTRUDING BUCK



- Ensure that MasterSeal AWB 900 is uniformly applied at a 12-20 mil thickness.
- Extend MasterSeal AWB 900 at least 100 mm (4") onto the exterior wall, maintaining 12-20 mil thickness.
- Allow MasterSeal AWB 900 to skin before applying fluid-applied air/water resistive barrier.
- Lap air/water-resistive barrier at least 50 mm (2") onto MasterSeal AWB 900, creating a continuous, monolithic air/water resistive barrier

## MasterSeal AWB 900 Liquid Flashing Membrane

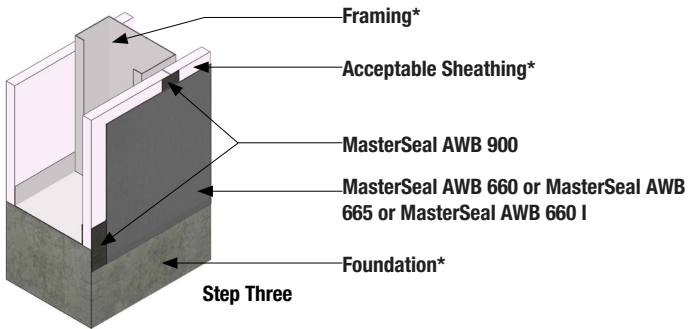
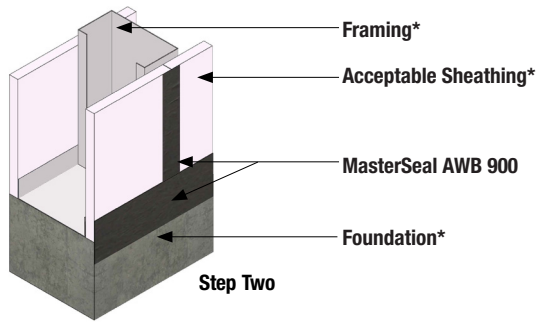
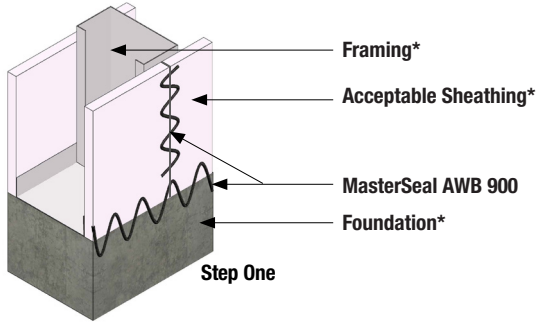
TYPICAL ROUGH OPENING TREATMENT WITH MASTERSEAL AWB 900  
ON FRAMED CONSTRUCTION WITH A PROTRUDING BUCK



- Ensure that MasterSeal AWB 900 is uniformly applied at a 12-20 mil thickness.
- Extend MasterSeal AWB 900 at least 100 mm (4") onto the exterior wall, maintaining 12-20 mil thickness.
- Allow MasterSeal AWB 900 to skin before applying fluid-applied air/water resistive barrier.
- Lap air/water-resistive barrier at least 50 mm (2") onto MasterSeal AWB 900, creating a continuous, monolithic air/water resistive barrier

## MasterSeal AWB 900 Liquid Flashing Membrane

### TYPICAL TERMINATION AT GRADE

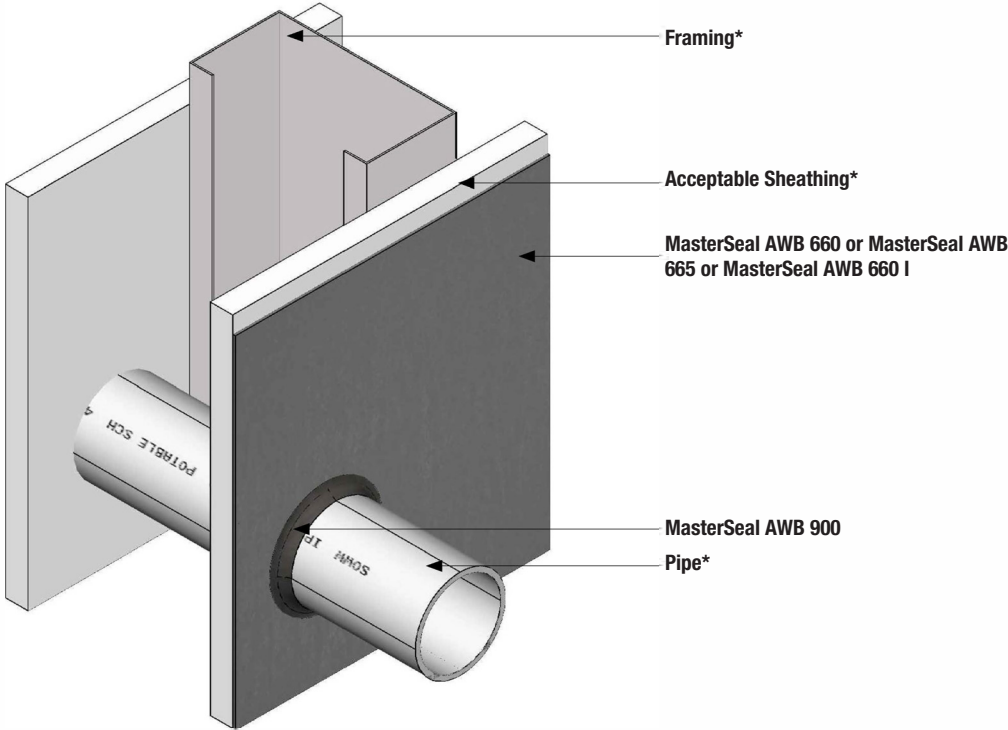


- Ensure that MasterSeal AWB 900 is applied at a 20 mil thickness.
- Extend MasterSeal AWB 900 at least 25 mm (1") on either side of foundation joints.
- Allow MasterSeal AWB 900 to skin before applying fluid-applied air/water resistive barrier.

## MasterSeal AWB 900 Liquid Flashing Membrane

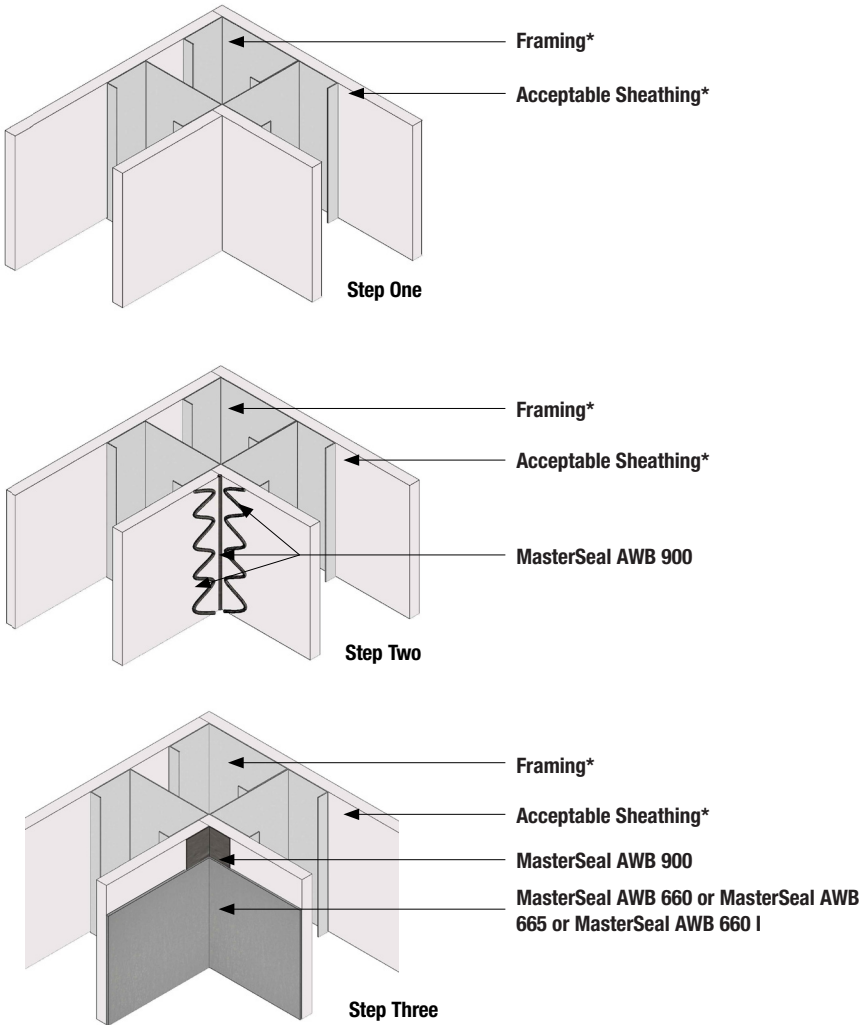
### TYPICAL PIPE PENETRATION

- Maximum 1/2" gap at penetrations.



## MasterSeal AWB 900 Liquid Flashing Membrane

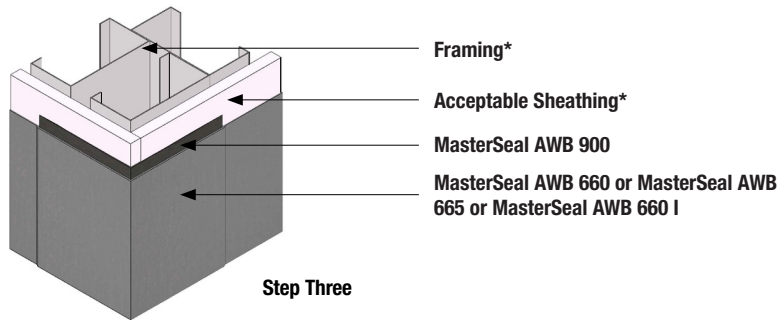
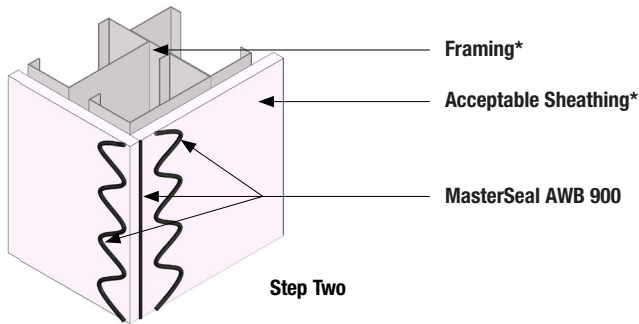
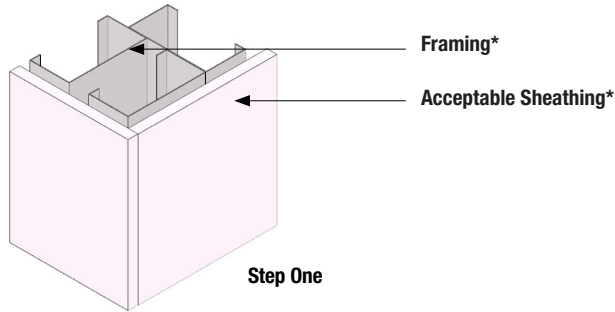
TYPICAL SHEATHING JOINT - INSIDE CORNER



- Ensure that MasterSeal AWB 900 is applied at a 20 mil thickness.
- Extend MasterSeal AWB 900 at least 25 mm (1") on either side of foundation joints.
- Allow MasterSeal AWB 900 to skin before applying fluid-applied air/water resistive barrier.

## MasterSeal AWB 900 Liquid Flashing Membrane

### TYPICAL SHEATHING JOINT - OUTSIDE CORNER



- Ensure that MasterSeal AWB 900 is applied at a 20 mil thickness.
- Extend MasterSeal AWB 900 at least 25 mm (1") on either side of foundation joints.
- Allow MasterSeal AWB 900 to skin before applying fluid-applied air/water resistive barrier.

