

Stucco Resurfacing System

Typical Details



Finestone Stucco Resurfacing System

Typical Details

Table of Contents

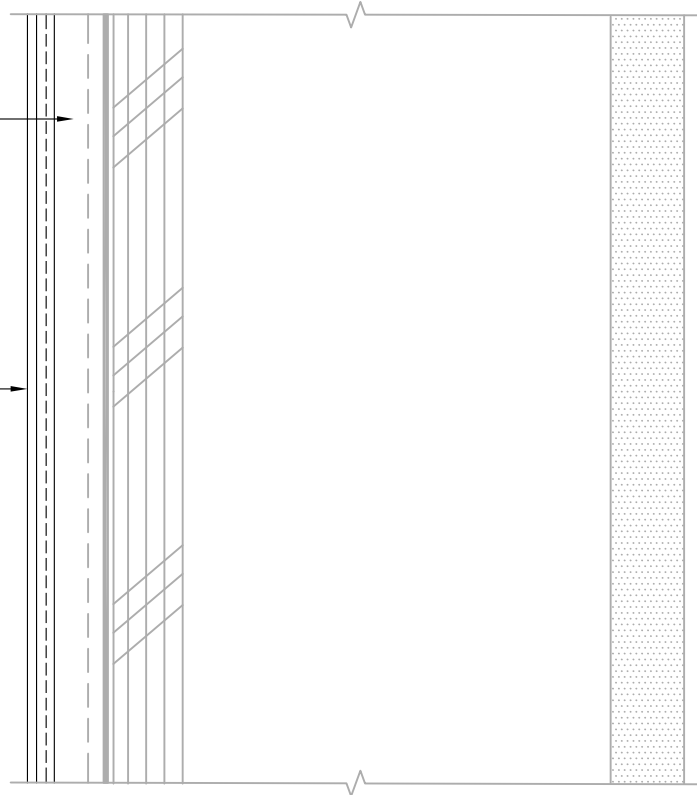
1 Typical Lamina Application	14 Typical Light Fixture
2 Typical Isometric View	15 Typical Dryer Vent
3 Typical Surface Control Joint	16 Termination at Foundation
4 Typical Clad Window Jamb	17 Typical Metal Coping
5 Typical Clad Window Head	18 Typical Corner Application
6 Typical Clad Window Sill	
7 Typical Primed Window Head	
8 Typical Primed Window Jamb	
9 Typical Primed Window Sill	
10 Typical Horizontal Expansion Joint at Floor Line	
11 Typical Termination at Soffit/Gable	
12 Typical Downspout Application	
13 Typical Pipe Penetration	

Notes:

- Unsatisfactory conditions shall be reported to the General Contractor and corrected before the application of Master Builders Solutions- Wall Systems products.
- Install Master Builders Solutions materials in accordance with current installation instructions.
- The details within represent Master Builders Solutions- Wall Systems latest recommendations. They are presented in good faith by Master Builders Solutions- Wall Systems. The details are subject to change without notice. Master Builders Solutions- Wall Systems accepts no liability for the end use of the details. For conditions not shown, Master Builders Solutions- Wall Systems for review of specific detail.

EXISTING STUCCO SYSTEM

FINESTONE LAMINA:
FINESTONE BASE COAT
FINESTONE REINFORCING MESH
OR BASF DIAMONDSHIELD
FINESTONE FINISH COAT



REFERENCE reFINE STUCCO PROCEDURES AND RESURFACING SPECIFICATION FOR FURTHER INFORMATION

TYPICAL LAMINA APPLICATION

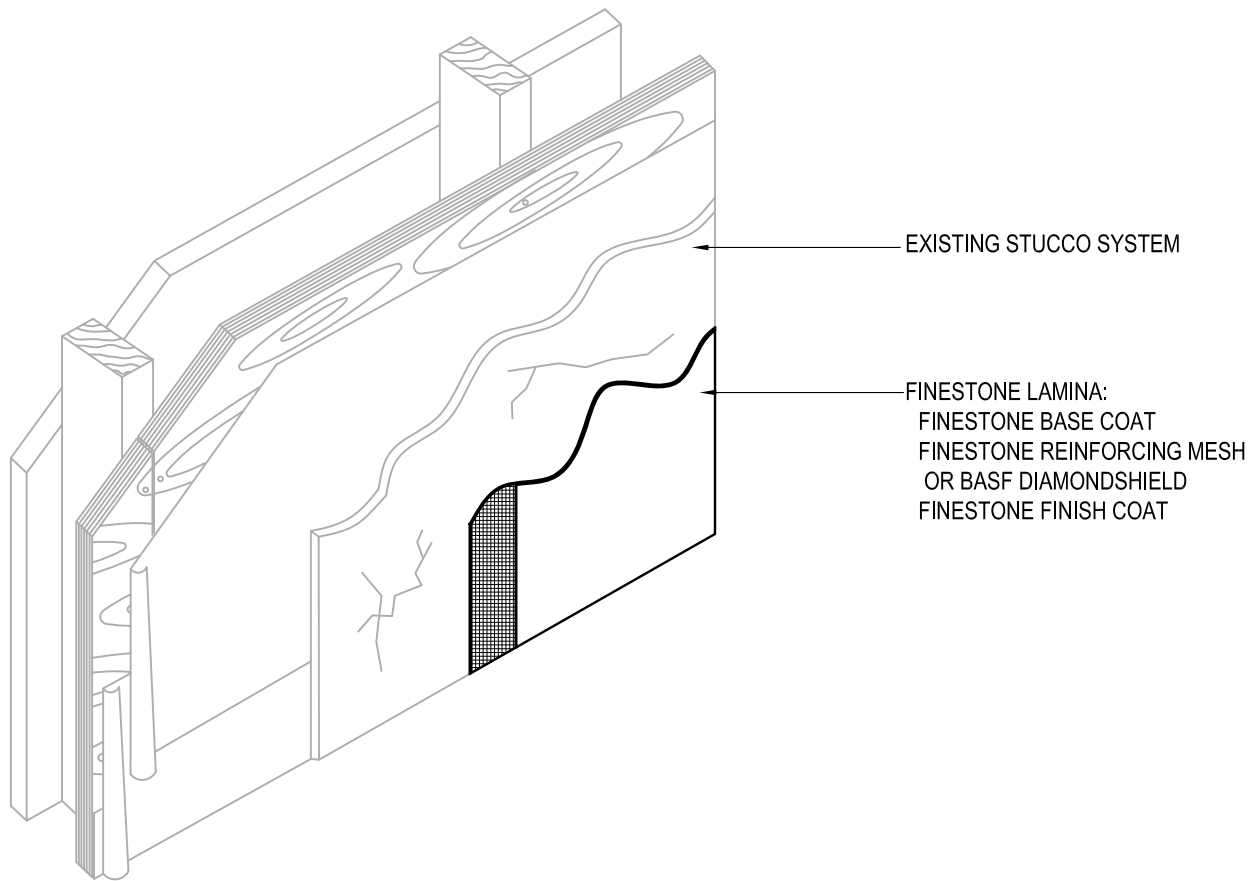
FINESTONE STUCCO RESURFACING SYSTEM

SCALE: NTS

01

Structure, substrates, flashing, and other items which are not part of the BASF FINESTONE *Stucco Resurfacing System* are the responsibility of others. This detail is subject to change without notice. BASF Corporation - Wall Systems (herein after BASF Wall Systems) accepts no liability for the end use of this detail. For conditions not shown, consult BASF Wall Systems for review of specific detail.


We create chemistry



REFERENCE reFINE STUCCO PROCEDURES AND RESURFACING SPECIFICATION FOR FURTHER INFORMATION

TYPICAL ISOMETRIC VIEW

FINESTONE STUCCO RESURFACING SYSTEM

SCALE: NTS

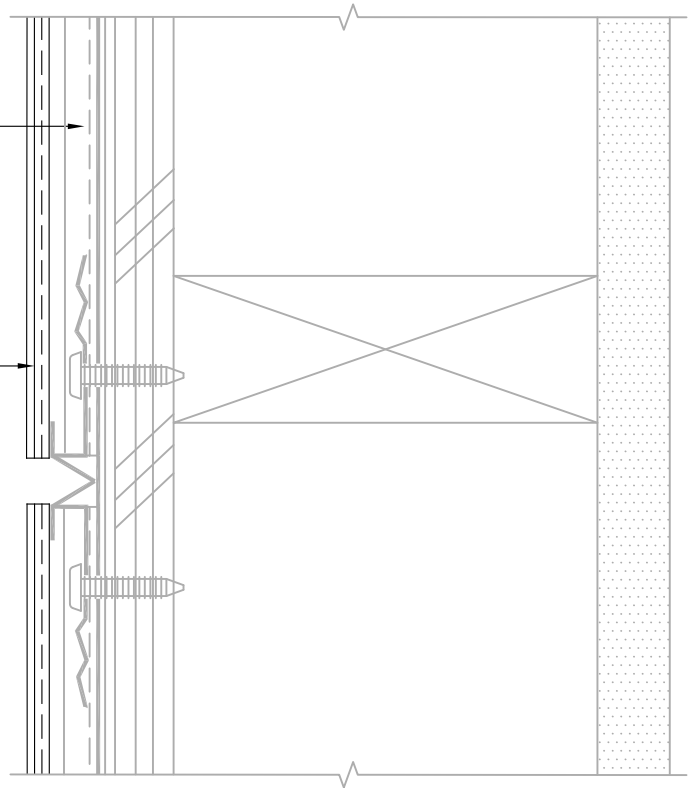
02

Structure, substrates, flashing, and other items which are not part of the BASF FINESTONE *Stucco Resurfacing System* are the responsibility of others. This detail is subject to change without notice. BASF Corporation - Wall Systems (herein after BASF Wall Systems) accepts no liability for the end use of this detail. For conditions not shown, consult BASF Wall Systems for review of specific detail.

BASF
 We create chemistry

EXISTING STUCCO SYSTEM

FINESTONE LAMINA:
FINESTONE BASE COAT
FINESTONE REINFORCING MESH
OR BASF DIAMONSHIELD
FINESTONE FINISH COAT



REFERENCE reFINE STUCCO PROCEDURES AND RESURFACING SPECIFICATION FOR FURTHER INFORMATION

TYPICAL SURFACE CONTROL JOINT FINESTONE STUCCO RESURFACING SYSTEM

SCALE: NTS

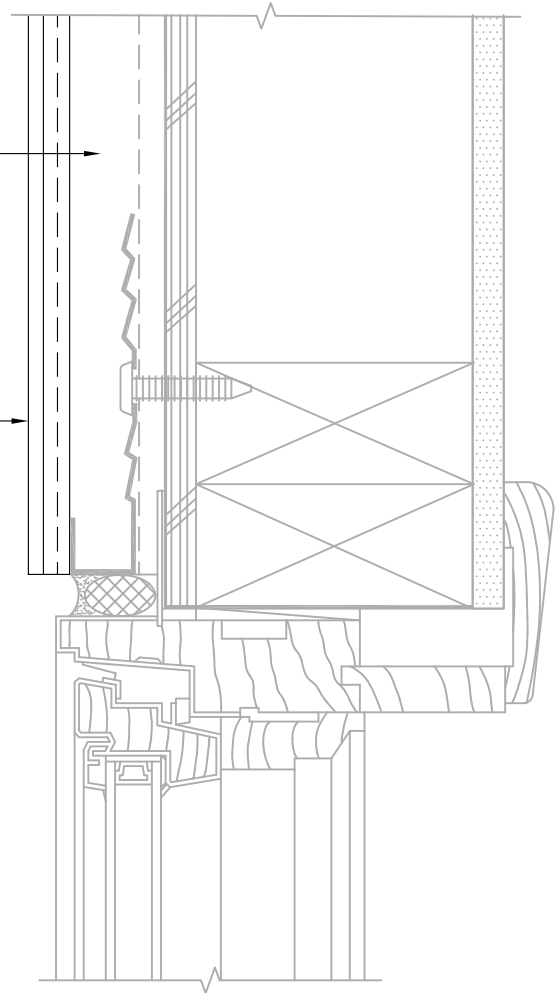
03

Structure, substrates, flashing, and other items which are not part of the BASF FINESTONE *Stucco Resurfacing System* are the responsibility of others. This detail is subject to change without notice. BASF Corporation - Wall Systems (herein after BASF Wall Systems) accepts no liability for the end use of this detail. For conditions not shown, consult BASF Wall Systems for review of specific detail.


We create chemistry

EXISTING STUCCO SYSTEM

FINESTONE LAMINA:
FINESTONE BASE COAT
FINESTONE REINFORCING MESH
OR BASF DIAMONDSHIELD
FINESTONE FINISH COAT



(PLAN VIEW)

REFERENCE reFINE STUCCO PROCEDURES AND RESURFACING SPECIFICATION FOR FURTHER INFORMATION

TYPICAL CLAD WINDOW JAMB

FINESTONE STUCCO RESURFACING SYSTEM

SCALE: NTS

04

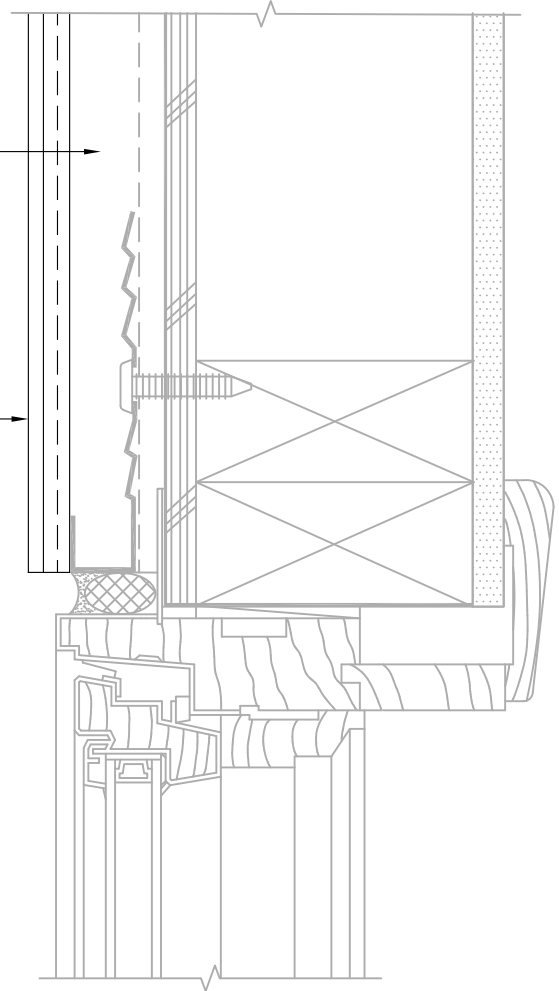
Structure, substrates, flashing, and other items which are not part of the BASF FINESTONE *Stucco Resurfacing System* are the responsibility of others. This detail is subject to change without notice. BASF Corporation - Wall Systems (herein after BASF Wall Systems) accepts no liability for the end use of this detail. For conditions not shown, consult BASF Wall Systems for review of specific detail.


We create chemistry

EXISTING STUCCO SYSTEM

FINESTONE LAMINA:
FINESTONE BASE COAT
FINESTONE REINFORCING MESH
OR BASF DIAMONDSHIELD
FINESTONE FINISH COAT

NOTE: IF SEALANT IS REMOVED PRIOR TO
FINESTONE LAMINA APPLICATION, APPLY
BASECOAT INTO THE JOINT. USE
MASTERSEAL NP1 / NP2 / NP100 OR NP150
W/ MASTERSEAL P173 PRIMER*



(PLAN VIEW)

*BY OTHERS

REFERENCE reFINE STUCCO PROCEDURES AND RESURFACING SPECIFICATION FOR FURTHER INFORMATION

TYPICAL CLAD WINDOW JAMB

FINESTONE STUCCO RESURFACING SYSTEM

SCALE: NTS

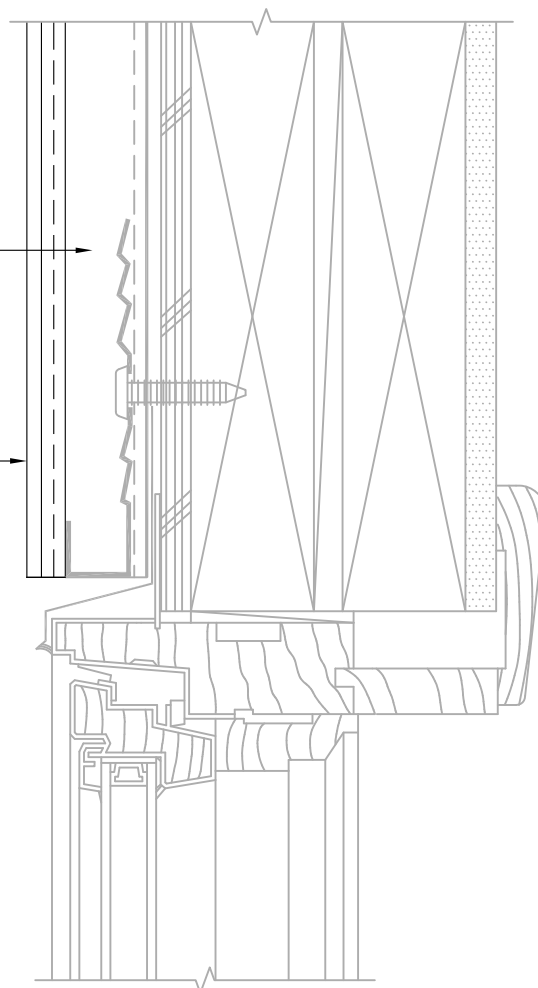
04

Structure, substrates, flashing, and other items which are not part of the BASF FINESTONE *Stucco Resurfacing System* are the responsibility of others. This detail is subject to change without notice. BASF Corporation - Wall Systems (herein after BASF Wall Systems) accepts no liability for the end use of this detail. For conditions not shown, consult BASF Wall Systems for review of specific detail.

BASF
We create chemistry

EXISTING STUCCO SYSTEM

FINESTONE LAMINA:
FINESTONE BASE COAT
FINESTONE REINFORCING MESH
OR BASF DIAMONDSHIELD
FINESTONE FINISH COAT



REFERENCE reFINE STUCCO PROCEDURES AND RESURFACING SPECIFICATION FOR FURTHER INFORMATION

TYPICAL CLAD WINDOW HEAD FINESTONE STUCCO RESURFACING SYSTEM

SCALE: NTS

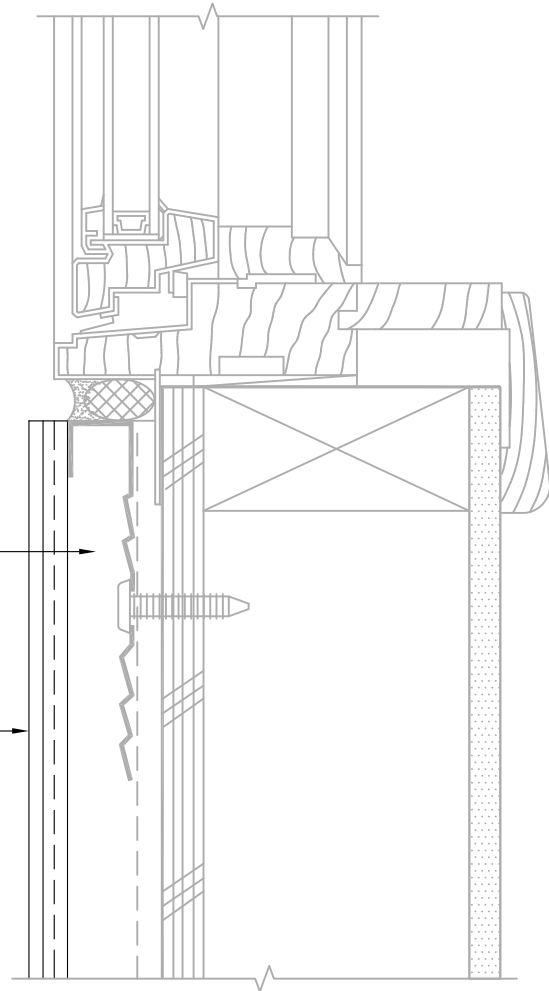
05

Structure, substrates, flashing, and other items which are not part of the BASF FINESTONE *Stucco Resurfacing System* are the responsibility of others. This detail is subject to change without notice. BASF Corporation - Wall Systems (herein after BASF Wall Systems) accepts no liability for the end use of this detail. For conditions not shown, consult BASF Wall Systems for review of specific detail.


We create chemistry

EXISTING STUCCO SYSTEM

FINESTONE LAMINA:
FINESTONE BASE COAT
FINESTONE REINFORCING MESH
OR BASF DIAMONDSHIELD
FINESTONE FINISH COAT



REFERENCE reFINE STUCCO PROCEDURES AND RESURFACING SPECIFICATION FOR FURTHER INFORMATION

TYPICAL CLAD WINDOW SILL

FINESTONE STUCCO RESURFACING SYSTEM

SCALE: NTS

06

Structure, substrates, flashing, and other items which are not part of the BASF FINESTONE *Stucco Resurfacing System* are the responsibility of others. This detail is subject to change without notice. BASF Corporation - Wall Systems (herein after BASF Wall Systems) accepts no liability for the end use of this detail. For conditions not shown, consult BASF Wall Systems for review of specific detail.

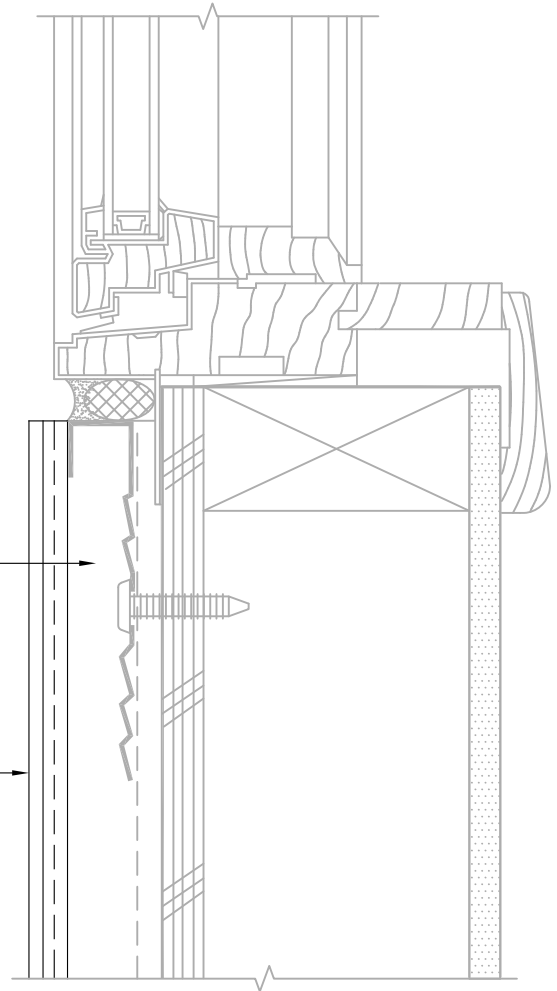

We create chemistry

**NOTE: IF SEALANT IS REMOVED PRIOR TO
FINESTONE LAMINA APPLICATION, APPLY
BASECOAT INTO THE JOINT. USE
MASTERSEAL NP1 / NP2 / NP100 / OR NP150
W/ MASTERSEAL P173 PRIMER***

EXISTING STUCCO SYSTEM

FINESTONE LAMINA:

FINESTONE BASE COAT
FINESTONE REINFORCING MESH
OR BASF DIAMONDSHIELD
FINESTONE FINISH COAT



*BY OTHERS

REFERENCE reFINE STUCCO PROCEDURES AND RESURFACING SPECIFICATION FOR FURTHER INFORMATION

TYPICAL CLAD WINDOW SILL

FINESTONE STUCCO RESURFACING SYSTEM

SCALE: NTS

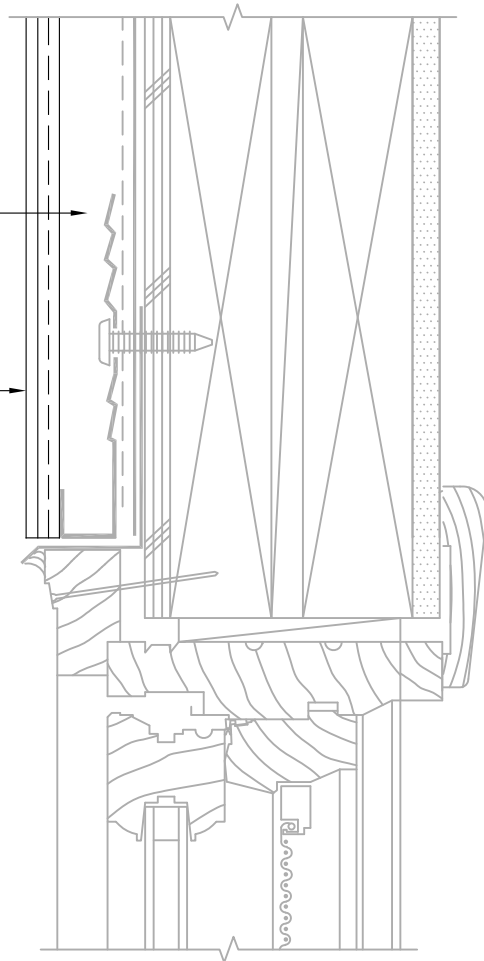
06

Structure, substrates, flashing, and other items which are not part of the BASF FINESTONE *Stucco Resurfacing System* are the responsibility of others. This detail is subject to change without notice. BASF Corporation - Wall Systems (herein after BASF Wall Systems) accepts no liability for the end use of this detail. For conditions not shown, consult BASF Wall Systems for review of specific detail.

BASF
We create chemistry

EXISTING STUCCO SYSTEM

FINESTONE LAMINA:
FINESTONE BASE COAT
FINESTONE REINFORCING MESH
OR BASF DIAMONDSHIELD
FINESTONE FINISH COAT



REFERENCE reFINE STUCCO PROCEDURES AND RESURFACING SPECIFICATION FOR FURTHER INFORMATION

TYPICAL PRIMED WINDOW HEAD FINESTONE STUCCO RESURFACING SYSTEM

SCALE: NTS

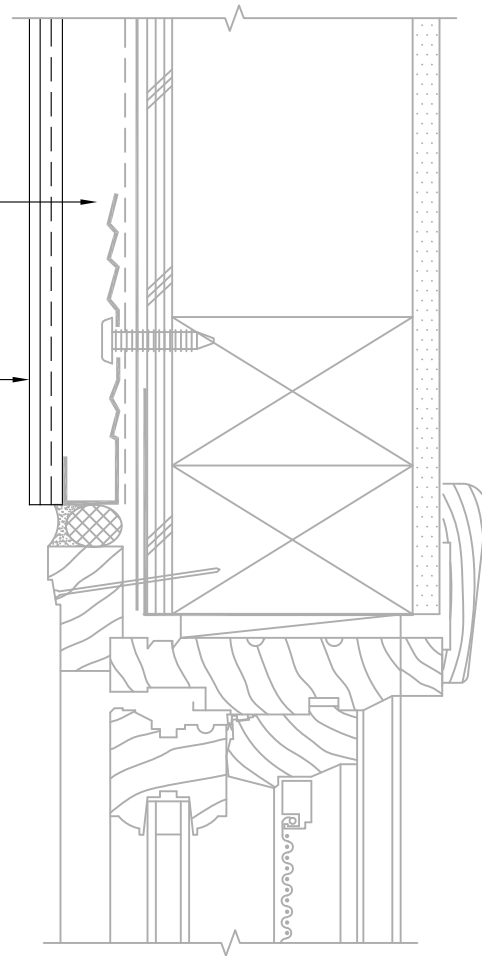
07

Structure, substrates, flashing, and other items which are not part of the BASF FINESTONE *Stucco Resurfacing System* are the responsibility of others. This detail is subject to change without notice. BASF Corporation - Wall Systems (herein after BASF Wall Systems) accepts no liability for the end use of this detail. For conditions not shown, consult BASF Wall Systems for review of specific detail.


We create chemistry

EXISTING STUCCO SYSTEM

FINESTONE LAMINA:
FINESTONE BASE COAT
FINESTONE REINFORCING MESH
OR BASF DIAMONDSHIELD
FINESTONE FINISH COAT



REFERENCE reFINE STUCCO PROCEDURES AND RESURFACING SPECIFICATION FOR FURTHER INFORMATION

TYPICAL PRIMED WINDOW JAMB FINESTONE STUCCO RESURFACING SYSTEM

SCALE: NTS

08

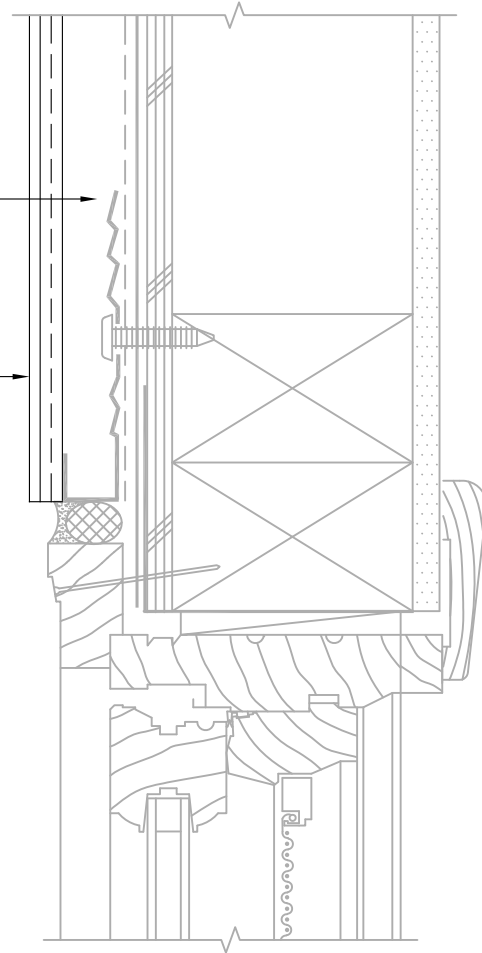
Structure, substrates, flashing, and other items which are not part of the BASF FINESTONE *Stucco Resurfacing System* are the responsibility of others. This detail is subject to change without notice. BASF Corporation - Wall Systems (herein after BASF Wall Systems) accepts no liability for the end use of this detail. For conditions not shown, consult BASF Wall Systems for review of specific detail.


We create chemistry

EXISTING STUCCO SYSTEM

FINESTONE LAMINA:
FINESTONE BASE COAT
FINESTONE REINFORCING MESH
OR BASF DIAMONSHIELD
FINESTONE FINISH COAT

NOTE: IF SEALANT IS REMOVED PRIOR TO
FINESTONE LAMINA APPLICATION, APPLY
BASECOAT INTO THE JOINT. USE
MASTERSEAL NP1 / NP2 / NP100 / OR NP150
W/ MASTERSEAL P173 PRIMER*



*BY OTHERS

REFERENCE reFINE STUCCO PROCEDURES AND RESURFACING SPECIFICATION FOR FURTHER INFORMATION

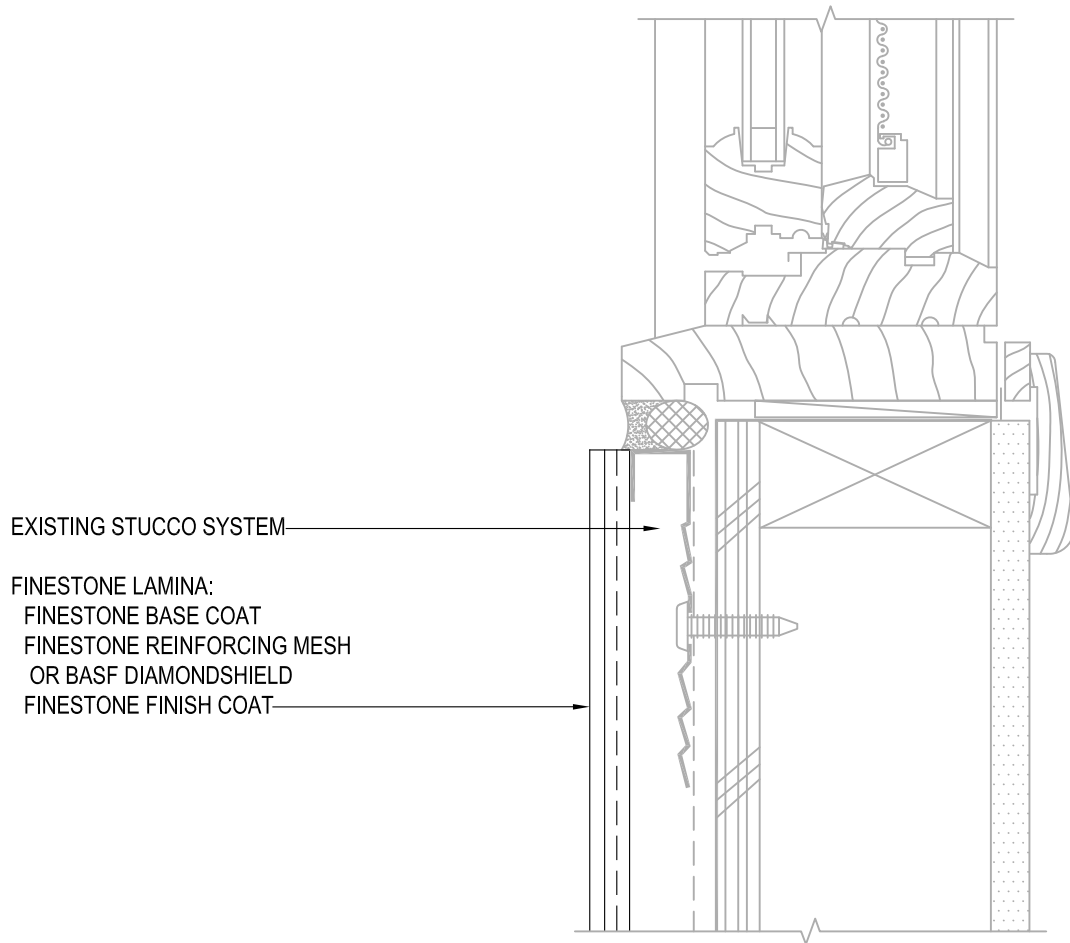
TYPICAL PRIMED WINDOW JAMB FINESTONE STUCCO RESURFACING SYSTEM

SCALE: NTS

08

Structure, substrates, flashing, and other items which are not part of the BASF FINESTONE *Stucco Resurfacing System* are the responsibility of others. This detail is subject to change without notice. BASF Corporation - Wall Systems (herein after BASF Wall Systems) accepts no liability for the end use of this detail. For conditions not shown, consult BASF Wall Systems for review of specific detail.


We create chemistry



REFERENCE reFINE STUCCO PROCEDURES AND RESURFACING SPECIFICATION FOR FURTHER INFORMATION

TYPICAL PRIMED WINDOW SILL FINESTONE STUCCO RESURFACING SYSTEM

SCALE: NTS

09

Structure, substrates, flashing, and other items which are not part of the BASF FINESTONE *Stucco Resurfacing System* are the responsibility of others. This detail is subject to change without notice. BASF Corporation - Wall Systems (herein after BASF Wall Systems) accepts no liability for the end use of this detail. For conditions not shown, consult BASF Wall Systems for review of specific detail.

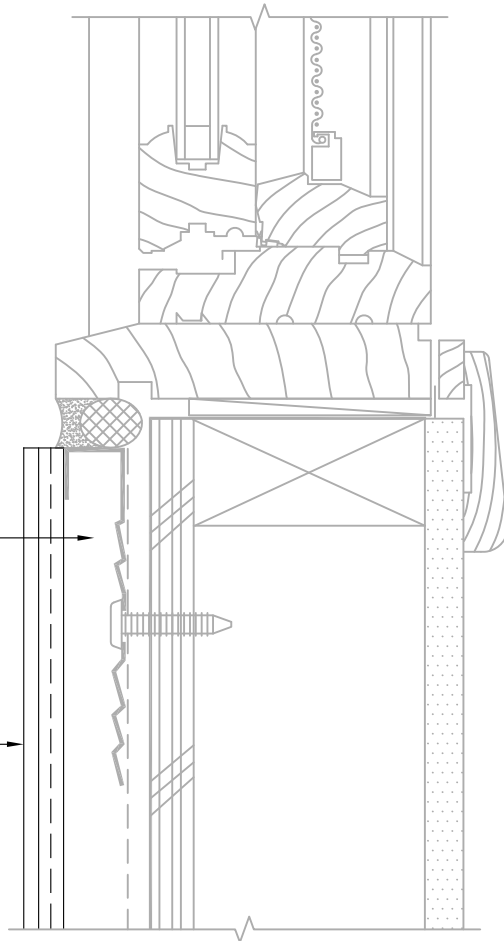
■ • BASF

We create chemistry

**NOTE: IF SEALANT IS REMOVED PRIOR TO
FINESTONE LAMINA APPLICATION, APPLY
BASECOAT INTO THE JOINT. USE
MASTERSEAL NP1 / NP2 / NP100 / OR NP150
W/ MASTERSEAL P173 PRIMER***

EXISTING STUCCO SYSTEM

FINESTONE LAMINA:
FINESTONE BASE COAT
FINESTONE REINFORCING MESH
OR BASF DIAMONDSHIELD
FINESTONE FINISH COAT



*BY OTHERS

REFERENCE reFINE STUCCO PROCEDURES AND RESURFACING SPECIFICATION FOR FURTHER INFORMATION

TYPICAL PRIMED WINDOW SILL FINESTONE STUCCO RESURFACING SYSTEM

SCALE: NTS

09

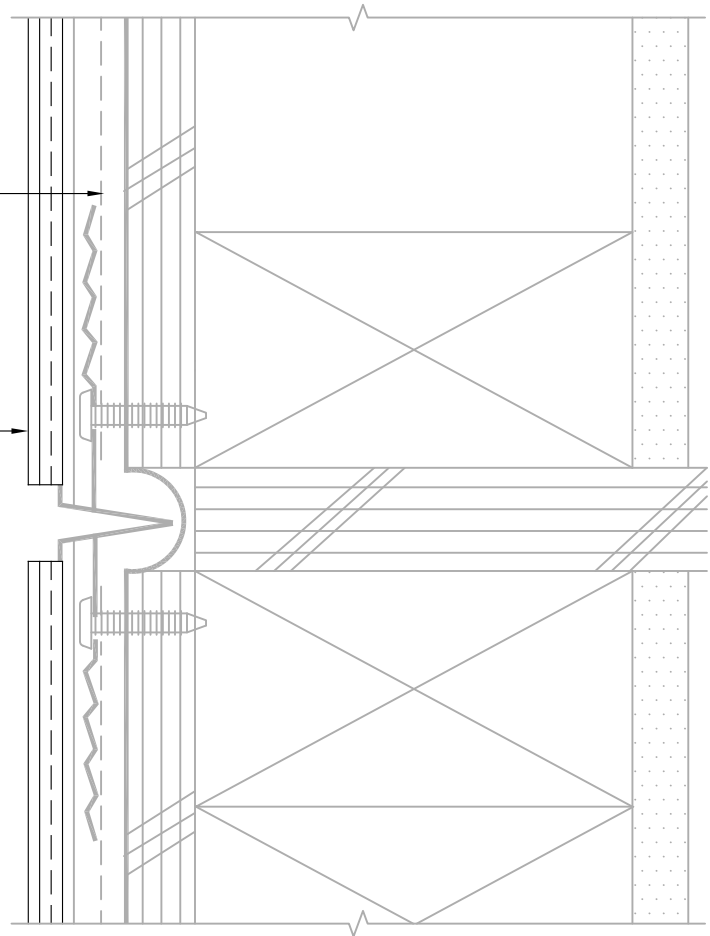
Structure, substrates, flashing, and other items which are not part of the BASF FINESTONE *Stucco Resurfacing System* are the responsibility of others. This detail is subject to change without notice. BASF Corporation - Wall Systems (herein after BASF Wall Systems) accepts no liability for the end use of this detail. For conditions not shown, consult BASF Wall Systems for review of specific detail.

■ ■ BASF

We create chemistry

EXISTING STUCCO SYSTEM

FINESTONE LAMINA:
FINESTONE BASE COAT
FINESTONE REINFORCING MESH
OR BASF DIAMONDSHIELD
FINESTONE FINISH COAT



REFERENCE reFINE STUCCO PROCEDURES AND RESURFACING SPECIFICATION FOR FURTHER INFORMATION

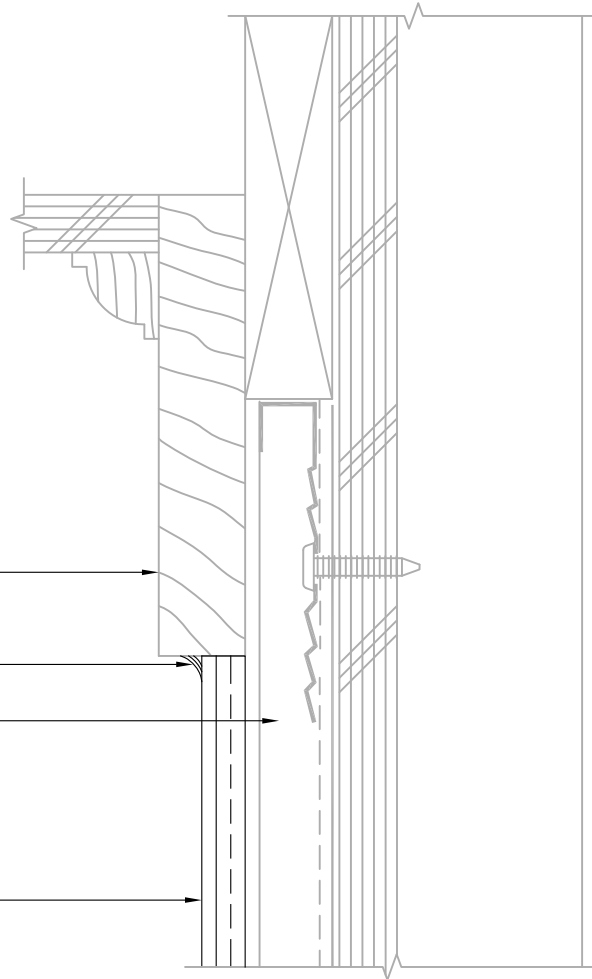
TYPICAL HORIZONTAL EXPANSION JOINT AT FLOOR LINE FINESTONE STUCCO RESURFACING SYSTEM

SCALE: NTS

10

Structure, substrates, flashing, and other items which are not part of the BASF FINESTONE *Stucco Resurfacing System* are the responsibility of others. This detail is subject to change without notice. BASF Corporation - Wall Systems (herein after BASF Wall Systems) accepts no liability for the end use of this detail. For conditions not shown, consult BASF Wall Systems for review of specific detail.

 **BASF**
We create chemistry



EXISTING SOFFIT/GABLE

MASTERSEAL NP1/ NP2/ NP100 OR NP150
W/ MASTERSEAL P173 PRIMER*

EXISTING STUCCO SYSTEM

FINESTONE LAMINA:
FINESTONE BASE COAT
FINESTONE REINFORCING MESH
OR BASF DIAMONDSHIELD
FINESTONE FINISH COAT

*BY OTHERS

REFERENCE reFINE STUCCO PROCEDURES AND RESURFACING SPECIFICATION FOR FURTHER INFORMATION

TYPICAL TERMINATION AT SOFFIT/GABLE FINESTONE STUCCO RESURFACING SYSTEM

SCALE: NTS

11

Structure, substrates, flashing, and other items which are not part of the BASF FINESTONE *Stucco Resurfacing System* are the responsibility of others. This detail is subject to change without notice. BASF Corporation - Wall Systems (herein after BASF Wall Systems) accepts no liability for the end use of this detail. For conditions not shown, consult BASF Wall Systems for review of specific detail.

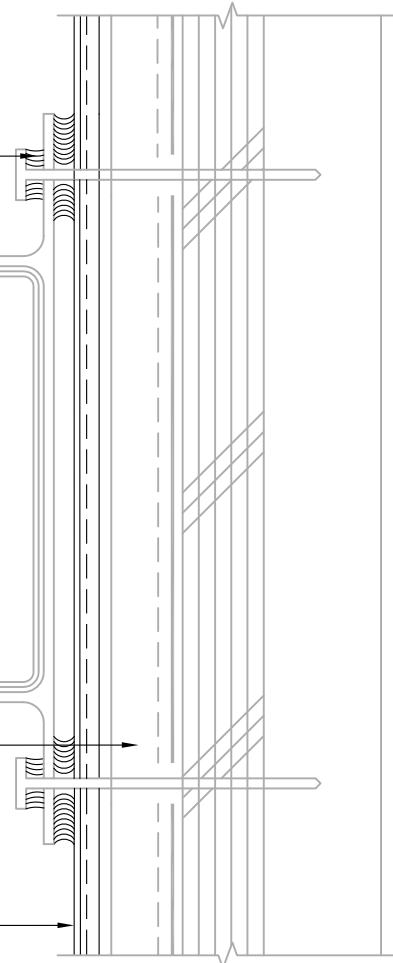
BASF
We create chemistry

MASTERSEAL NP1/ NP2/ NP100 OR NP150
W/ MASTERSEAL P173 PRIMER*

DOWNSPOUT*
**NOTE: REMOVE DOWNSPOUT
PRIOR TO APPLICATION OF
FINESTONE LAMINA**

EXISTING STUCCO SYSTEM

FINESTONE LAMINA:
FINESTONE BASE COAT
FINESTONE REINFORCING MESH
OR BASF DIAMONDSHIELD
FINESTONE FINISH COAT



*BY OTHERS

REFERENCE reFINE STUCCO PROCEDURES AND RESURFACING SPECIFICATION FOR FURTHER INFORMATION

TYPICAL DOWNSPOUT APPLICATION FINESTONE STUCCO RESURFACING SYSTEM

SCALE: NTS

12

Structure, substrates, flashing, and other items which are not part of the BASF FINESTONE *Stucco Resurfacing System* are the responsibility of others. This detail is subject to change without notice. BASF Corporation - Wall Systems (herein after BASF Wall Systems) accepts no liability for the end use of this detail. For conditions not shown, consult BASF Wall Systems for review of specific detail.

■ ■ BASF

We create chemistry

EXISTING STUCCO SYSTEM

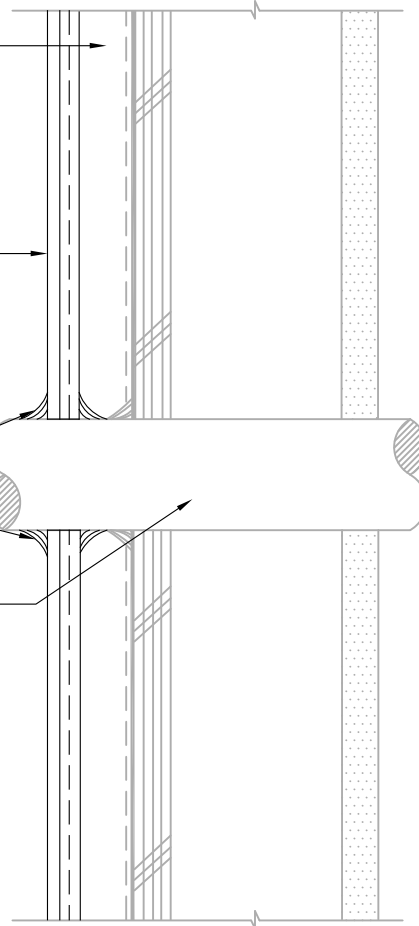
FINESTONE LAMINA:
FINESTONE BASE COAT
FINESTONE REINFORCING MESH
OR BASF DIAMONDSHIELD
FINESTONE FINISH COAT

MASTERSEAL NP1/ NP2/ NP100 OR NP150
W/ MASTERSEAL P173 PRIMER*

EXISTING PIPE

NOTE:

- EXISTING SEALANT THAT WILL INTERFERE WITH LAMINA APPLICATION MUST BE REMOVED.
- DO NOT APPLY LAMINA OVER SEALANT



*BY OTHERS

REFERENCE reFINE STUCCO PROCEDURES AND RESURFACING SPECIFICATION FOR FURTHER INFORMATION

TYPICAL PIPE PENETRATION

FINESTONE STUCCO RESURFACING SYSTEM

SCALE: NTS

13

Structure, substrates, flashing, and other items which are not part of the BASF FINESTONE *Stucco Resurfacing System* are the responsibility of others. This detail is subject to change without notice. BASF Corporation - Wall Systems (herein after BASF Wall Systems) accepts no liability for the end use of this detail. For conditions not shown, consult BASF Wall Systems for review of specific detail.

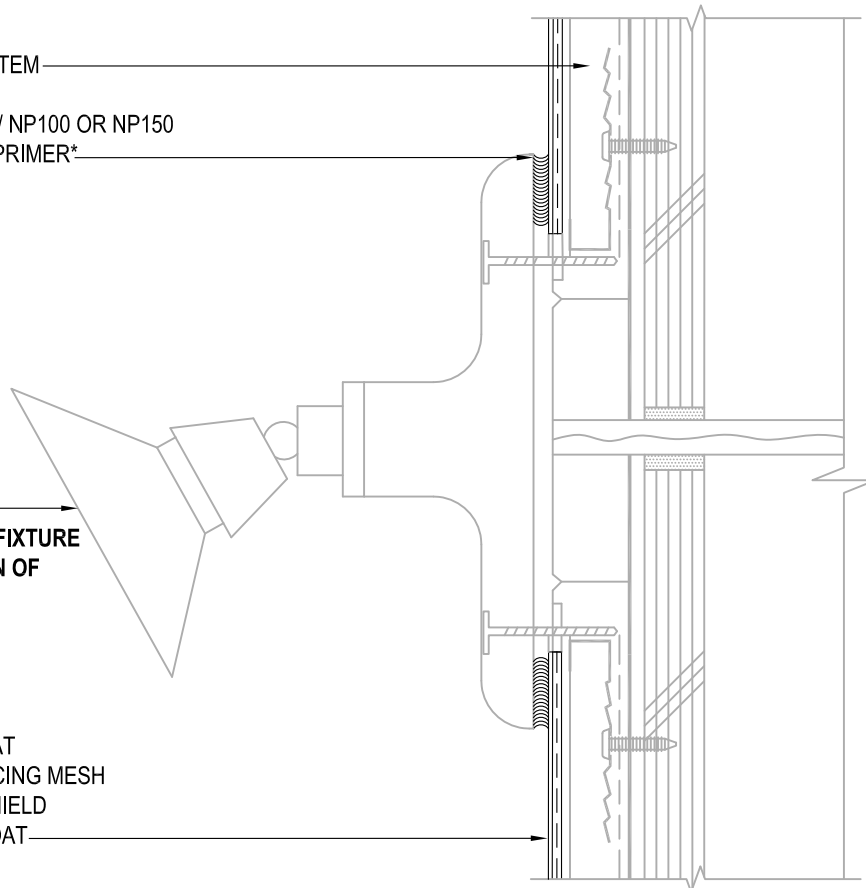
BASF
We create chemistry

EXISTING STUCCO SYSTEM

MASTERSEAL NP1/ NP2/ NP100 OR NP150
W/ MASTERSEAL P173 PRIMER*

LIGHT FIXTURE*
NOTE: REMOVE LIGHT FIXTURE
PRIOR TO APPLICATION OF
FINESTONE LAMINA

FINESTONE LAMINA:
FINESTONE BASE COAT
FINESTONE REINFORCING MESH
OR BASF DIAMONDSHIELD
FINESTONE FINISH COAT



*BY OTHERS

REFERENCE reFINE STUCCO PROCEDURES AND RESURFACING SPECIFICATION FOR FURTHER INFORMATION

TYPICAL LIGHT FIXTURE

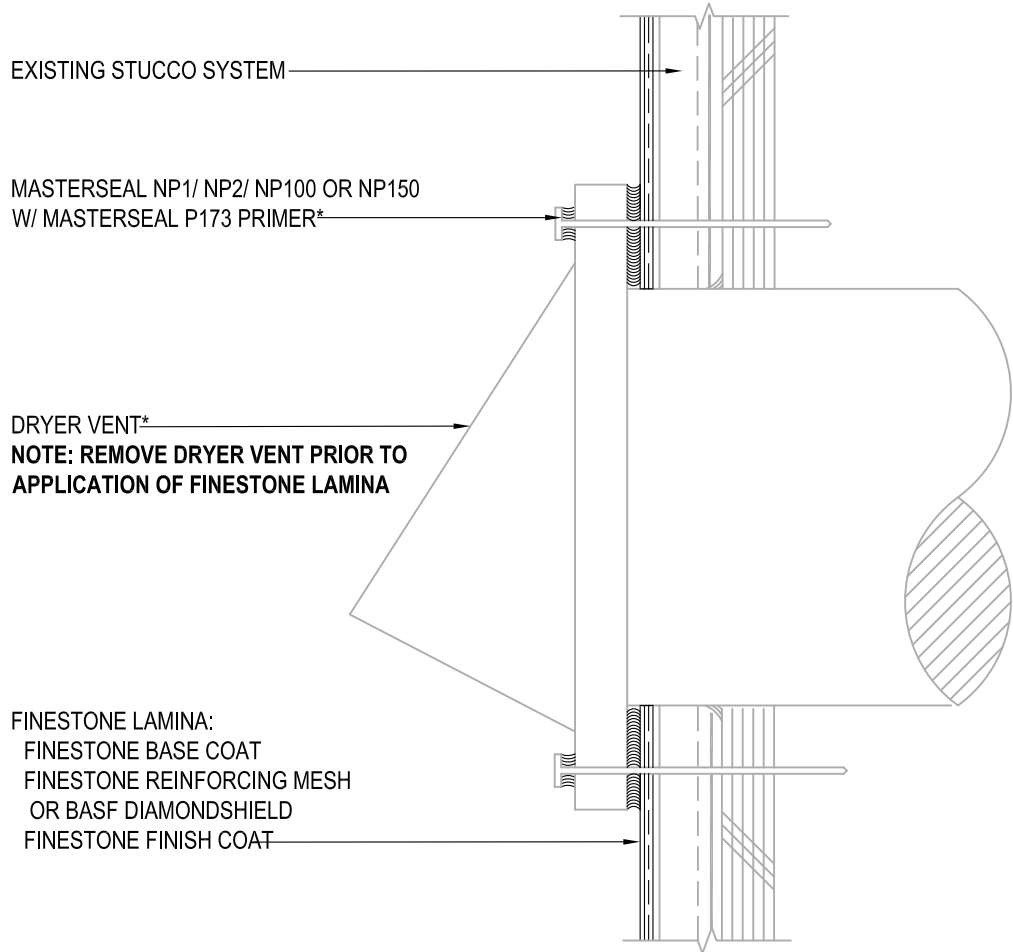
FINESTONE STUCCO RESURFACING SYSTEM

SCALE: NTS

14

Structure, substrates, flashing, and other items which are not part of the BASF Finestone Stucco Resurfacing System are the responsibility of others. This detail is subject to change without notice. BASF Corporation - Wall Systems (herein after BASF Wall Systems) accepts no liability for the end use of this detail. For conditions not shown, consult BASF Wall Systems for review of specific detail.

BASF
We create chemistry



*BY OTHERS

REFERENCE reFINE STUCCO PROCEDURES AND RESURFACING SPECIFICATION FOR FURTHER INFORMATION

TYPICAL DRYER VENT

FINESTONE STUCCO RESURFACING SYSTEM

SCALE: NTS

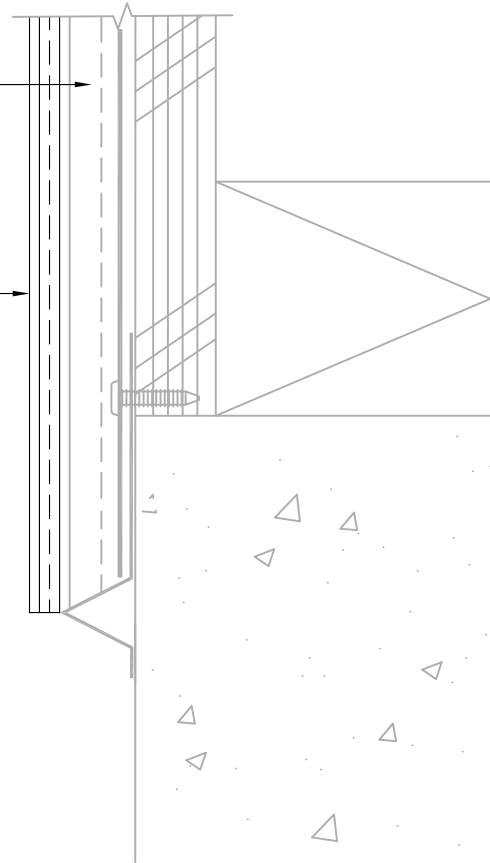
15

Structure, substrates, flashing, and other items which are not part of the BASF Finestone Stucco Resurfacing System are the responsibility of others. This detail is subject to change without notice. BASF Corporation - Wall Systems (herein after BASF Wall Systems) accepts no liability for the end use of this detail. For conditions not shown, consult BASF Wall Systems for review of specific detail.

BASF
We create chemistry

EXISTING STUCCO SYSTEM

FINESTONE LAMINA:
FINESTONE BASE COAT
FINESTONE REINFORCING MESH
OR BASF DIAMONDSHIELD
FINESTONE FINISH COAT



REFERENCE reFINE STUCCO PROCEDURES AND RESURFACING SPECIFICATION FOR FURTHER INFORMATION

TERMINATION AT FOUNDATION

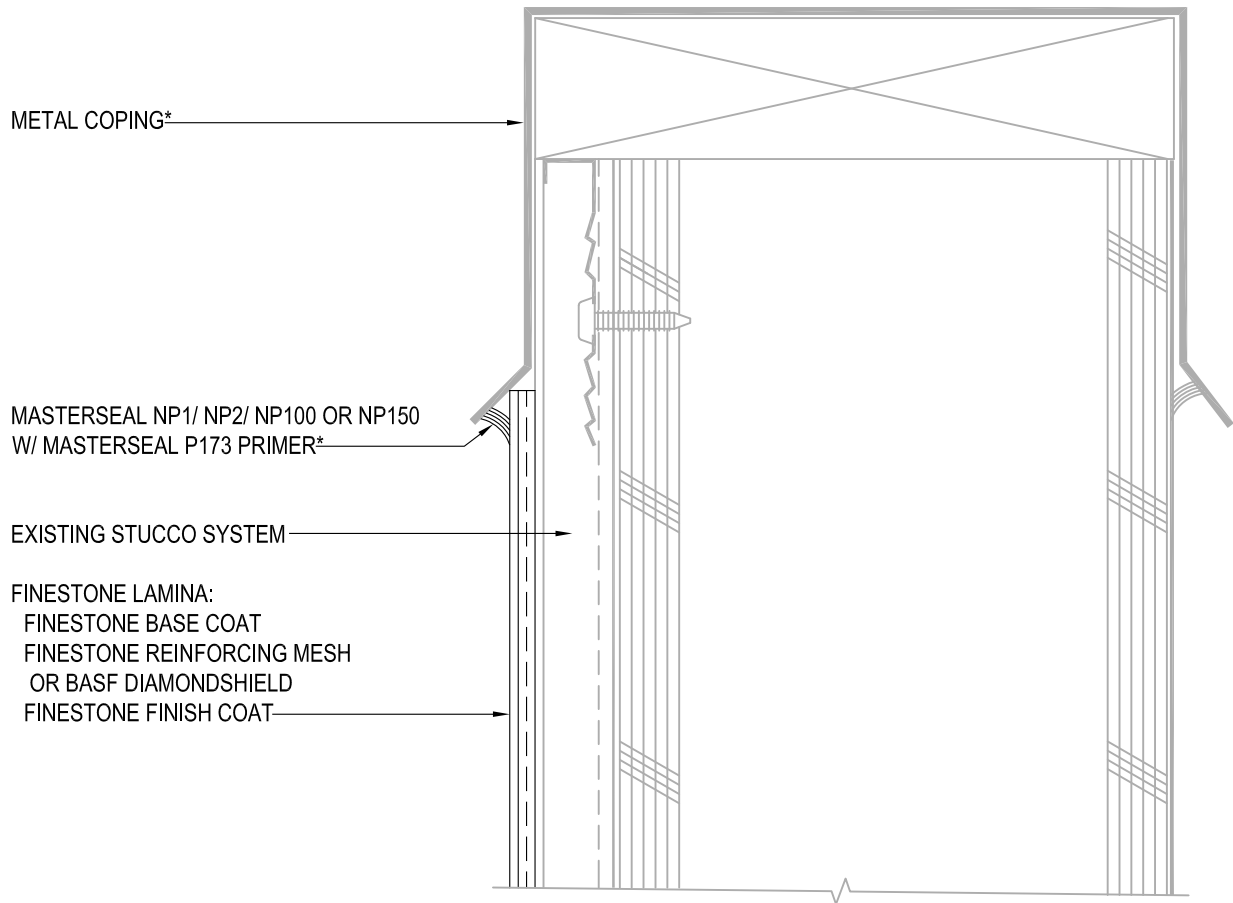
FINESTONE STUCCO RESURFACING SYSTEM

SCALE: NTS

16

Structure, substrates, flashing, and other items which are not part of the BASF Finestone Stucco Resurfacing System are the responsibility of others. This detail is subject to change without notice. BASF Corporation - Wall Systems (herein after BASF Wall Systems) accepts no liability for the end use of this detail. For conditions not shown, consult BASF Wall Systems for review of specific detail.

BASF
We create chemistry



*BY OTHERS

REFERENCE reFINE STUCCO PROCEDURES AND RESURFACING SPECIFICATION FOR FURTHER INFORMATION

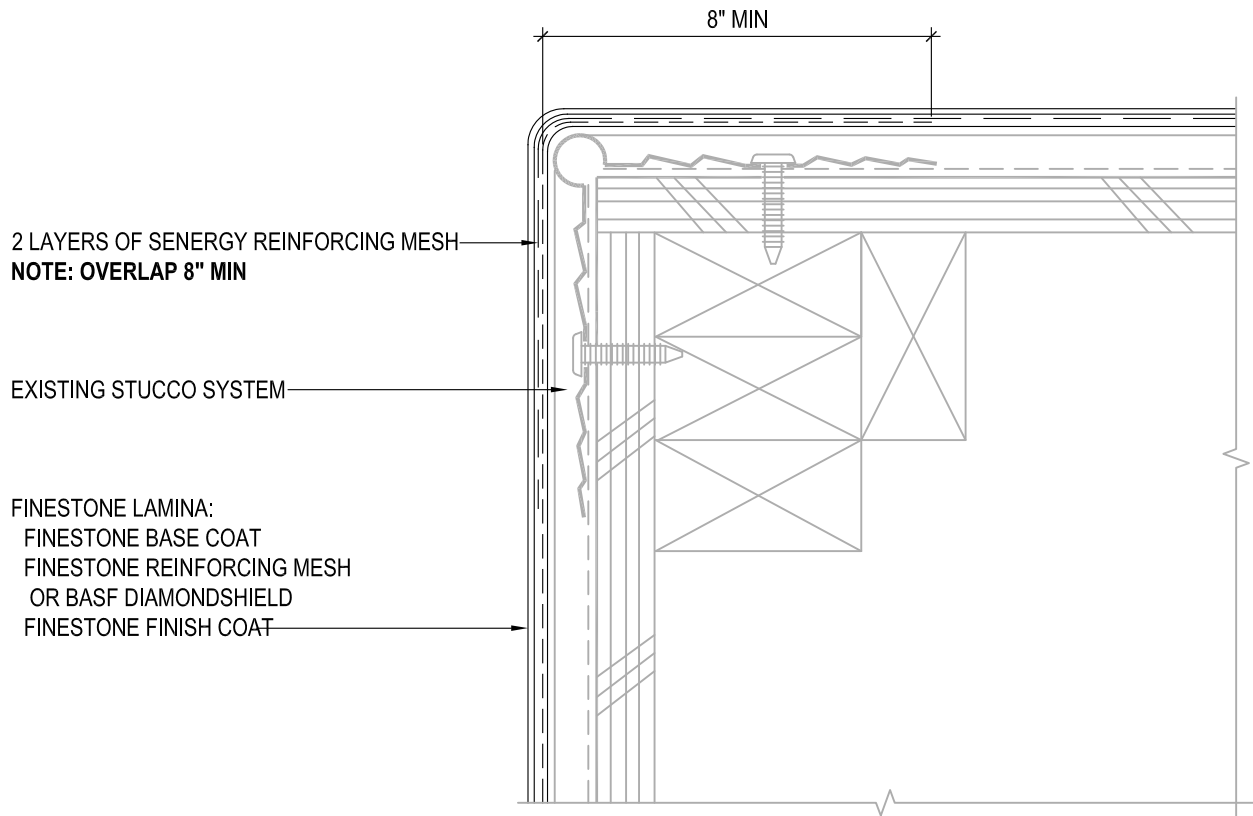
TYPICAL METAL COPING

FINESTONE STUCCO RESURFACING SYSTEM

SCALE: NTS
17

Structure, substrates, flashing, and other items which are not part of the BASF FINESTONE *Stucco Resurfacing System* are the responsibility of others. This detail is subject to change without notice. BASF Corporation - Wall Systems (herein after BASF Wall Systems) accepts no liability for the end use of this detail. For conditions not shown, consult BASF Wall Systems for review of specific detail.





REFERENCE reFINE STUCCO PROCEDURES AND RESURFACING SPECIFICATION FOR FURTHER INFORMATION

TYPICAL CORNER APPLICATION FINESTONE STUCCO RESURFACING SYSTEM

SCALE: NTS

18

Structure, substrates, flashing, and other items which are not part of the BASF FINESTONE *Stucco Resurfacing System* are the responsibility of others. This detail is subject to change without notice. BASF Corporation - Wall Systems (herein after BASF Wall Systems) accepts no liability for the end use of this detail. For conditions not shown, consult BASF Wall Systems for review of specific detail.

■ • BASF

We create chemistry