



Pebbletex Platinum CI

Exterior Cladding System Featuring
GPS Rigid Insulation Board

Typical Details



A brand of
MASTER[®]
» BUILDERS
SOLUTIONS

(THIS PAGE INTENTIONALLY LEFT BLANK)

Pebbletex Platinum CI

Typical Details

Exterior cladding System featuring
GPS Rigid Insulation Board

Table of Contents

1. Typical Adhesive Ribbon Application with Supplementary Fasteners (Front Elevation)
2. Typical Adhesive Ribbon Application with Supplementary Fasteners (Rear Elevation)
3. Typical Application over Sheathing
4. Typical Application over CMU / Concrete
5. Typical Application over Brick
6. Typical Termination at Foundation
7. Typical Termination at Foundation (Flush)
8. Typical Aesthetic Reveal
9. Typical Mesh Application with Standard Mesh, Intermediate 6 or 12
10. Typical Expansion Joint at Change in Substrate
11. Typical Expansion Joint
12. Typical Expansion Joint at Floorline
13. Typical Drainage at Floorline
14. Typical Window Head (Recessed)
15. Typical Window Head (Flush)
16. Typical Window Head with Weep Tubes (Flush)
17. Typical Window Jamb (Recessed)
18. Typical Window Jamb (Flush)
19. Typical Window Sill (Recessed)
20. Typical Window Sill (Flush)
21. Typical Light Fixture
22. Typical Pipe Penetration
23. Typical Railing Attachment
24. Typical Sign Attachment
25. Typical Application Direct Applied at Fascia/Soffit
26. Typical Section at Fascia/Soffit
27. Typical Coping / Roof Edge Flashing
28. Typical Parapet Cap
29. Typical Kick-Out Flashing

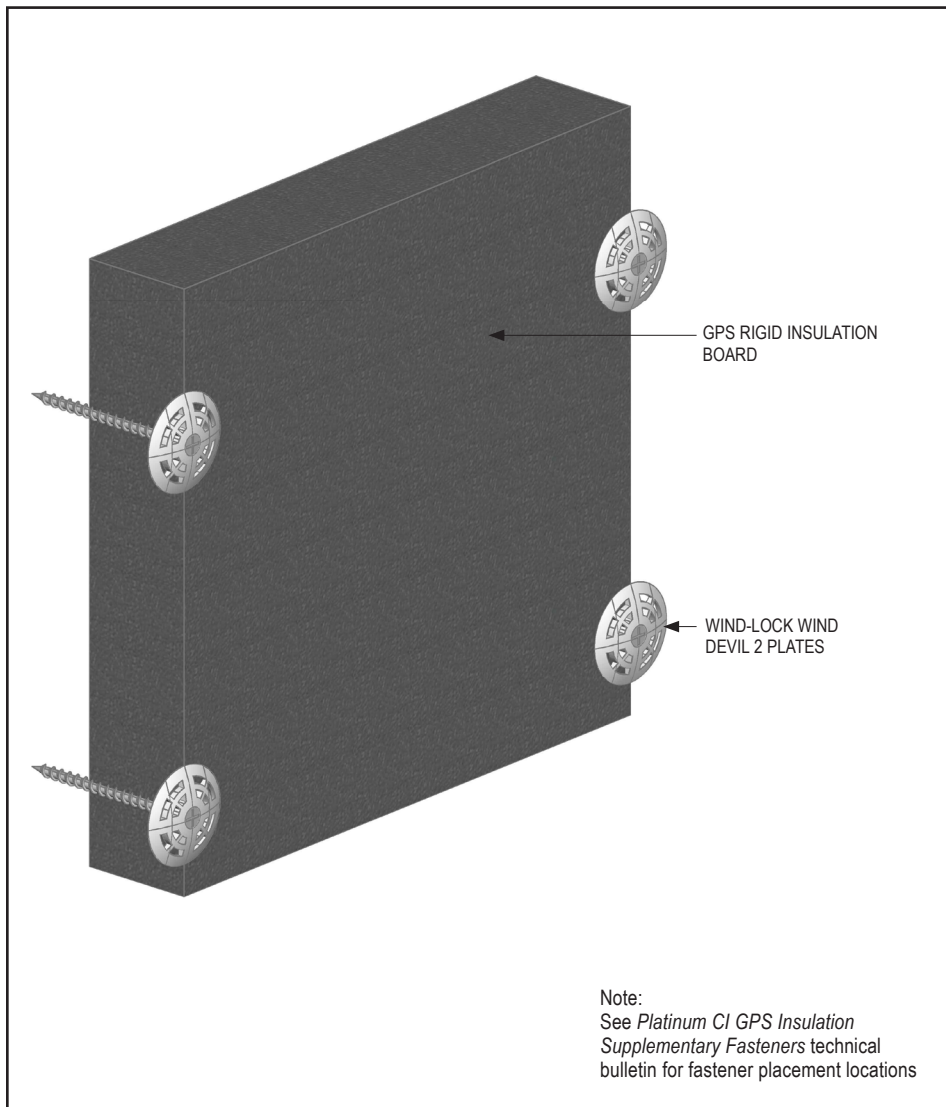
Notes:

- **Install Master Builders Solutions materials in accordance with current installation instructions.**
- **Unsatisfactory conditions shall be reported to the General Contractor and corrected before the application of Master Builders Solutions products.**
- **The details within represent Master Builders Solutions Construction Systems US, LLC (hereinafter Master Builders Solutions) latest recommendations. They are presented in good faith by Master Builders Solutions. The details are subject to change without notice. Master Builders Solutions accepts no liability for the end use of the details. For conditions not shown, consult Master Builders Solutions for review of specific detail.**

(THIS PAGE INTENTIONALLY LEFT BLANK)

Pebbletex Platinum CI Details

TYPICAL ADHESIVE RIBBON APPLICATION WITH SUPPLEMENTARY FASTENERS (FRONT ELEVATION)



- Install Master Builder Solutions materials in accordance with current installation instructions.
- Unsatisfactory conditions shall be reported to the General Contractor and corrected before the application of Master Builder Solutions products.
- Apply mixed base coat to entire surface of insulation board using a stainless steel trowel with 1/2" x 1/2" (13 mm x 13 mm) notches spaced 2" (50 mm) apart. Ribbons of adhesive must be applied parallel to the 2" (610 mm) dimension of the GPS Rigid Insulation Board to ensure they are vertical when the GPS Rigid Insulation Board is applied to the substrate.
- Set GPS Rigid Insulation Board into place and apply pressure over entire surface of board to ensure positive uniform contact and high initial grab. Do not slide board into place.
- GPS Rigid Insulation Board requires supplementary fasteners installed immediately after the board is adhesively attached and prior to the drying of the adhesive/base coat.

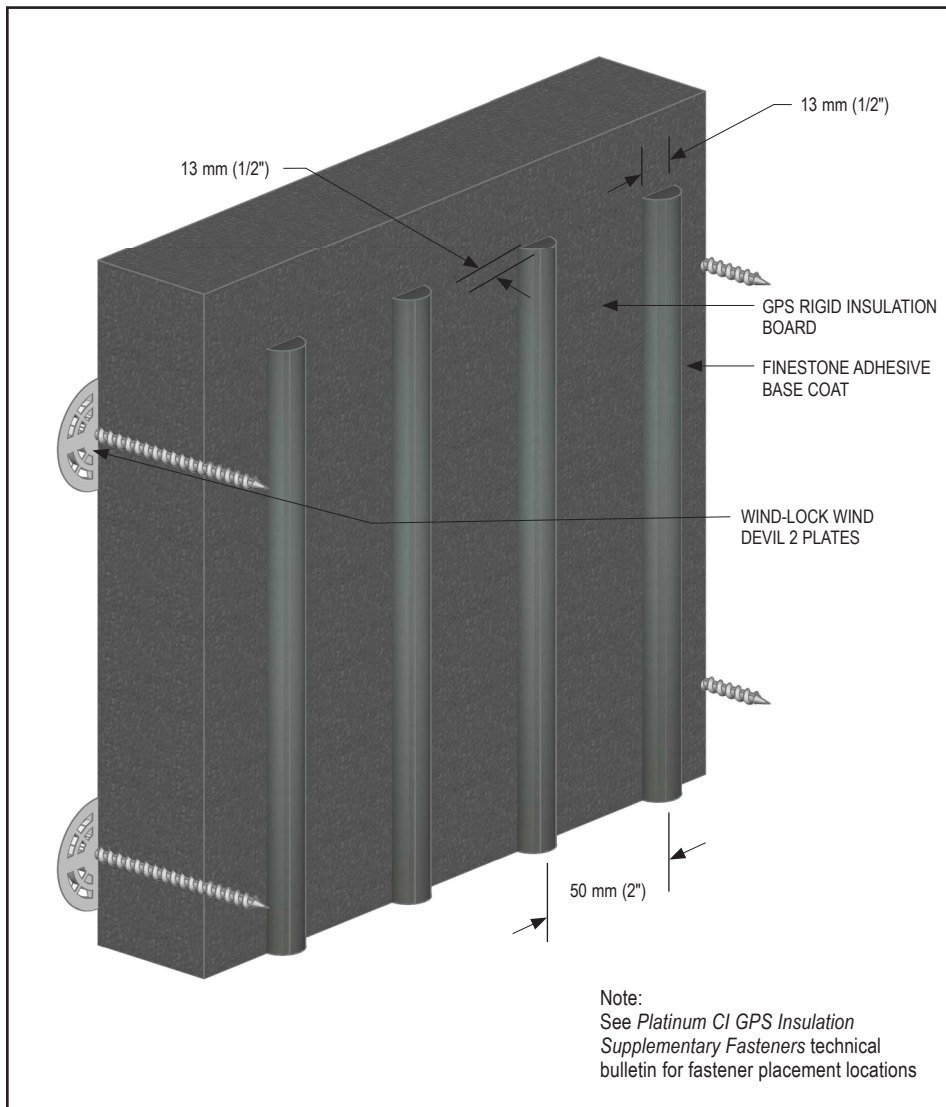
PCI-01 0921

(*NOTE: BY OTHERS)

This detail represents Master Builders Solutions Construction Systems US, LLC (hereinafter Master Builders Solutions) latest recommendations. It is presented in good faith by Master Builders Solutions. The detail is subject to change without notice. Master Builders Solutions accepts no liability for the end use of the detail. For conditions not shown, consult Master Builders Solutions for review of specific detail.

Pebbletex Platinum CI Details

TYPICAL ADHESIVE RIBBON APPLICATION WITH SUPPLEMENTARY FASTENERS (REAR ELEVATION)



PCI-02 0921

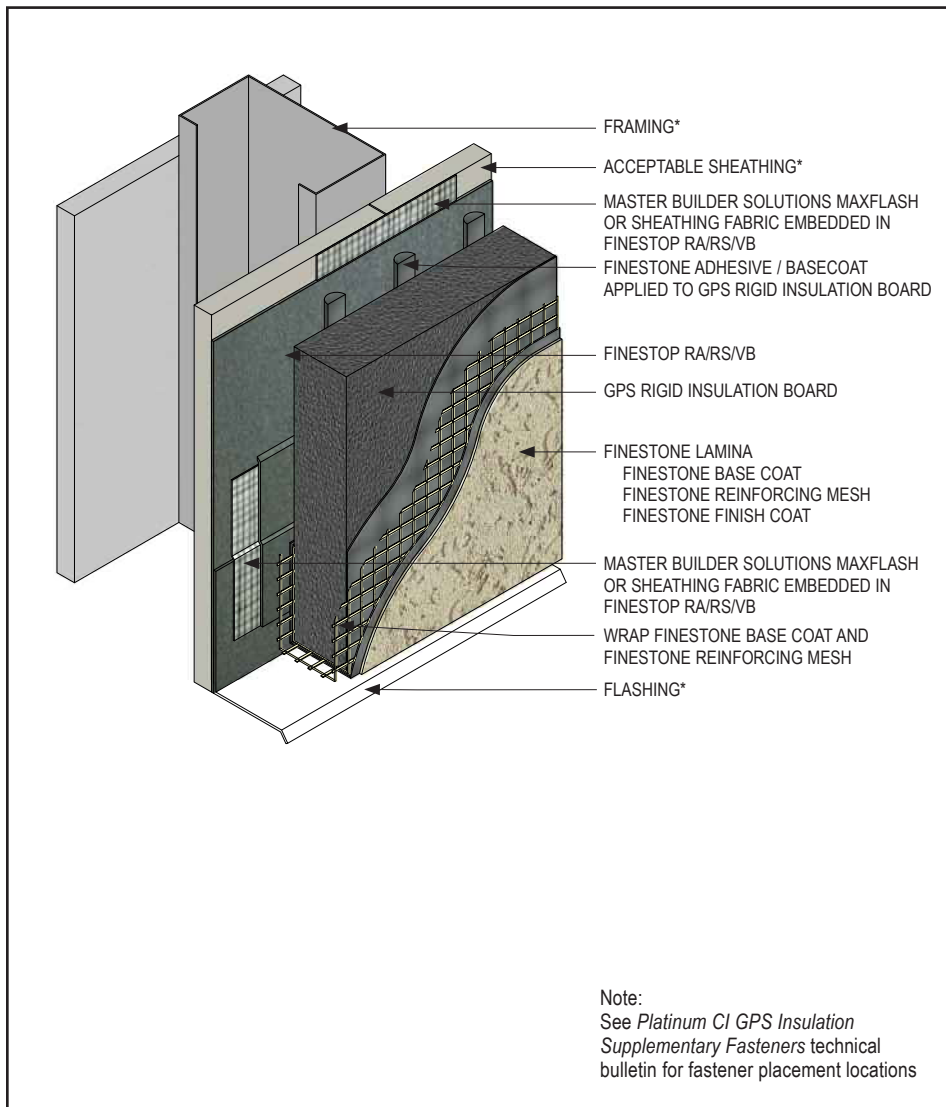
(*NOTE: BY OTHERS)

- Install Master Builder Solutions materials in accordance with current installation instructions.
- Unsatisfactory conditions shall be reported to the General Contractor and corrected before the application of Master Builder Solutions products.
- Apply mixed base coat to entire surface of insulation board using a stainless steel trowel with 1/2" x 1/2" (13 mm x 13 mm) notches spaced 2" (50 mm) apart. Ribbons of adhesive must be applied parallel to the 2" (610 mm) dimension of the GPS Rigid Insulation Board to ensure they are vertical when the GPS Rigid Insulation Board is applied to the substrate.
- Set GPS Rigid Insulation Board into place and apply pressure over entire surface of board to ensure positive uniform contact and high initial grab. Do not slide board into place.
- GPS Rigid Insulation Board requires supplementary fasteners installed immediately after the board is adhesively attached and prior to the drying of the adhesive/base coat.

This detail represents Master Builders Solutions Construction Systems US, LLC (hereinafter Master Builders Solutions) latest recommendations. It is presented in good faith by Master Builders Solutions. The detail is subject to change without notice. Master Builders Solutions accepts no liability for the end use of the detail. For conditions not shown, consult Master Builders Solutions for review of specific detail.

Pebbletex Platinum CI Details

TYPICAL APPLICATION OVER SHEATHING



- Install Master Builder Solutions materials in accordance with current installation instructions.
- Unsatisfactory conditions shall be reported to the General Contractor and corrected before the application of Master Builder Solutions products.
- All terminations must be fully encapsulated with mesh reinforced base coat.
- Ensure a means for drainage is provided at system termination.
- GPS Rigid Insulation Board requires supplementary fasteners installed immediately after the board is adhesively attached and prior to the drying of the adhesive/base coat.

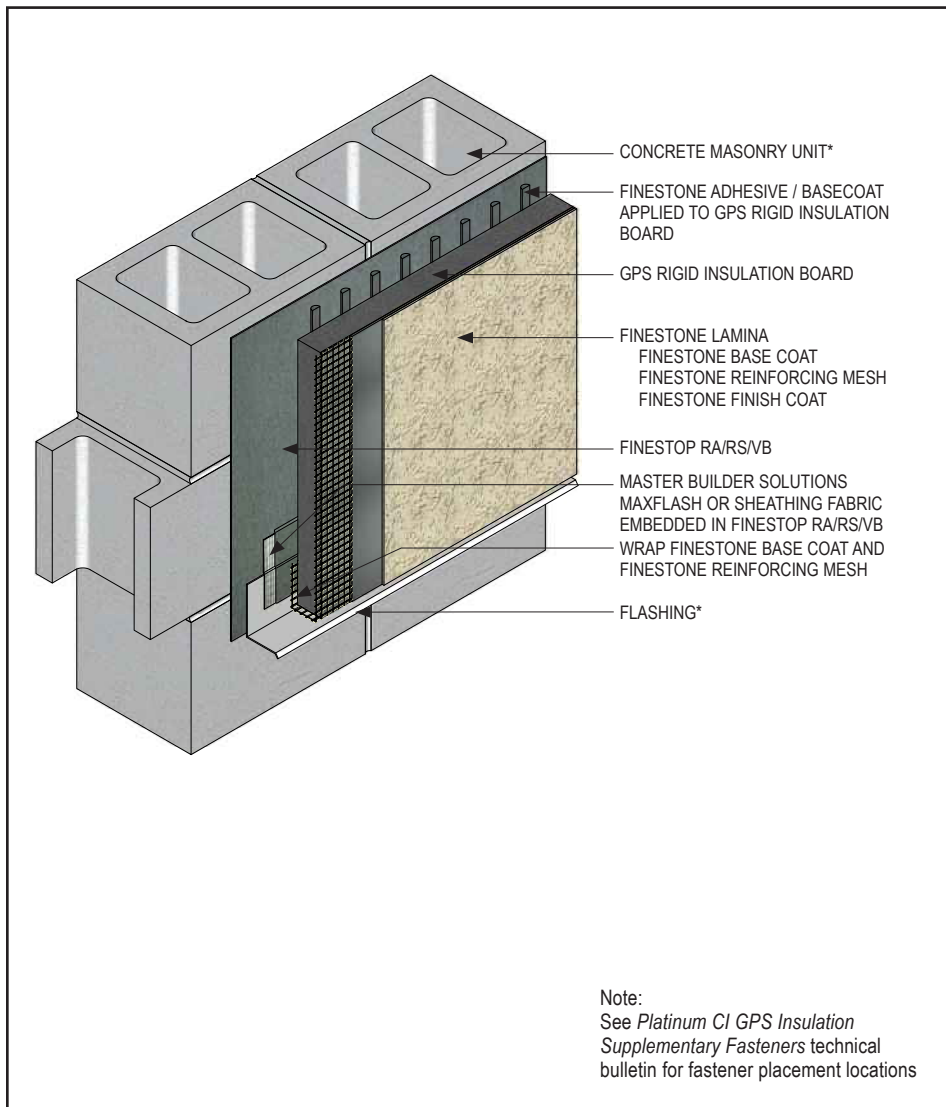
PCI-03 0921

(*NOTE: BY OTHERS)

This detail represents Master Builders Solutions Construction Systems US, LLC (hereinafter Master Builders Solutions) latest recommendations. It is presented in good faith by Master Builders Solutions. The detail is subject to change without notice. Master Builders Solutions accepts no liability for the end use of the detail. For conditions not shown, consult Master Builders Solutions for review of specific detail.

Pebbletex Platinum CI Details

TYPICAL APPLICATION OVER CMU / CONCRETE



- Install Master Builder Solutions materials in accordance with current installation instructions.
- Unsatisfactory conditions shall be reported to the General Contractor and corrected before the application of Master Builder Solutions products.
- All terminations must be fully encapsulated with mesh reinforced base coat.
- Ensure a means for drainage is provided at system termination.
- GPS Rigid Insulation Board requires supplementary fasteners installed immediately after the board is adhesively attached and prior to the drying of the adhesive/base coat.

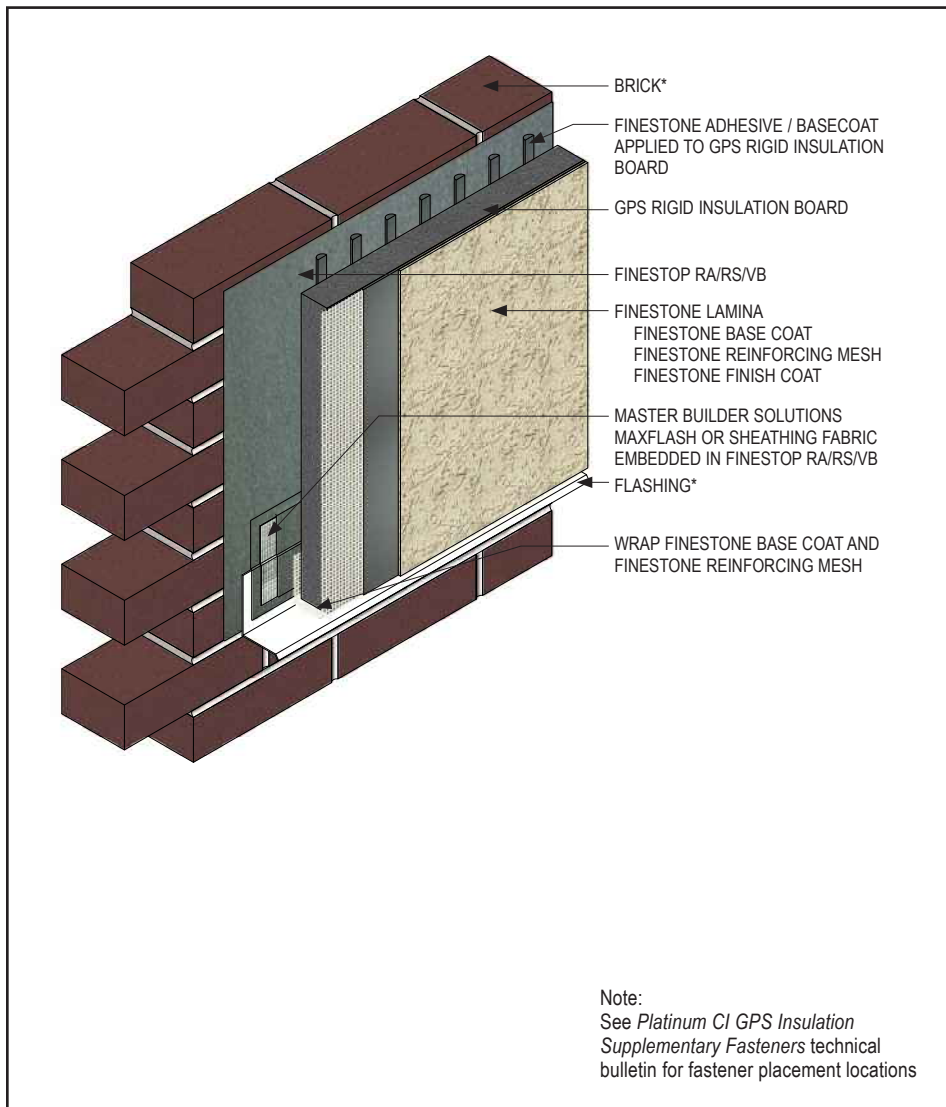
PCI-04 0921

(*NOTE: BY OTHERS)

This detail represents Master Builders Solutions Construction Systems US, LLC (hereinafter Master Builders Solutions) latest recommendations. It is presented in good faith by Master Builders Solutions. The detail is subject to change without notice. Master Builders Solutions accepts no liability for the end use of the detail. For conditions not shown, consult Master Builders Solutions for review of specific detail.

Pebbletex Platinum CI Details

TYPICAL APPLICATION OVER BRICK



- Install Master Builder Solutions materials in accordance with current installation instructions.
- Unsatisfactory conditions shall be reported to the General Contractor and corrected before the application of Master Builder Solutions products.
- All terminations must be fully encapsulated with mesh reinforced base coat.
- Ensure a means for drainage is provided at system termination.
- GPS Rigid Insulation Board requires supplementary fasteners installed immediately after the board is adhesively attached and prior to the drying of the adhesive/base coat.

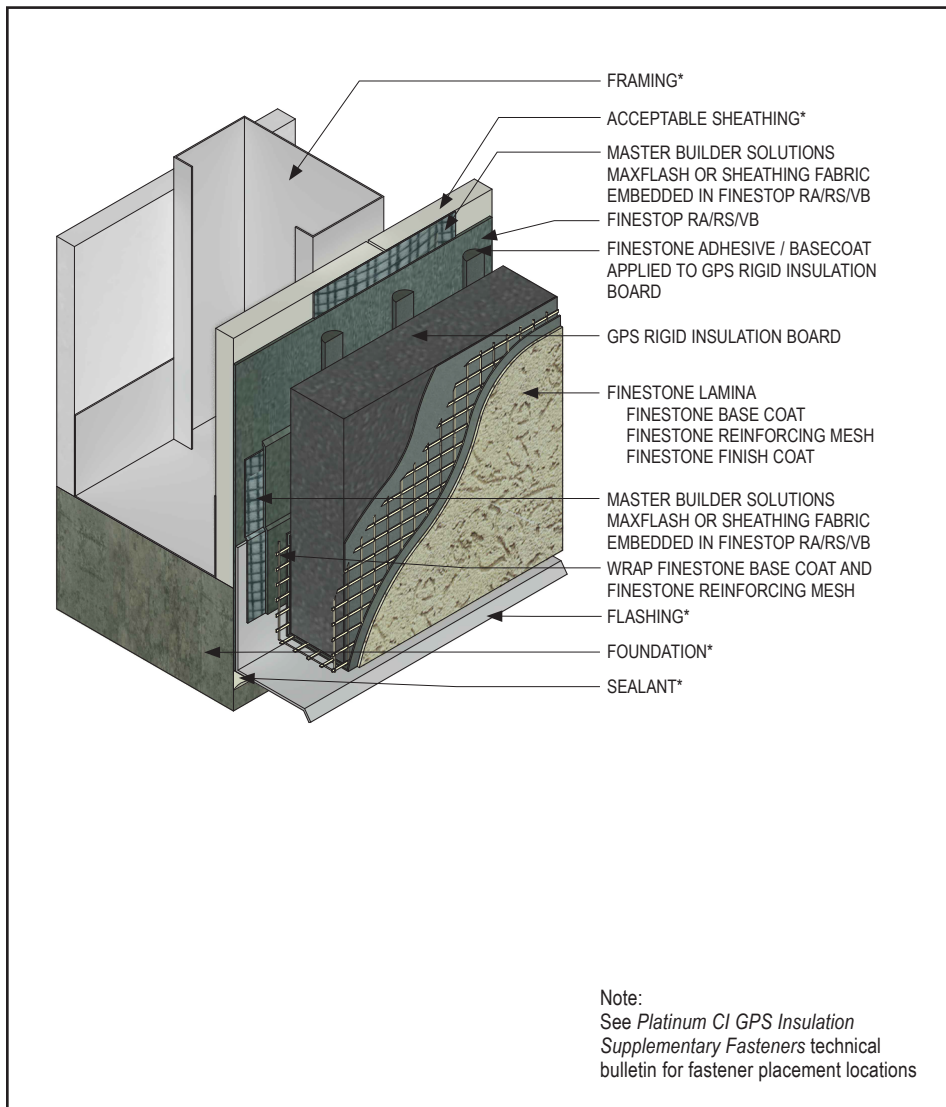
PCI-05 0921

(*NOTE: BY OTHERS)

This detail represents Master Builders Solutions Construction Systems US, LLC (hereinafter Master Builders Solutions) latest recommendations. It is presented in good faith by Master Builders Solutions. The detail is subject to change without notice. Master Builders Solutions accepts no liability for the end use of the detail. For conditions not shown, consult Master Builders Solutions for review of specific detail.

Pebbletex Platinum CI Details

TYPICAL TERMINATION AT FOUNDATION



- Install Master Builder Solutions materials in accordance with current installation instructions.
- Unsatisfactory conditions shall be reported to the General Contractor and corrected before the application of Master Builder Solutions products.
- All terminations must be fully encapsulated with mesh reinforced base coat.
- Ensure a means for drainage is provided at system termination at foundation.
- Terminate system a minimum of 8" (203 mm) above grade.
- Extend system a minimum of 2" (50 mm) and a maximum of 12" (305 mm) at the track foundation transition.
- GPS Rigid Insulation Board requires supplementary fasteners installed immediately after the board is adhesively attached and prior to the drying of the adhesive/base coat.

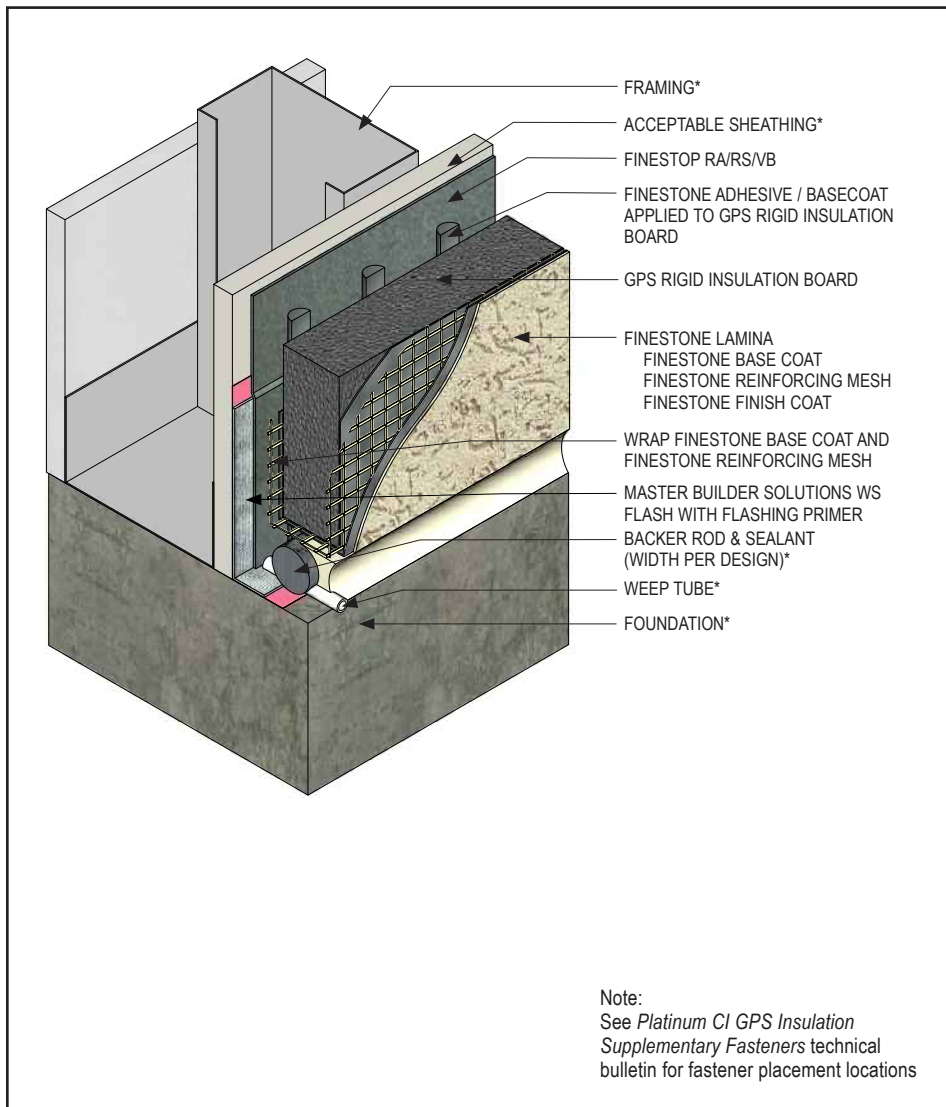
PCI-06 0921

(*NOTE: BY OTHERS)

This detail represents Master Builders Solutions Construction Systems US, LLC (hereinafter Master Builders Solutions) latest recommendations. It is presented in good faith by Master Builders Solutions. The detail is subject to change without notice. Master Builders Solutions accepts no liability for the end use of the detail. For conditions not shown, consult Master Builders Solutions for review of specific detail.

Pebbletex Platinum CI Details

TYPICAL TERMINATION AT FOUNDATION (FLUSH)



- Install Master Builder Solutions materials in accordance with current installation instructions.
- Unsatisfactory conditions shall be reported to the General Contractor and corrected before the application of Master Builder Solutions products.
- All terminations must be fully encapsulated with mesh reinforced base coat.
- Ensure a means for drainage is provided at system termination at foundation.
- Place weep tubes a maximum of 24" (610 mm) on center.
- Do not apply finish to areas that will receive sealant.
- GPS Rigid Insulation Board requires supplementary fasteners installed immediately after the board is adhesively attached and prior to the drying of the adhesive/base coat.

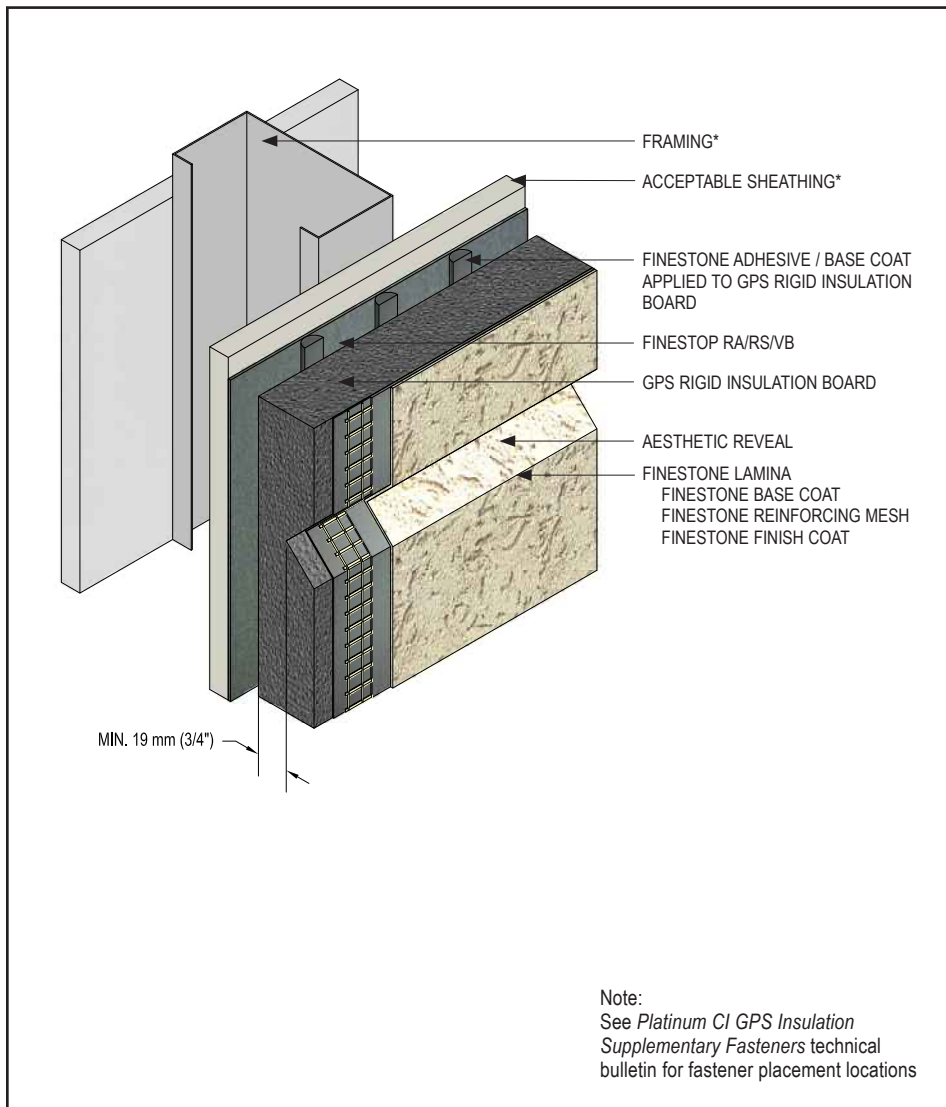
PCI-07 0921

(*NOTE: BY OTHERS)

This detail represents Master Builders Solutions Construction Systems US, LLC (hereinafter Master Builders Solutions) latest recommendations. It is presented in good faith by Master Builders Solutions. The detail is subject to change without notice. Master Builders Solutions accepts no liability for the end use of the detail. For conditions not shown, consult Master Builders Solutions for review of specific detail.

Pebbletex Platinum CI Details

TYPICAL AESTHETIC REVEAL



- Install Master Builder Solutions materials in accordance with current installation instructions.
- Unsatisfactory conditions shall be reported to the General Contractor and corrected before the application of Master Builder Solutions products.
- Maintain a minimum 3/4" (19 mm) thick GPS Rigid Insulation Board behind all reveals and aesthetic grooves.
- Reinforcing mesh shall be continuous through reveal and care shall be taken to ensure reinforcing mesh is not cut during base coat application.
- Horizontal reveals shall provide for outward positive drainage.
- Reveals must not occur at the abutment of two pieces of GPS Rigid Insulation Board.
- GPS Rigid Insulation Board requires supplementary fasteners installed immediately after the board is adhesively attached and prior to the drying of the adhesive/base coat.

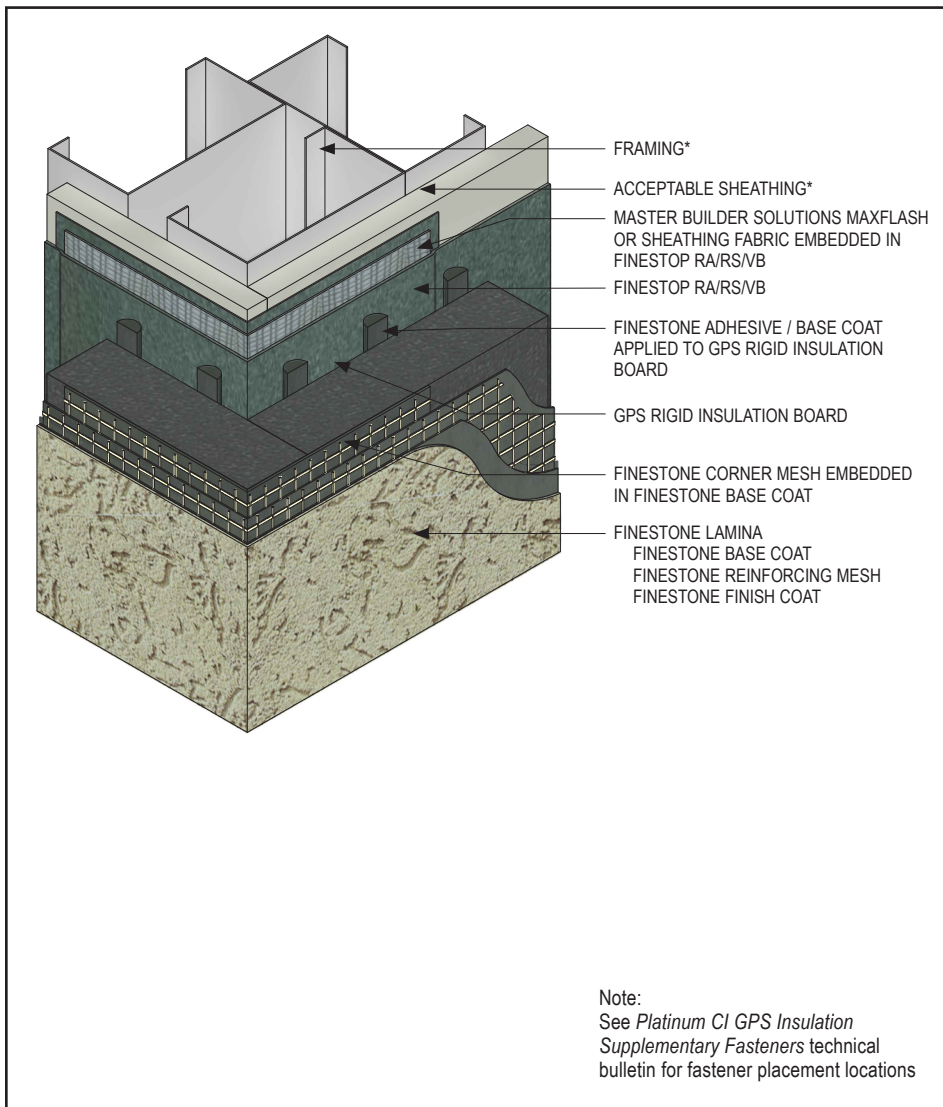
PCI-08 0921

(*NOTE: BY OTHERS)

This detail represents Master Builders Solutions Construction Systems US, LLC (hereinafter Master Builders Solutions) latest recommendations. It is presented in good faith by Master Builders Solutions. The detail is subject to change without notice. Master Builders Solutions accepts no liability for the end use of the detail. For conditions not shown, consult Master Builders Solutions for review of specific detail.

Pebbletex Platinum CI Details

TYPICAL MESH APPLICATION WITH STANDARD MESH, INTERMEDIATE 6 OR 12



- Install Master Builder Solutions materials in accordance with current installation instructions.
- Unsatisfactory conditions shall be reported to the General Contractor and corrected before the application of Master Builder Solutions products.
- Ensure Standard Mesh, Intermediate 6 or 12 Reinforcing Mesh is lapped a minimum of 8" (203 mm) around corners.
- GPS Rigid Insulation Board requires supplementary fasteners installed immediately after the board is adhesively attached and prior to the drying of the adhesive/base coat.

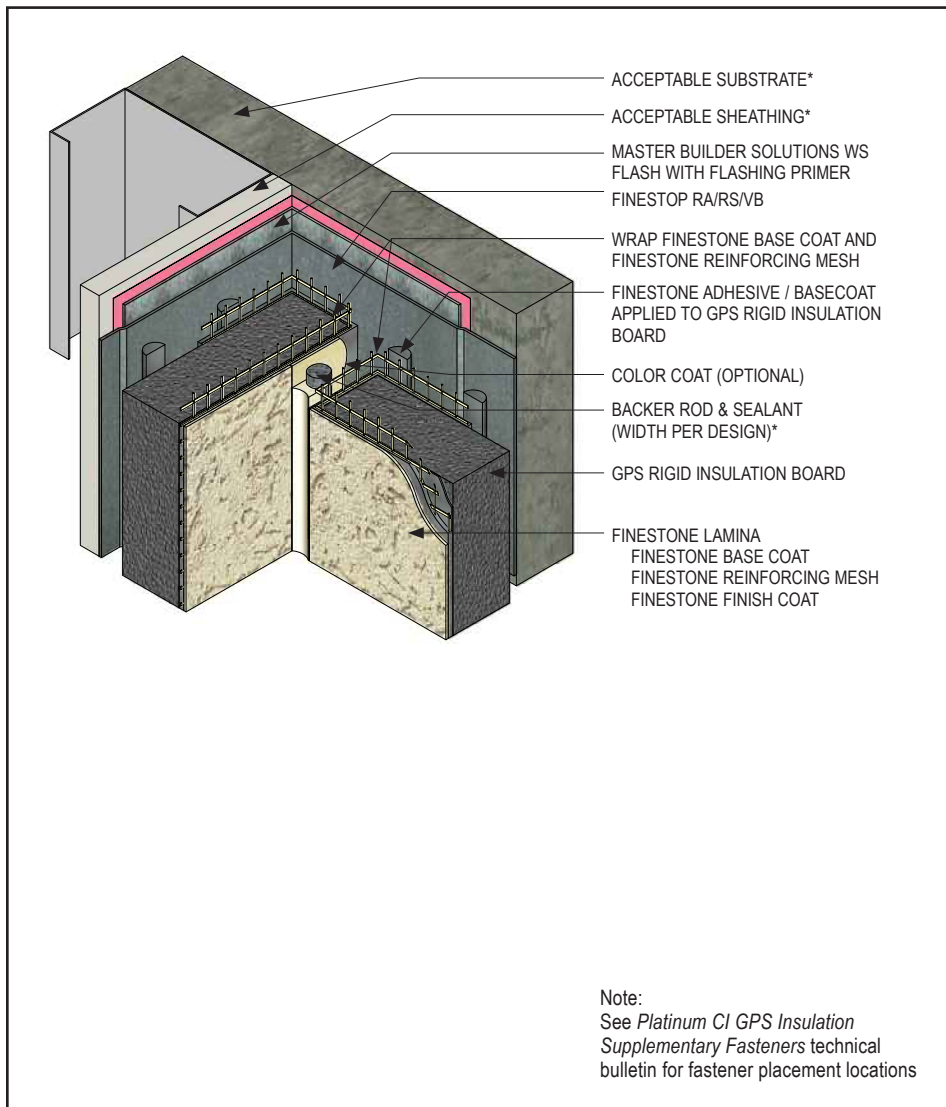
PCI-09 0921

(*NOTE: BY OTHERS)

This detail represents Master Builders Solutions Construction Systems US, LLC (hereinafter Master Builders Solutions) latest recommendations. It is presented in good faith by Master Builders Solutions. The detail is subject to change without notice. Master Builders Solutions accepts no liability for the end use of the detail. For conditions not shown, consult Master Builders Solutions for review of specific detail.

Pebbletex Platinum CI Details

TYPICAL EXPANSION JOINT AT CHANGE IN SUBSTRATE



- Install Master Builder Solutions materials in accordance with current installation instructions.
- Unsatisfactory conditions shall be reported to the General Contractor and corrected before the application of Master Builder Solutions products.
- All terminations must be fully encapsulated with mesh reinforced base coat.
- Do not apply finish to areas that will receive sealant.
- Ensure drainage plane is continuous and unobstructed at expansion joint.
- Install expansion joints in the system at all changes in substrate, terminations at dissimilar materials, through existing expansion joints, floor lines in multilevel wood frame construction, and where movement is anticipated. It is the sole responsibility of the design professional to determine specific expansion joint location, placement and design.
- GPS Rigid Insulation Board requires supplementary fasteners installed immediately after the board is adhesively attached and prior to the drying of the adhesive/base coat.

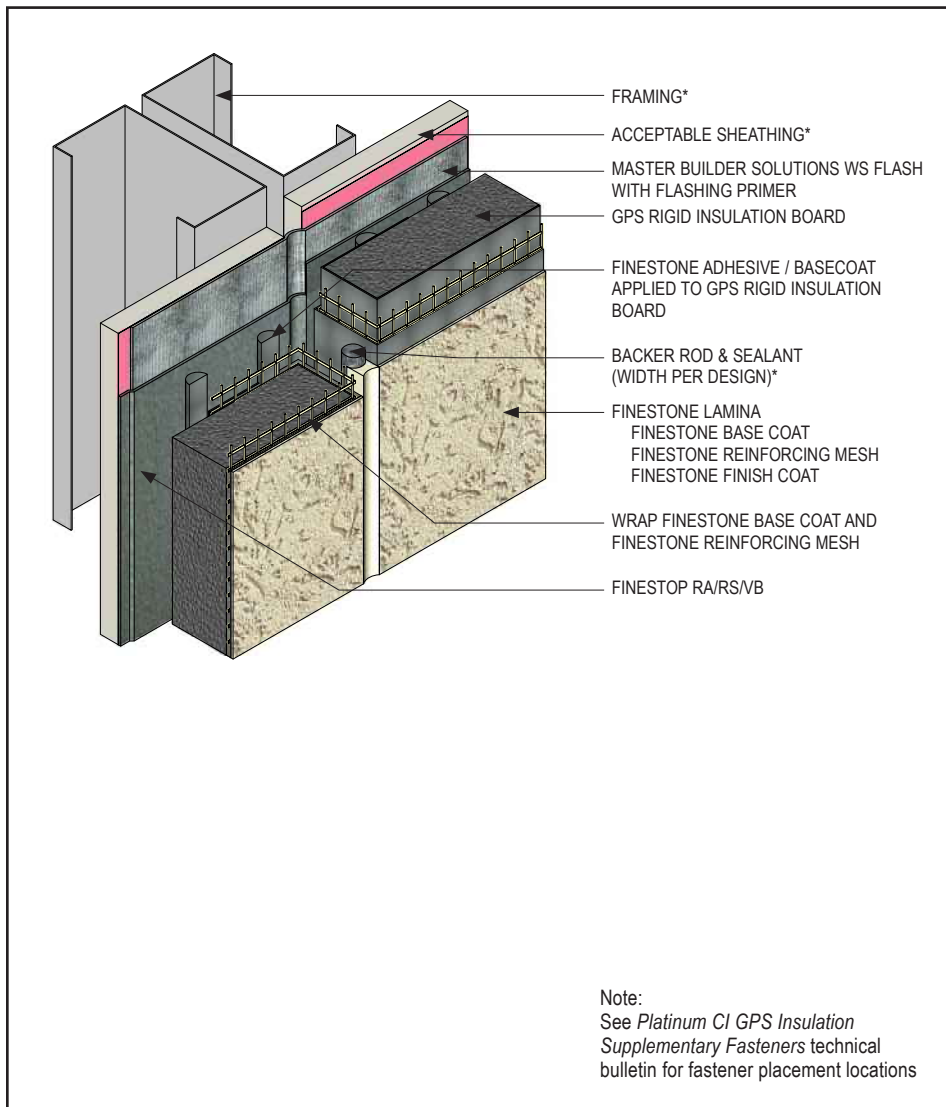
PCI-10 0921

(*NOTE: BY OTHERS)

This detail represents Master Builders Solutions Construction Systems US, LLC (hereinafter Master Builders Solutions) latest recommendations. It is presented in good faith by Master Builders Solutions. The detail is subject to change without notice. Master Builders Solutions accepts no liability for the end use of the detail. For conditions not shown, consult Master Builders Solutions for review of specific detail.

Pebbletex Platinum CI Details

TYPICAL EXPANSION JOINT



- Install Master Builder Solutions materials in accordance with current installation instructions.
- Unsatisfactory conditions shall be reported to the General Contractor and corrected before the application of Master Builder Solutions products.
- All terminations must be fully encapsulated with mesh reinforced base coat.
- Do not apply finish to areas that will receive sealant.
- Ensure drainage plane is continuous and unobstructed at expansion joint.
- Install expansion joints in the system at all changes in substrate, terminations at dissimilar materials, through existing expansion joints, floor lines in multilevel wood frame construction, and where movement is anticipated. It is the sole responsibility of the design professional to determine specific expansion joint location, placement and design.
- GPS Rigid Insulation Board requires supplementary fasteners installed immediately after the board is adhesively attached and prior to the drying of the adhesive/base coat.

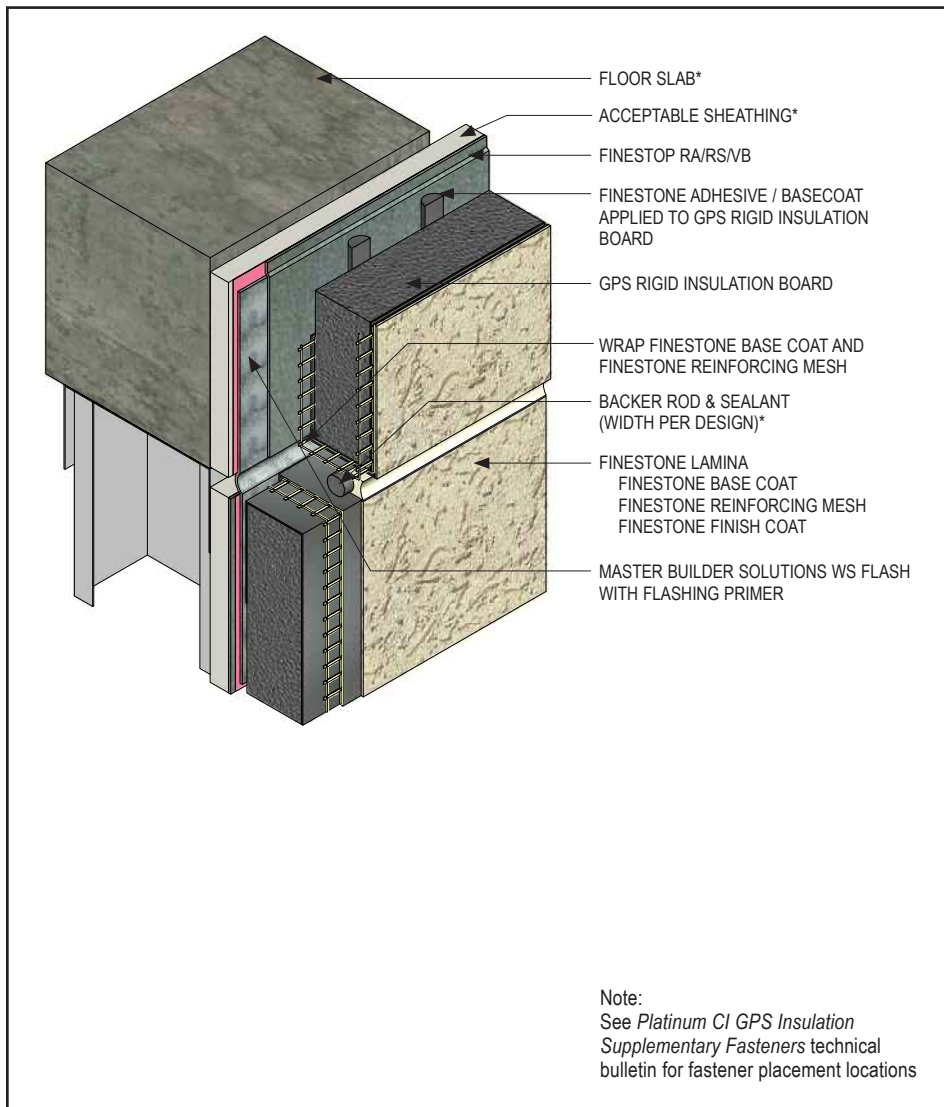
PCI-11 0921

(*NOTE: BY OTHERS)

This detail represents Master Builders Solutions Construction Systems US, LLC (hereinafter Master Builders Solutions) latest recommendations. It is presented in good faith by Master Builders Solutions. The detail is subject to change without notice. Master Builders Solutions accepts no liability for the end use of the detail. For conditions not shown, consult Master Builders Solutions for review of specific detail.

Pebbletex Platinum CI Details

TYPICAL EXPANSION JOINT AT FLOORLINE



- Install Master Builder Solutions materials in accordance with current installation instructions.
- Unsatisfactory conditions shall be reported to the General Contractor and corrected before the application of Master Builder Solutions products.
- All terminations must be fully encapsulated with mesh reinforced base coat.
- Do not apply finish to areas that will receive sealant.
- Install expansion joints in the system at all changes in substrate, terminations at dissimilar materials, through existing expansion joints, floor lines in multilevel wood frame construction, and where movement is anticipated. It is the sole responsibility of the design professional to determine specific expansion joint location, placement and design.
- It is recommended that a means for drainage is provided at every third floor. (See Typical Drainage at floorline detail).
- GPS Rigid Insulation Board requires supplementary fasteners installed immediately after the board is adhesively attached and prior to the drying of the adhesive/base coat.

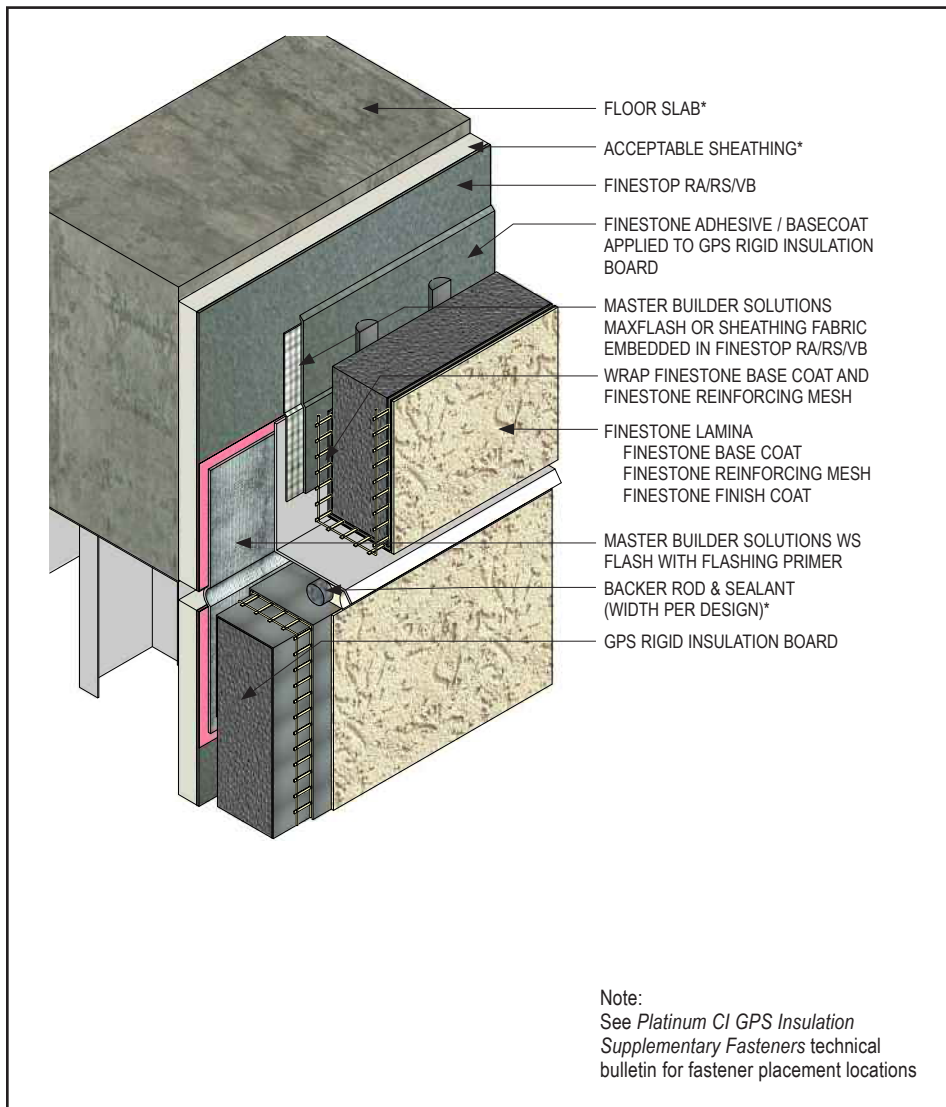
PCI-12 0921

(*NOTE: BY OTHERS)

This detail represents Master Builders Solutions Construction Systems US, LLC (hereinafter Master Builders Solutions) latest recommendations. It is presented in good faith by Master Builders Solutions. The detail is subject to change without notice. Master Builders Solutions accepts no liability for the end use of the detail. For conditions not shown, consult Master Builders Solutions for review of specific detail.

Pebbletex Platinum CI Details

TYPICAL DRAINAGE AT FLOORLINE



- Install Master Builder Solutions materials in accordance with current installation instructions.
- Unsatisfactory conditions shall be reported to the General Contractor and corrected before the application of Master Builder Solutions products.
- All terminations must be fully encapsulated with mesh reinforced base coat.
- Do not apply finish to areas that will receive sealant.
- Install expansion joints in the system at all changes in substrate, terminations at dissimilar materials, through existing expansion joints, floor lines in multilevel wood frame construction, and where movement is anticipated. It is the sole responsibility of the design professional to determine specific expansion joint location, placement and design.
- It is recommended that a means for drainage is provided at every third floor.
- GPS Rigid Insulation Board requires supplementary fasteners installed immediately after the board is adhesively attached and prior to the drying of the adhesive/base coat.

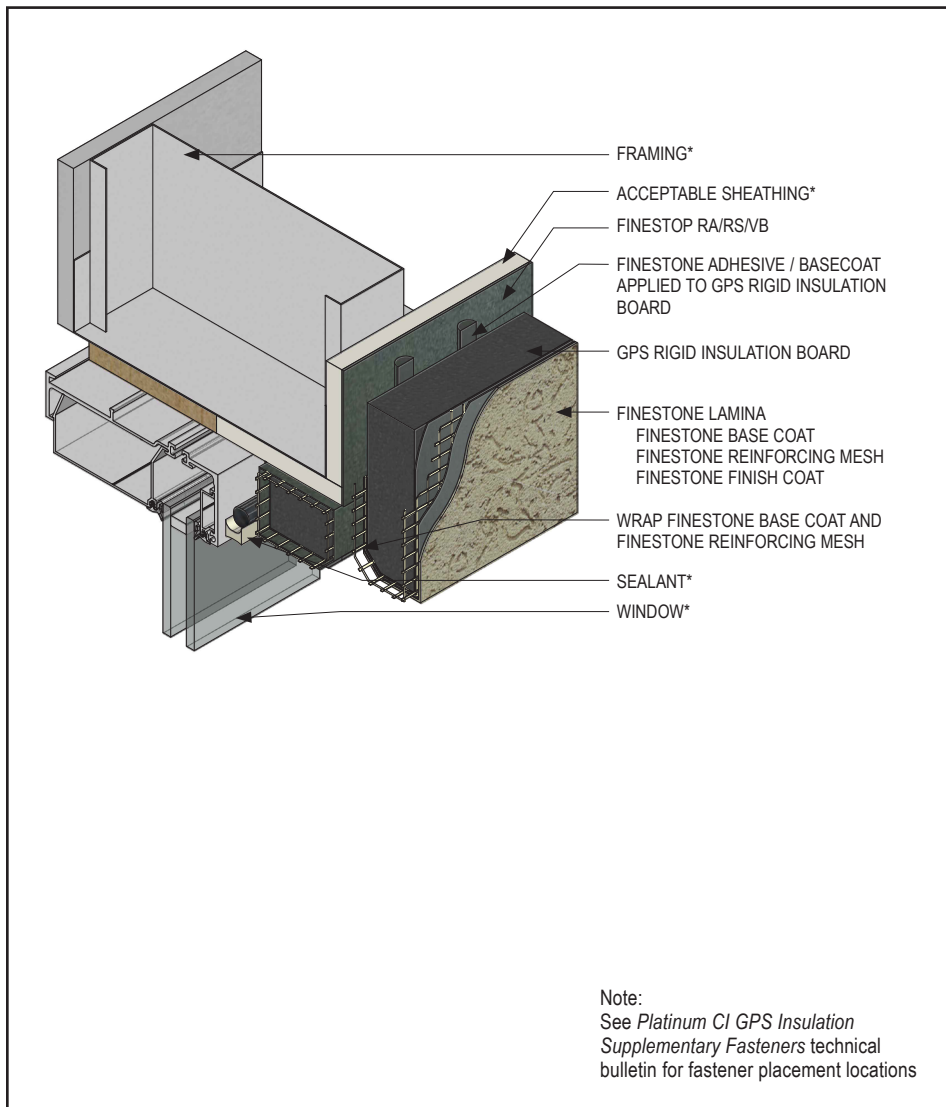
PCI-13 0921

(*NOTE: BY OTHERS)

This detail represents Master Builders Solutions Construction Systems US, LLC (hereinafter Master Builders Solutions) latest recommendations. It is presented in good faith by Master Builders Solutions. The detail is subject to change without notice. Master Builders Solutions accepts no liability for the end use of the detail. For conditions not shown, consult Master Builders Solutions for review of specific detail.

Pebbletex Platinum CI Details

TYPICAL WINDOW HEAD (RECESSED)



- Install Master Builder Solutions materials in accordance with current installation instructions.
- Unsatisfactory conditions shall be reported to the General Contractor and corrected before the application of Master Builder Solutions products.
- All terminations must be fully encapsulated with mesh reinforced base coat.
- Do not apply finish to areas that will receive sealant.
- Ensure a means for drainage is provided at system termination at window return.
- Provide a back wrapped type joint with backer rod and sealant at system terminations to dissimilar materials, ensuring that a water tight seal is achieved (width per design).
- GPS Rigid Insulation Board requires supplementary fasteners installed immediately after the board is adhesively attached and prior to the drying of the adhesive/base coat.
- As an air barrier, ensure Finestop RA/RS/VB or MaxFlash is properly applied into the rough opening at the head in accordance with application guidelines and code requirements prior to GPS Rigid Insulation Board application.

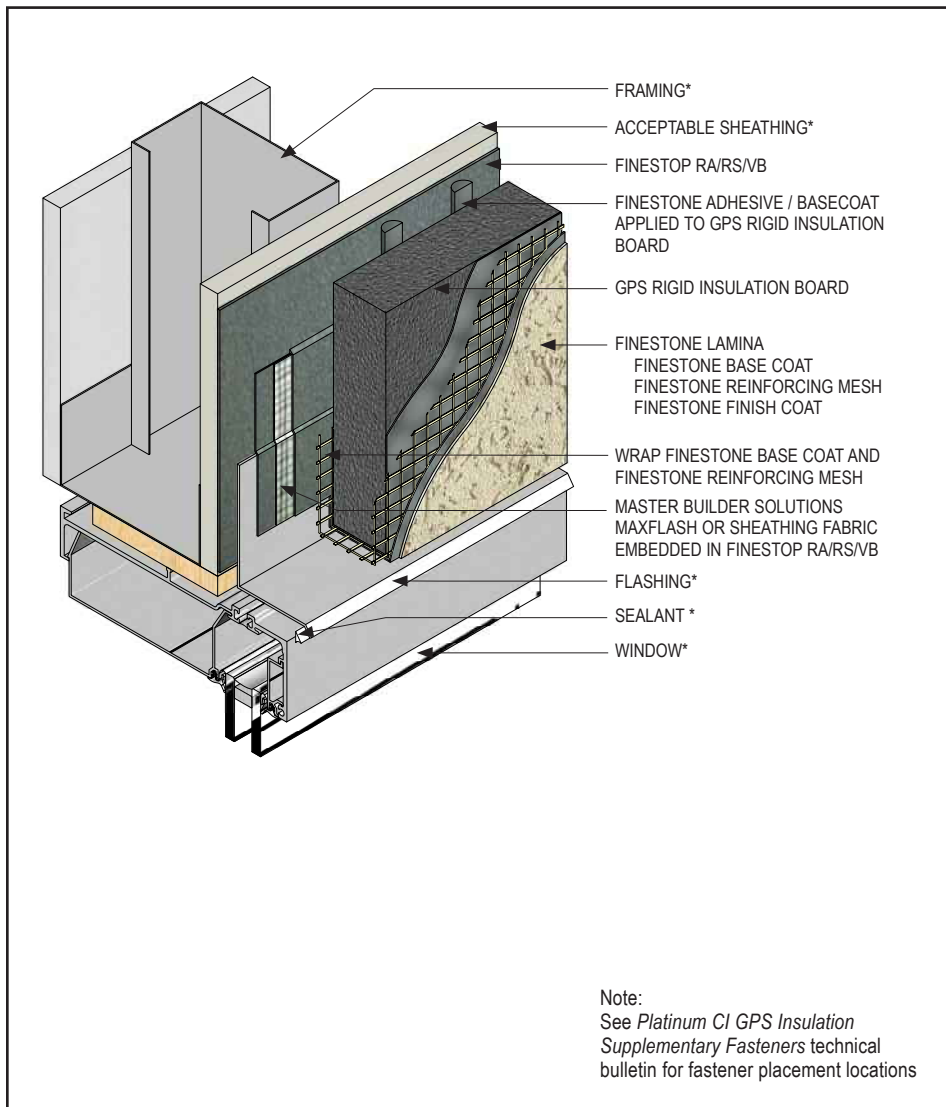
PCI-14 0921

(*NOTE: BY OTHERS)

This detail represents Master Builders Solutions Construction Systems US, LLC (hereinafter Master Builders Solutions) latest recommendations. It is presented in good faith by Master Builders Solutions. The detail is subject to change without notice. Master Builders Solutions accepts no liability for the end use of the detail. For conditions not shown, consult Master Builders Solutions for review of specific detail.

Pebbletex Platinum CI Details

TYPICAL WINDOW HEAD (FLUSH)



- Install Master Builder Solutions materials in accordance with current installation instructions.
- Unsatisfactory conditions shall be reported to the General Contractor and corrected before the application of Master Builder Solutions products.
- All terminations must be fully encapsulated with mesh reinforced base coat.
- Ensure a means for drainage is provided at system termination at window head.
- Provide end-dams at flashing terminations.
- GPS Rigid Insulation Board requires supplementary fasteners installed immediately after the board is adhesively attached and prior to the drying of the adhesive/base coat.
- As an air barrier, ensure Finestop RA/RS/VB or MaxFlash is properly applied into the rough opening at the head in accordance with application guidelines and code requirements prior to GPS Rigid Insulation Board application.

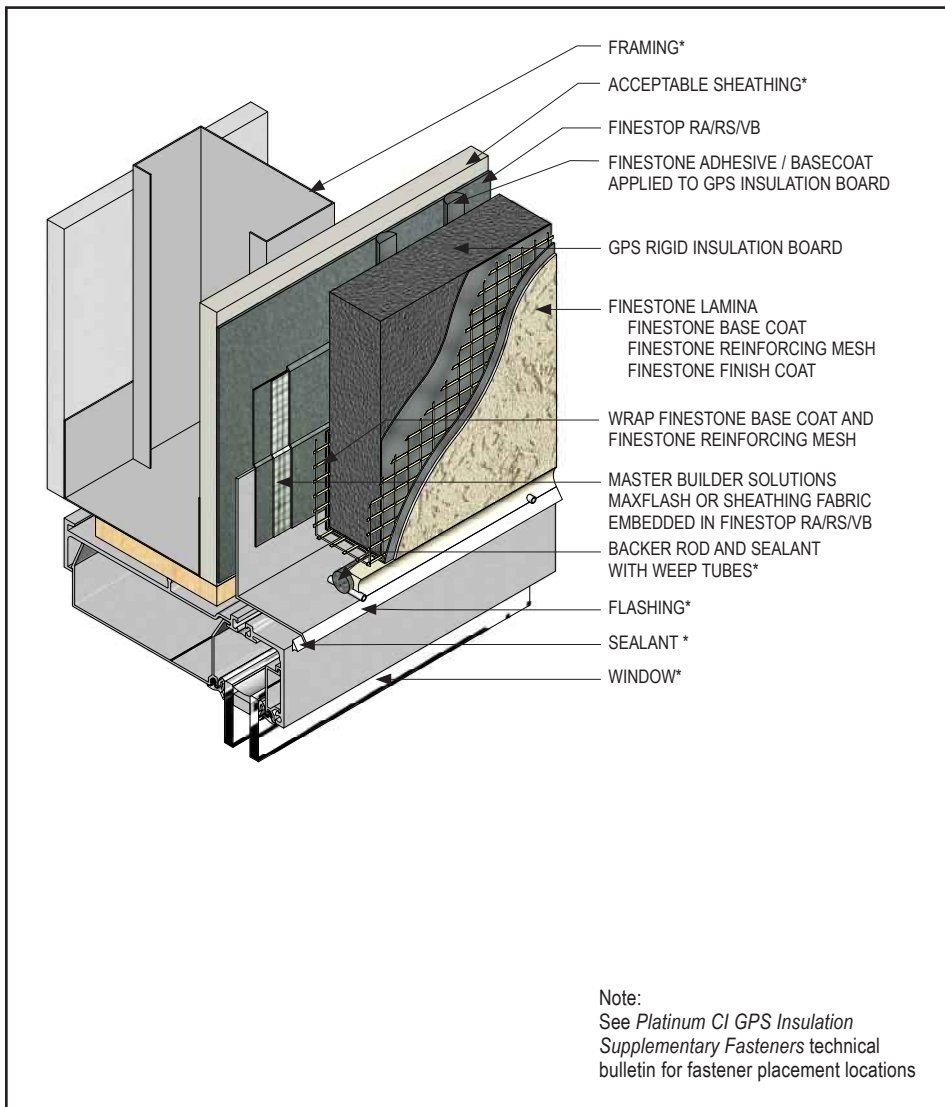
PCI-15

(*NOTE: BY OTHERS)

This detail represents Master Builders Solutions Construction Systems US, LLC (hereinafter Master Builders Solutions) latest recommendations. It is presented in good faith by Master Builders Solutions. The detail is subject to change without notice. Master Builders Solutions accepts no liability for the end use of the detail. For conditions not shown, consult Master Builders Solutions for review of specific detail.

Pebbletex Platinum CI Details

TYPICAL WINDOW HEAD (FLUSH) WITH WEEP TUBES



- Install Master Builder Solutions materials in accordance with current installation instructions.
- Unsatisfactory conditions shall be reported to the General Contractor and corrected before the application of Master Builder Solutions products.
- All terminations must be fully encapsulated with mesh reinforced base coat.
- Ensure a means for drainage is provided at system termination at window head.
- Provide end-dams at flashing terminations.
- Place weep tubes a maximum of 16" (406 mm) on center.
- Do not apply finish to areas that will receive sealant.
- GPS Rigid Insulation Board requires supplementary fasteners installed immediately after the board is adhesively attached and prior to the drying of the adhesive/base coat.
- As an air barrier, ensure Finestop RA/RS/VB or MaxFlash is properly applied into the rough opening at the head in accordance with application guidelines and code requirements prior to GPS Rigid Insulation Board application.

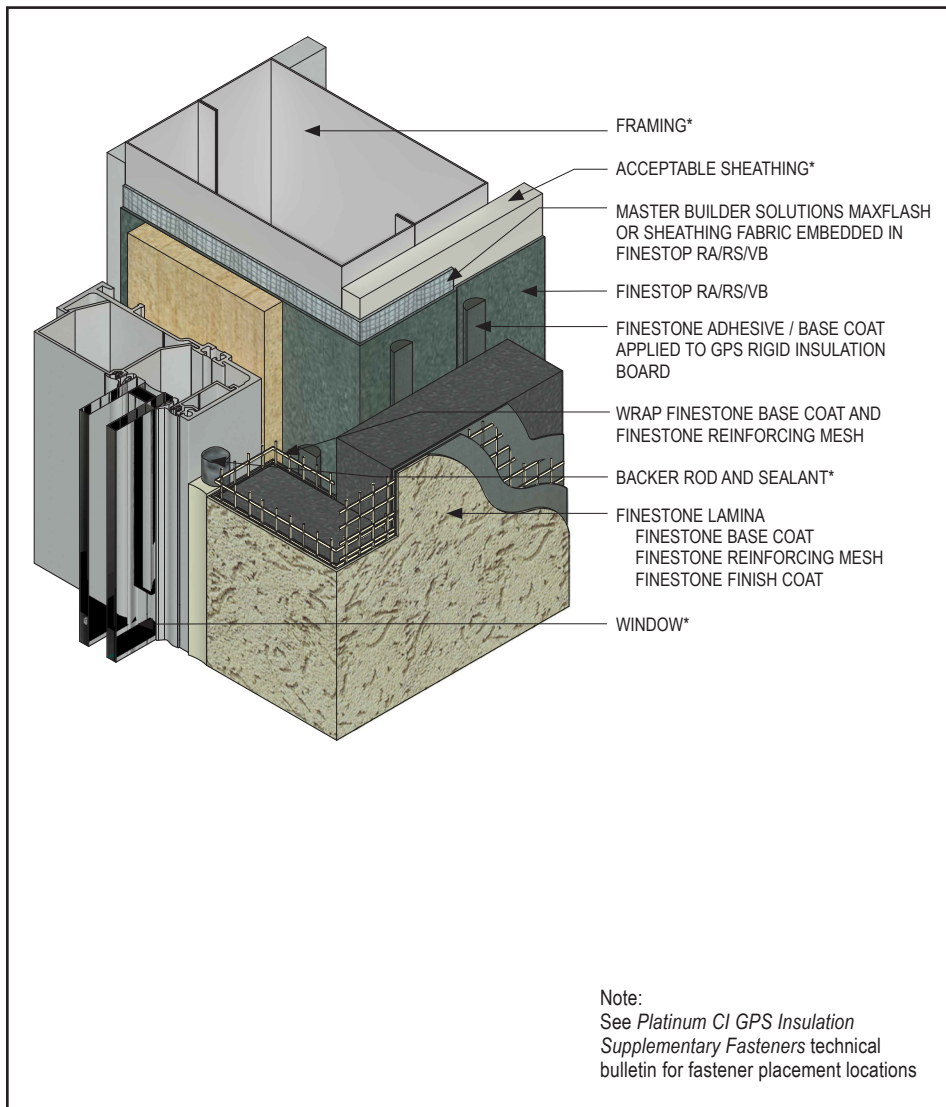
PCI-16

(*NOTE: BY OTHERS)

This detail represents Master Builders Solutions Construction Systems US, LLC (hereinafter Master Builders Solutions) latest recommendations. It is presented in good faith by Master Builders Solutions. The detail is subject to change without notice. Master Builders Solutions accepts no liability for the end use of the detail. For conditions not shown, consult Master Builders Solutions for review of specific detail.

Pebbletex Platinum CI Details

TYPICAL WINDOW JAMB (RECESSED)



- Install Master Builder Solutions materials in accordance with current installation instructions.
- Unsatisfactory conditions shall be reported to the General Contractor and corrected before the application of Master Builder Solutions products.
- All terminations must be fully encapsulated with mesh reinforced base coat.
- Ensure Finestop RA/RS/VB or MaxFlash is properly applied into the rough openings in accordance with application guidelines and code requirements prior to GPS Rigid Insulation Board application.
- Do not apply finish to areas that will receive sealant.
- Provide a back wrapped type joint with backer rod and sealant at system terminations to dissimilar materials, ensuring that a water tight seal is achieved (width per design).
- GPS Rigid Insulation Board requires supplementary fasteners installed immediately after the board is adhesively attached and prior to the drying of the adhesive/base coat.

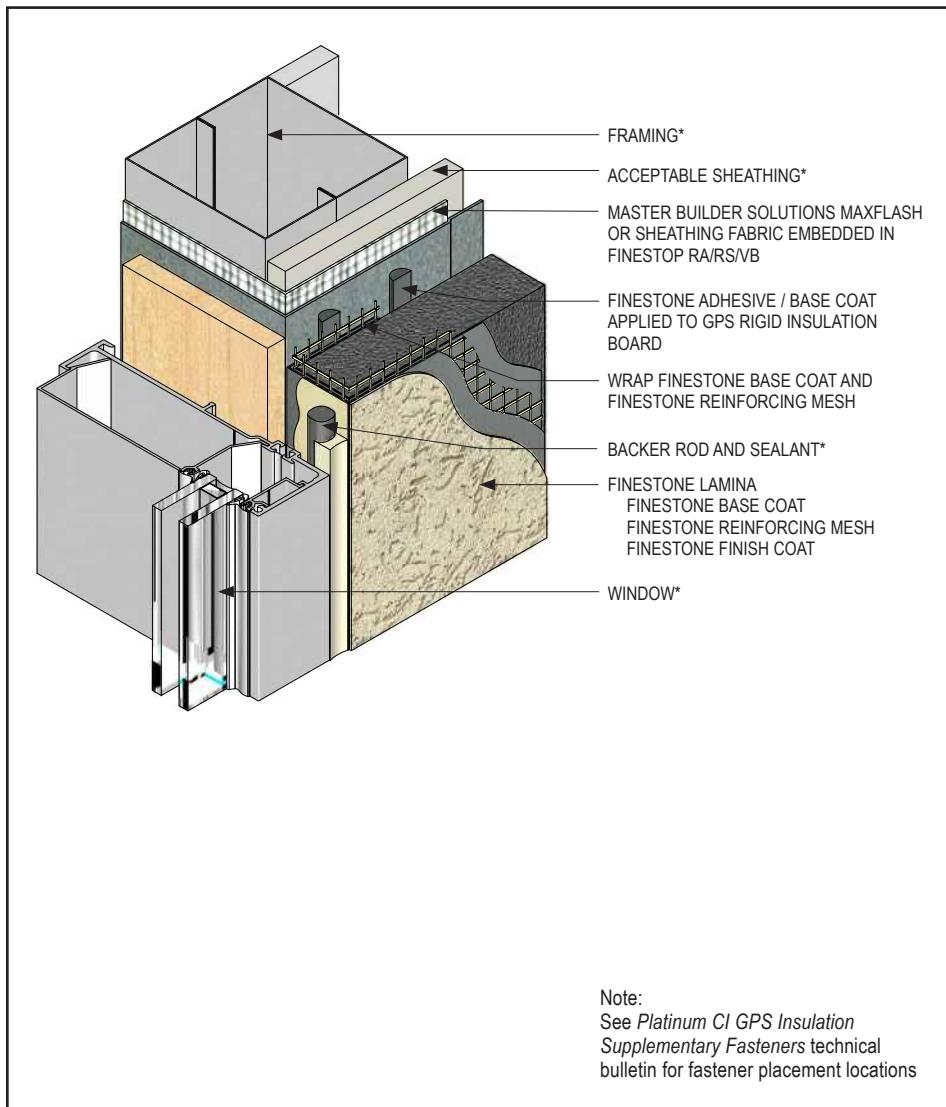
PCI-17

(*NOTE: BY OTHERS)

This detail represents Master Builders Solutions Construction Systems US, LLC (hereinafter Master Builders Solutions) latest recommendations. It is presented in good faith by Master Builders Solutions. The detail is subject to change without notice. Master Builders Solutions accepts no liability for the end use of the detail. For conditions not shown, consult Master Builders Solutions for review of specific detail.

Pebbletex Platinum CI Details

TYPICAL WINDOW JAMB (FLUSH)



- Install Master Builder Solutions materials in accordance with current installation instructions.
- Unsatisfactory conditions shall be reported to the General Contractor and corrected before the application of Master Builder Solutions products.
- All terminations must be fully encapsulated with mesh reinforced base coat.
- Ensure Finestop RA/RS/VB or MaxFlash is properly applied into the rough openings in accordance with application guidelines and code requirements prior to GPS Rigid Insulation Board application.
- Do not apply finish to areas that will receive sealant.
- Provide a back wrapped type joint with backer rod and sealant at system terminations to dissimilar materials, ensuring that a water tight seal is achieved (width per design).
- GPS Rigid Insulation Board requires supplementary fasteners installed immediately after the board is adhesively attached and prior to the drying of the adhesive/base coat.

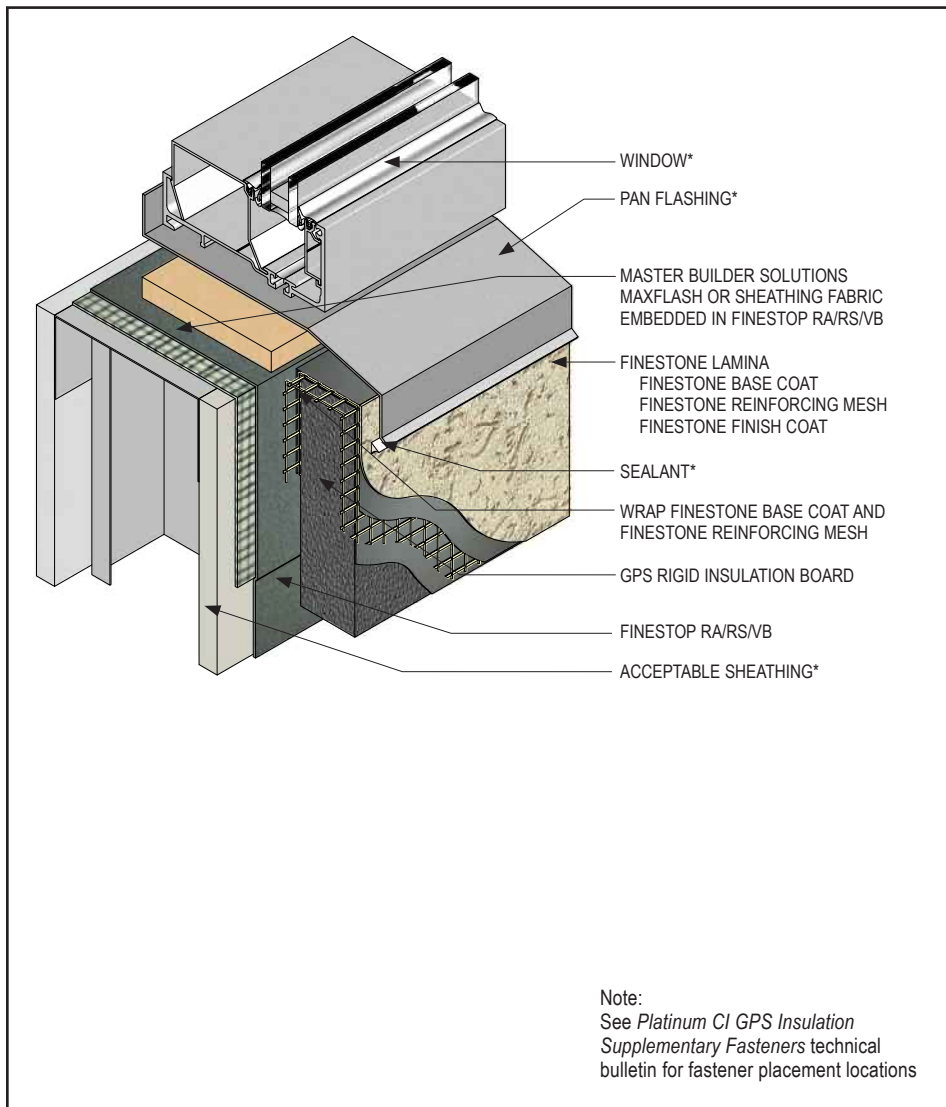
PCI-18

(*NOTE: BY OTHERS)

This detail represents Master Builders Solutions Construction Systems US, LLC (hereinafter Master Builders Solutions) latest recommendations. It is presented in good faith by Master Builders Solutions. The detail is subject to change without notice. Master Builders Solutions accepts no liability for the end use of the detail. For conditions not shown, consult Master Builders Solutions for review of specific detail.

Pebbletex Platinum CI Details

TYPICAL WINDOW SILL (RECESSED)



PCI-19

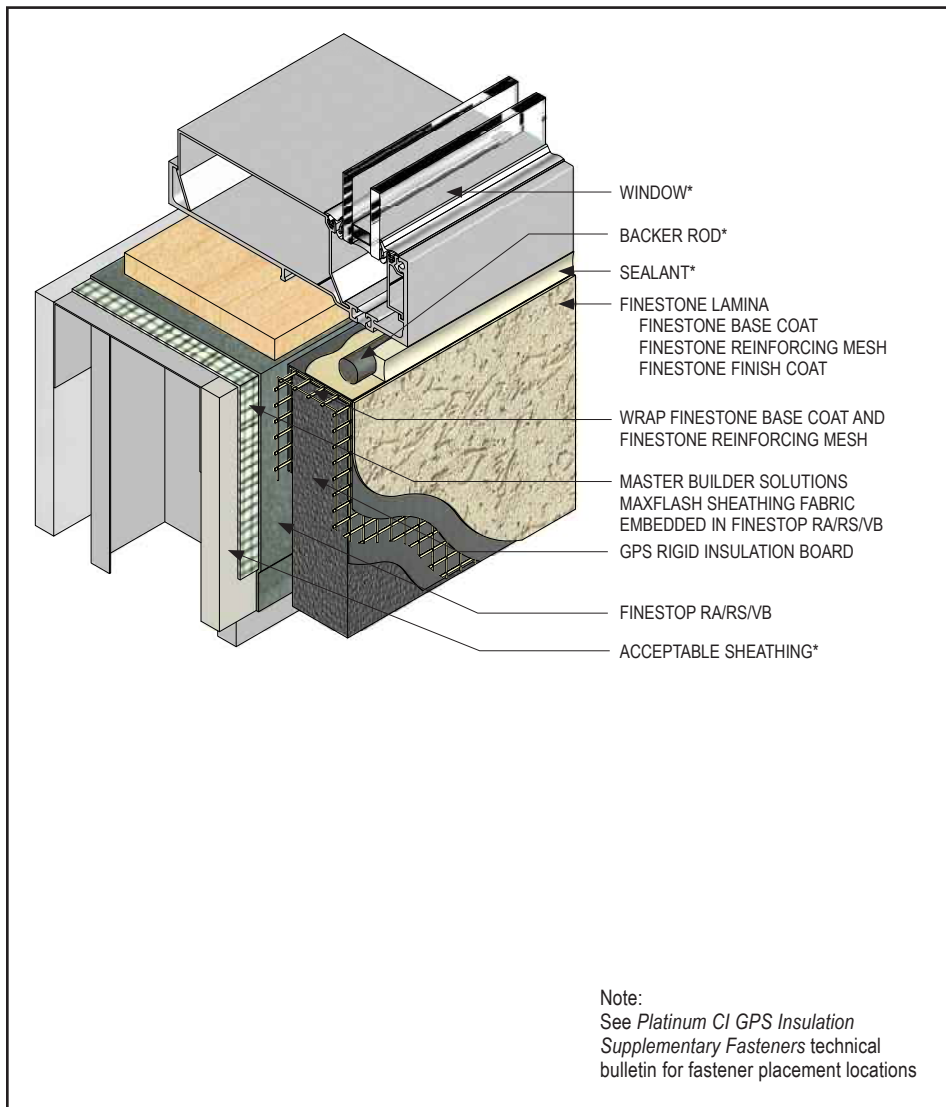
(*NOTE: BY OTHERS)

- Install Master Builder Solutions materials in accordance with current installation instructions.
- Unsatisfactory conditions shall be reported to the General Contractor and corrected before the application of Master Builder Solutions products.
- All terminations must be fully encapsulated with mesh reinforced base coat.
- Ensure Finestop RA/RS/VB or MaxFlash is properly applied into the rough openings in accordance with application guidelines and code requirements prior to GPS Rigid Insulation Board application.
- Ensure that metal pan flashing extends onto the system a minimum of 2" (50 mm) down the face and that end dams are provided.
- GPS Rigid Insulation Board requires supplementary fasteners installed immediately after the board is adhesively attached and prior to the drying of the adhesive/base coat.

This detail represents Master Builders Solutions Construction Systems US, LLC (hereinafter Master Builders Solutions) latest recommendations. It is presented in good faith by Master Builders Solutions. The detail is subject to change without notice. Master Builders Solutions accepts no liability for the end use of the detail. For conditions not shown, consult Master Builders Solutions for review of specific detail.

Pebbletex Platinum CI Details

TYPICAL WINDOW SILL (FLUSH)



- Install Master Builder Solutions materials in accordance with current installation instructions.
- Unsatisfactory conditions shall be reported to the General Contractor and corrected before the application of Master Builder Solutions products.
- All terminations must be fully encapsulated with mesh reinforced base coat.
- Ensure Finestop RA/RS/VB is properly applied into the rough openings in accordance with application guidelines and code requirements prior to GPS Rigid Insulation Board application.
- Do not apply finish to areas that will receive sealant.
- Provide a back wrapped type joint with backer rod and sealant at system terminations to dissimilar materials, ensuring that a water tight seal is achieved (width per design).
- GPS Rigid Insulation Board requires supplementary fasteners installed immediately after the board is adhesively attached and prior to the drying of the adhesive/base coat.

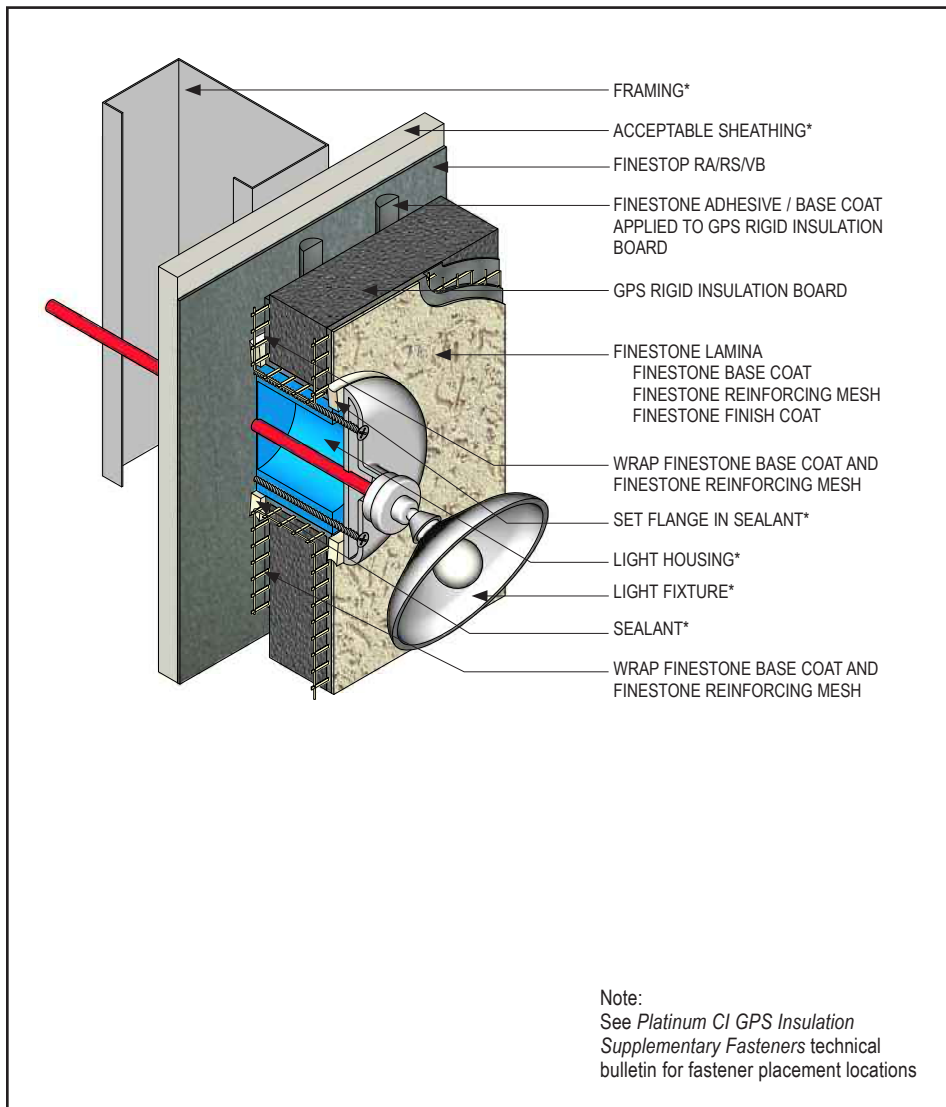
PCI-20

(*NOTE: BY OTHERS)

This detail represents Master Builders Solutions Construction Systems US, LLC (hereinafter Master Builders Solutions) latest recommendations. It is presented in good faith by Master Builders Solutions. The detail is subject to change without notice. Master Builders Solutions accepts no liability for the end use of the detail. For conditions not shown, consult Master Builders Solutions for review of specific detail.

Pebbletex Platinum CI Details

TYPICAL LIGHT FIXTURE



- Install Master Builder Solutions materials in accordance with current installation instructions.
- Unsatisfactory conditions shall be reported to the General Contractor and corrected before the application of Master Builder Solutions products.
- All terminations must be fully encapsulated with mesh reinforced base coat.
- Ensure all penetrations into the system are properly sealed.
- GPS Rigid Insulation Board requires supplementary fasteners installed immediately after the board is adhesively attached and prior to the drying of the adhesive/base coat.

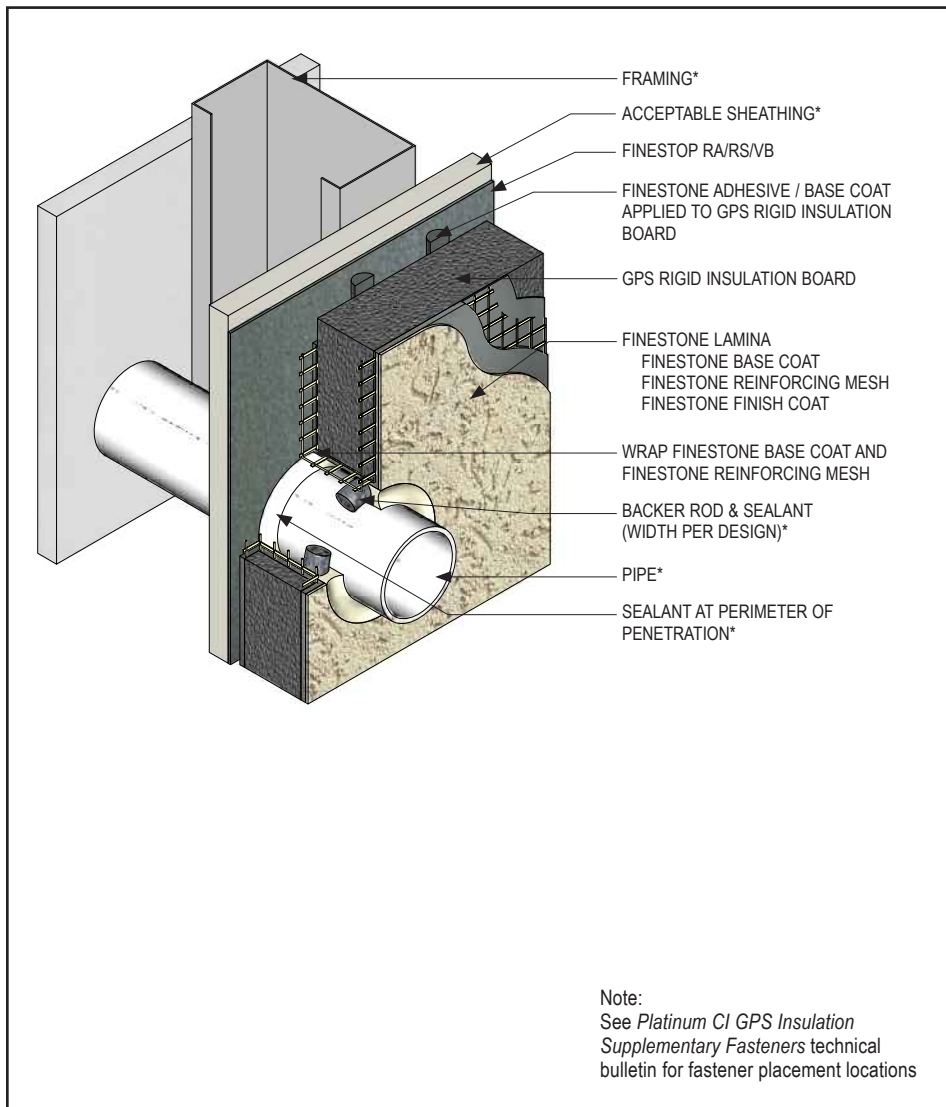
PCI-21

(*NOTE: BY OTHERS)

This detail represents Master Builders Solutions Construction Systems US, LLC (hereinafter Master Builders Solutions) latest recommendations. It is presented in good faith by Master Builders Solutions. The detail is subject to change without notice. Master Builders Solutions accepts no liability for the end use of the detail. For conditions not shown, consult Master Builders Solutions for review of specific detail.

Pebbletex Platinum CI Details

TYPICAL PIPE PENETRATION



- Install Master Builder Solutions materials in accordance with current installation instructions.
- Unsatisfactory conditions shall be reported to the General Contractor and corrected before the application of Master Builder Solutions products.
- All terminations must be fully encapsulated with mesh reinforced basecoat.
- Ensure all penetrations into the system are properly sealed.
- Provide continuous seal around perimeter of penetration prior to GPS Rigid Insulation Board application. Sheathing Fabric and Finestop RA/RS/VB, MaxFlash (or Master Builder Solutions WS Flash with Flashing Primer) or sealant can be used to make transition onto pipe.
- Do not apply finish to areas that will receive sealant.
- GPS Rigid Insulation Board requires supplementary fasteners installed immediately after the board is adhesively attached and prior to the drying of the adhesive/base coat.

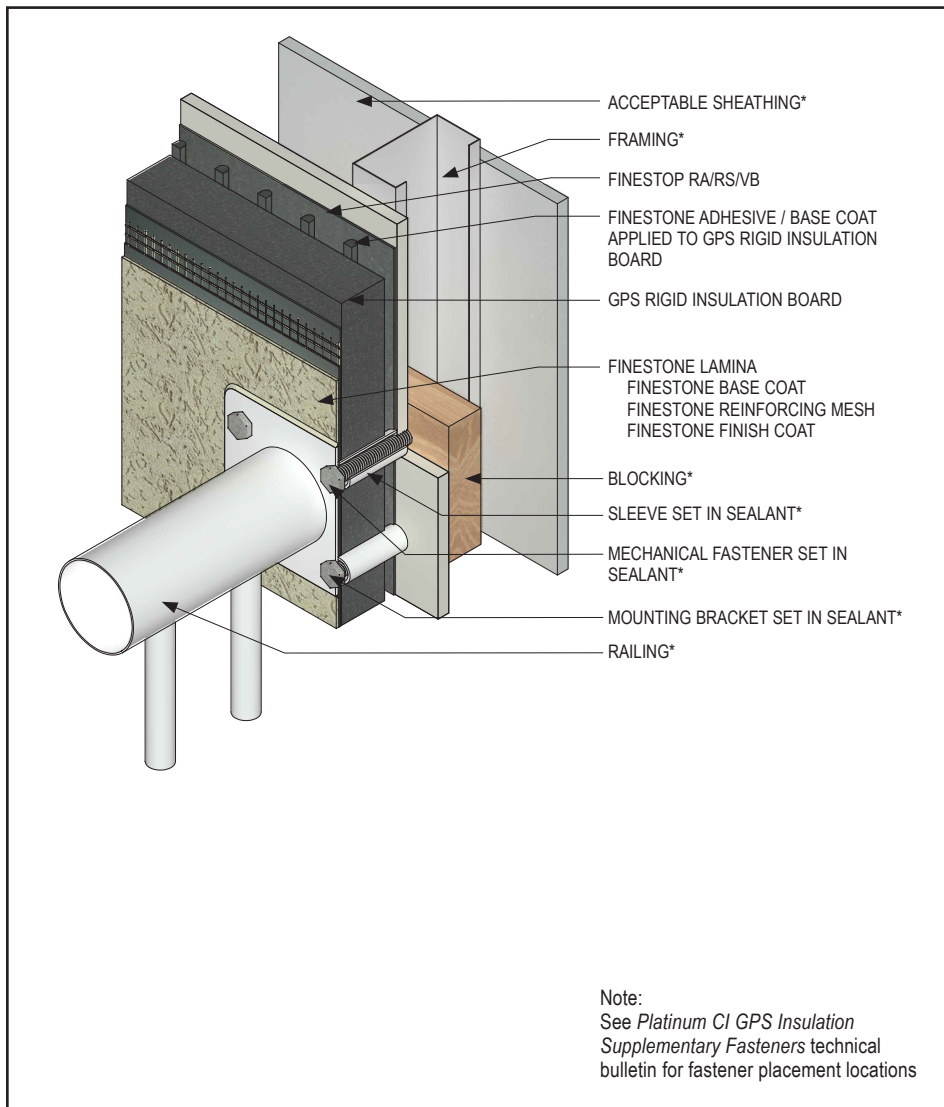
PCI-22

(*NOTE: BY OTHERS)

This detail represents Master Builders Solutions Construction Systems US, LLC (hereinafter Master Builders Solutions) latest recommendations. It is presented in good faith by Master Builders Solutions. The detail is subject to change without notice. Master Builders Solutions accepts no liability for the end use of the detail. For conditions not shown, consult Master Builders Solutions for review of specific detail.

Pebbletex Platinum CI Details

TYPICAL RAILING ATTACHMENT



- Install Master Builder Solutions materials in accordance with current installation instructions.
- Unsatisfactory conditions shall be reported to the General Contractor and corrected before the application of Master Builder Solutions products.
- All terminations must be fully encapsulated with mesh reinforced base coat.
- Ensure all penetrations into the system are properly sealed.
- GPS Rigid Insulation Board requires supplementary fasteners installed immediately after the board is adhesively attached and prior to the drying of the adhesive/base coat.

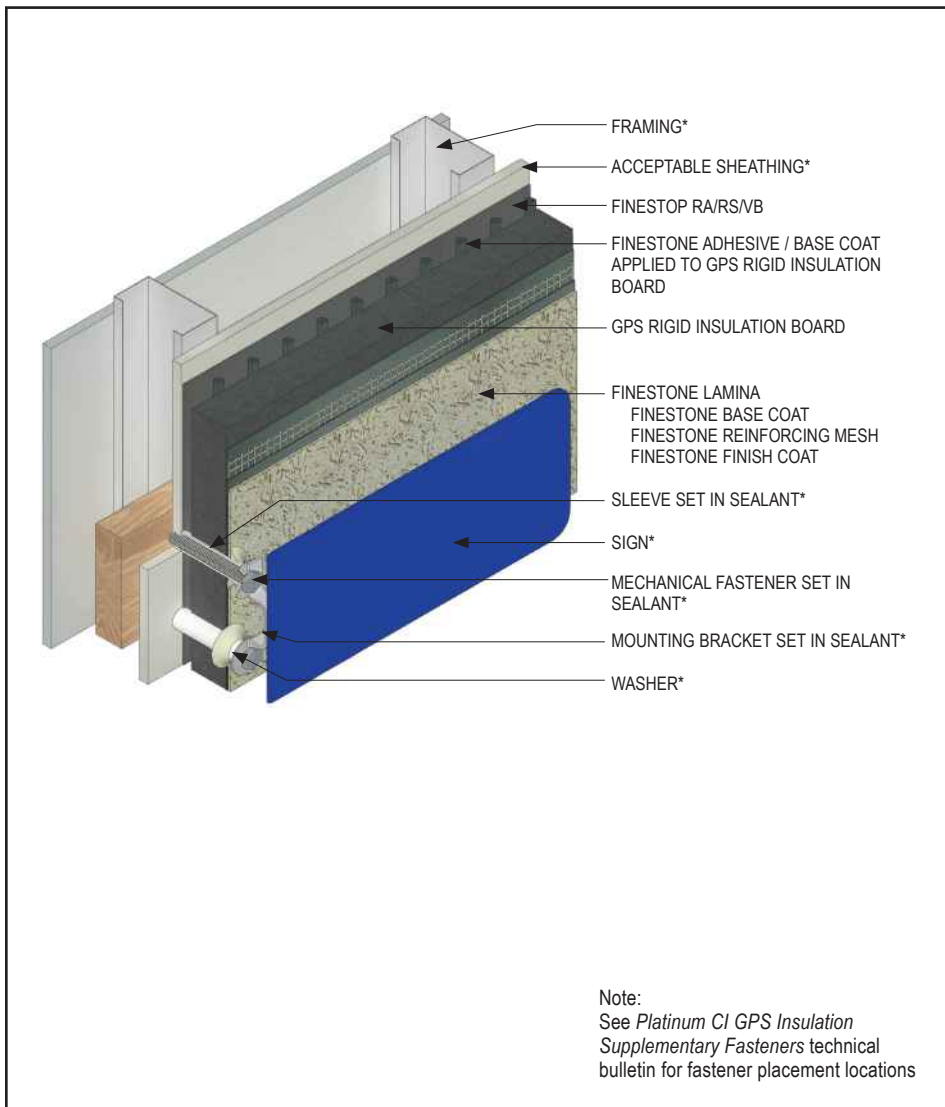
PCI-23

(*NOTE: BY OTHERS)

This detail represents Master Builders Solutions Construction Systems US, LLC (hereinafter Master Builders Solutions) latest recommendations. It is presented in good faith by Master Builders Solutions. The detail is subject to change without notice. Master Builders Solutions accepts no liability for the end use of the detail. For conditions not shown, consult Master Builders Solutions for review of specific detail.

Pebbletex Platinum CI Details

TYPICAL SIGN ATTACHMENT



- Install Master Builder Solutions materials in accordance with current installation instructions.
- Unsatisfactory conditions shall be reported to the General Contractor and corrected before the application of Master Builder Solutions products.
- All terminations must be fully encapsulated with mesh reinforced base coat.
- Ensure all penetrations into the system are properly sealed.
- GPS Rigid Insulation Board requires supplementary fasteners installed immediately after the board is adhesively attached and prior to the drying of the adhesive/base coat.

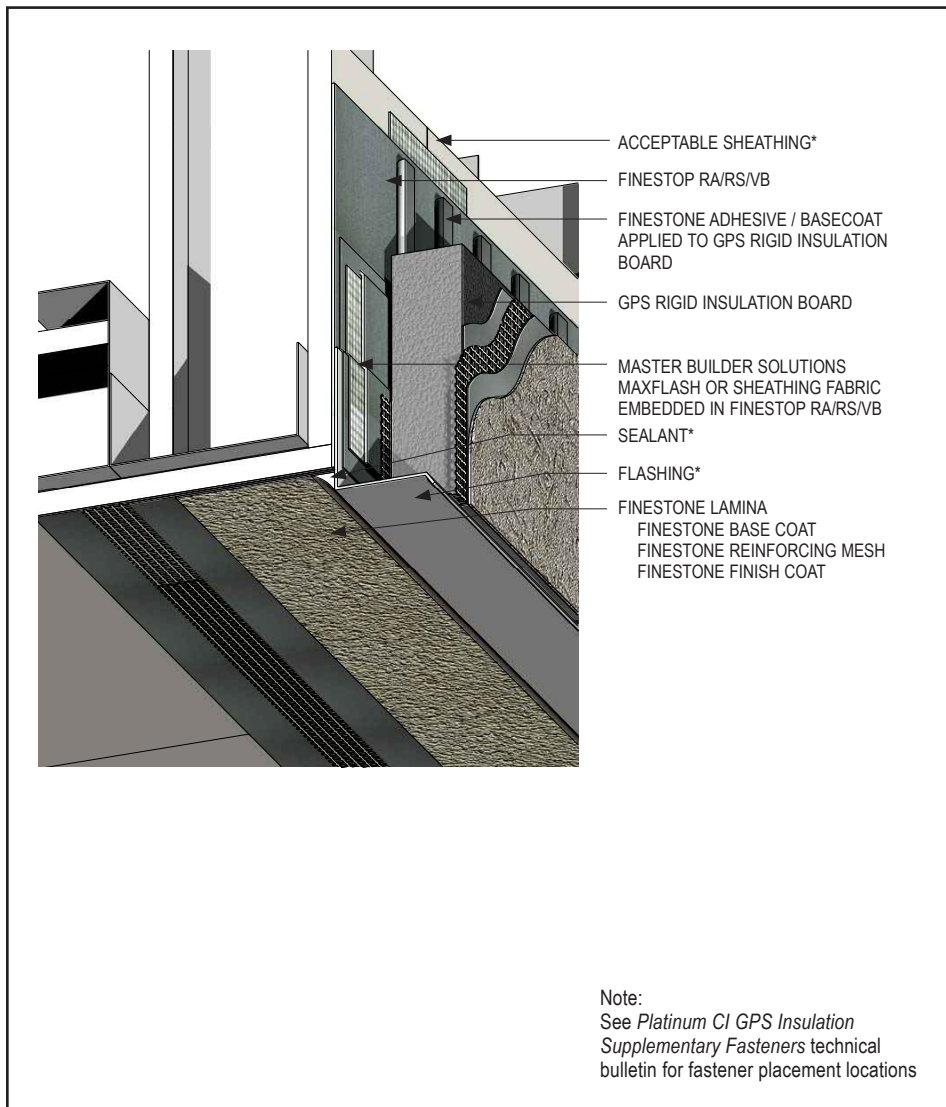
PCI-24

(*NOTE: BY OTHERS)

This detail represents Master Builders Solutions Construction Systems US, LLC (hereinafter Master Builders Solutions) latest recommendations. It is presented in good faith by Master Builders Solutions. The detail is subject to change without notice. Master Builders Solutions accepts no liability for the end use of the detail. For conditions not shown, consult Master Builders Solutions for review of specific detail.

Pebbletex Platinum CI Details

TYPICAL APPLICATION DIRECT APPLIED AT FASCIA/SOFFIT



- Install Master Builder Solutions materials in accordance with current installation instructions.
- Unsatisfactory conditions shall be reported to the General Contractor and corrected before the application of Master Builder Solutions products.
- All terminations must be fully encapsulated with mesh reinforced base coat.
- Ensure a means for drainage is provided at soffit/fascia transition.
- GPS Rigid Insulation Board requires supplementary fasteners installed immediately after the board is adhesively attached and prior to the drying of the adhesive/base coat.

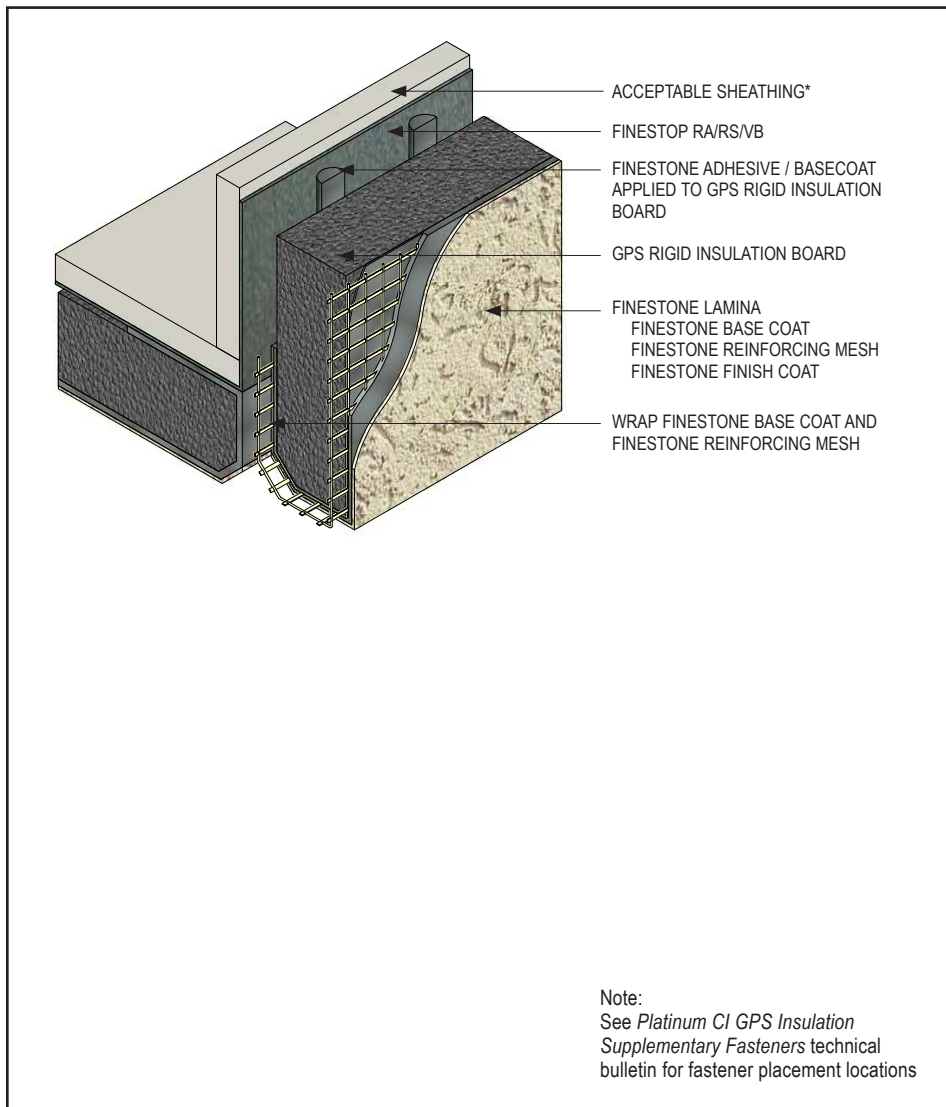
PCI-25

(*NOTE: BY OTHERS)

This detail represents Master Builders Solutions Construction Systems US, LLC (hereinafter Master Builders Solutions) latest recommendations. It is presented in good faith by Master Builders Solutions. The detail is subject to change without notice. Master Builders Solutions accepts no liability for the end use of the detail. For conditions not shown, consult Master Builders Solutions for review of specific detail.

Pebbletex Platinum CI Details

TYPICAL SECTION AT FASCIA/SOFFIT



- Install Master Builder Solutions materials in accordance with current installation instructions.
- Unsatisfactory conditions shall be reported to the General Contractor and corrected before the application of Master Builder Solutions products.
- All terminations must be fully encapsulated with mesh reinforced base coat.
- Ensure a means for drainage is provided at system termination at soffit/fascia transition.
- GPS Rigid Insulation Board requires supplementary fasteners installed immediately after the board is adhesively attached and prior to the drying of the adhesive/base coat.

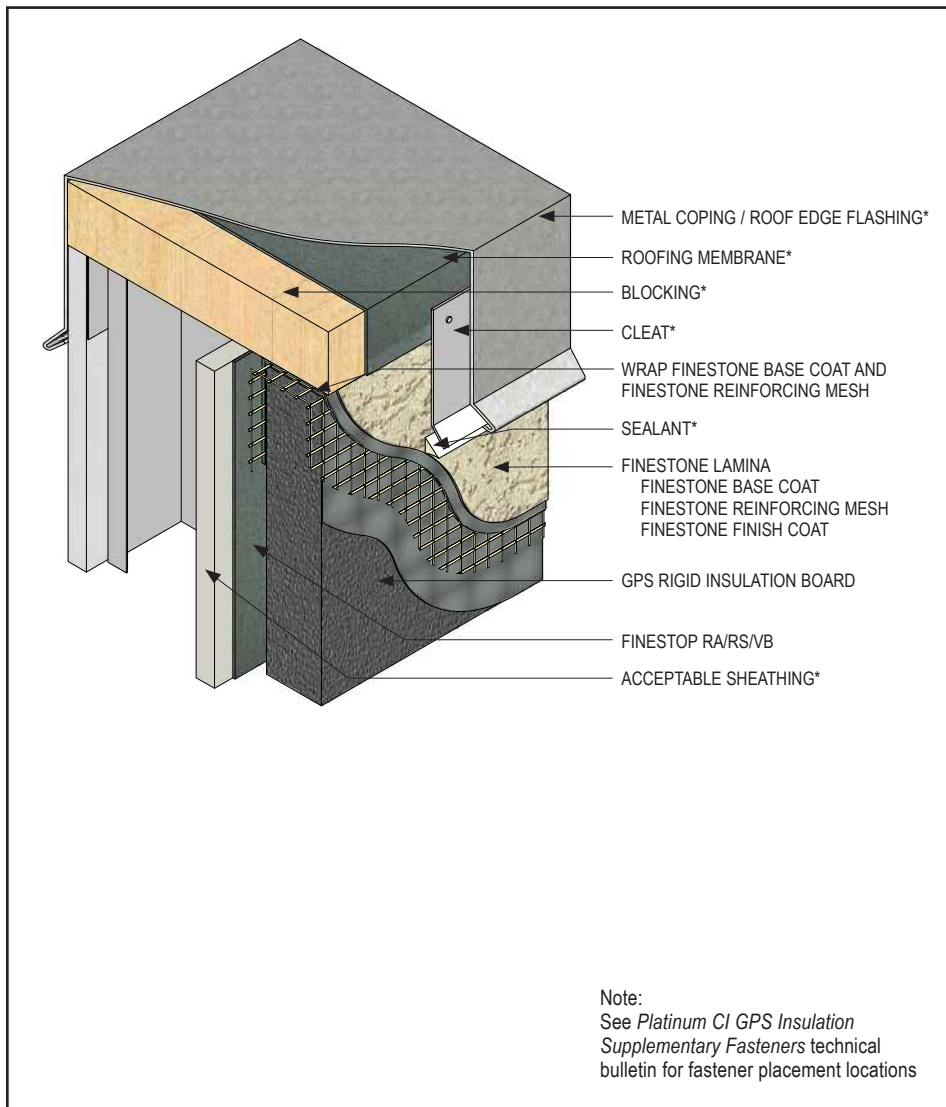
PCI-26

(*NOTE: BY OTHERS)

This detail represents Master Builders Solutions Construction Systems US, LLC (hereinafter Master Builders Solutions) latest recommendations. It is presented in good faith by Master Builders Solutions. The detail is subject to change without notice. Master Builders Solutions accepts no liability for the end use of the detail. For conditions not shown, consult Master Builders Solutions for review of specific detail.

Pebbletex Platinum CI Details

TYPICAL COPING / ROOF EDGE FLASHING



- Install Master Builder Solutions materials in accordance with current installation instructions.
- Unsatisfactory conditions shall be reported to the General Contractor and corrected before the application of Master Builder Solutions products.
- All terminations must be fully encapsulated with mesh reinforced base coat.
- Ensure that metal coping/flushing extends onto the system a minimum of 2" (50 mm) down the face and drip edge is sealed.
- GPS Rigid Insulation Board requires supplementary fasteners installed immediately after the board is adhesively attached and prior to the drying of the adhesive/base coat.

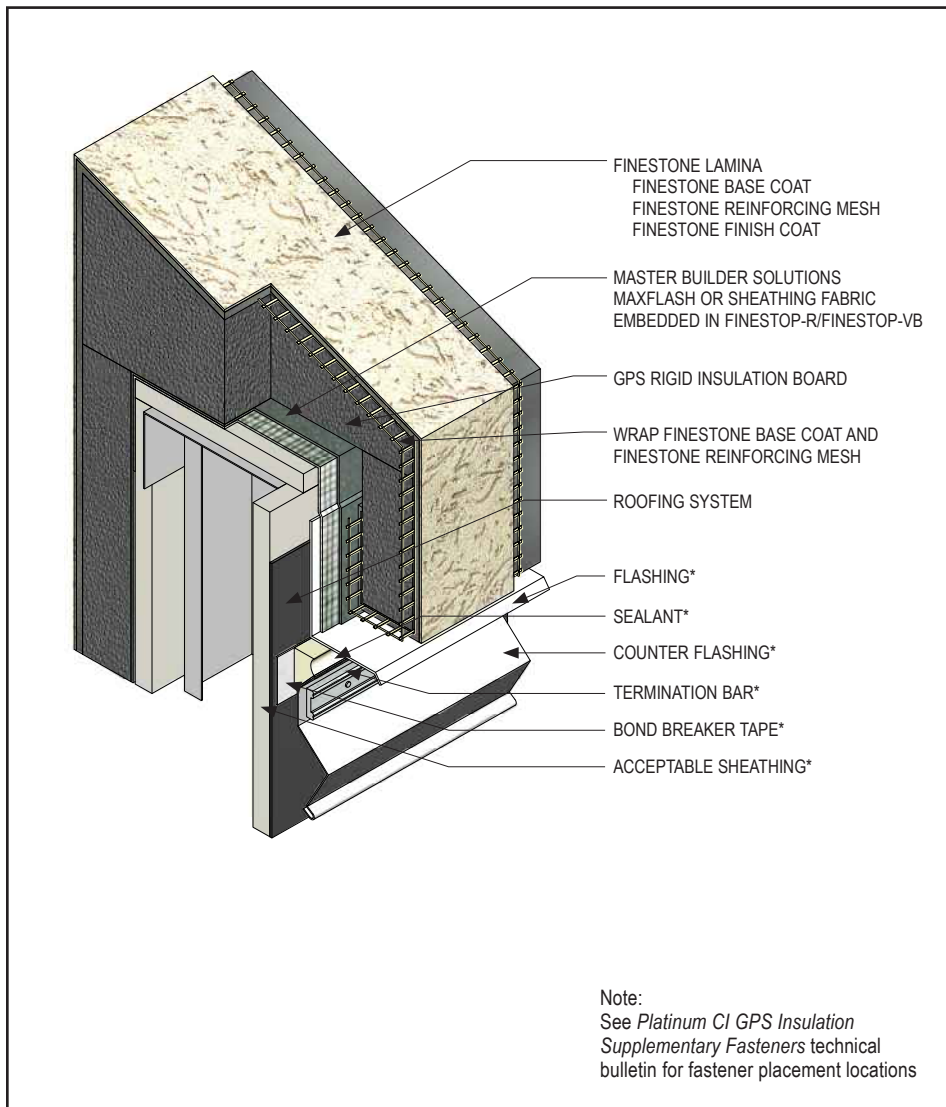
PCI-27

(*NOTE: BY OTHERS)

This detail represents Master Builders Solutions Construction Systems US, LLC (hereinafter Master Builders Solutions) latest recommendations. It is presented in good faith by Master Builders Solutions. The detail is subject to change without notice. Master Builders Solutions accepts no liability for the end use of the detail. For conditions not shown, consult Master Builders Solutions for review of specific detail.

Pebbletex Platinum CI Details

TYPICAL PARAPET CAP



PCI-28

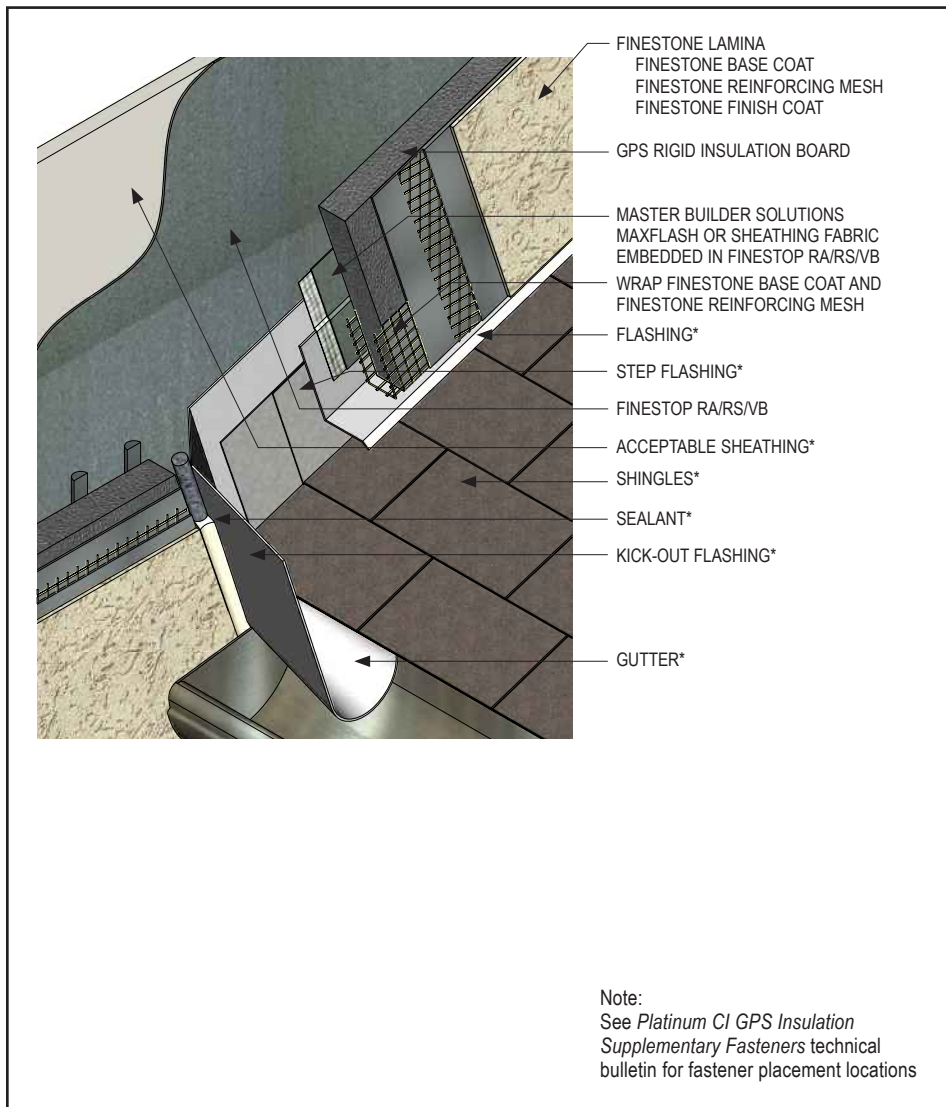
(*NOTE: BY OTHERS)

- Install Master Builder Solutions materials in accordance with current installation instructions.
- Unsatisfactory conditions shall be reported to the General Contractor and corrected before the application of Master Builder Solutions products.
- Provide a minimum 6:12 slope for all horizontal surfaces. A roofing system or metal cap flashing must be used for sloped surfaces over 24" (610 mm).
- Additional layers of mesh reinforced base coat is recommended when sloped surfaces exceed 12" (305 mm).
- Ensure a means for drainage is provided at system termination at roof.
- Terminate system a minimum of 8" (203 mm) above flat roof.
- Maintain a minimum 1" (25 mm) thick GPS Rigid Insulation Board.
- GPS Rigid Insulation Board requires supplementary fasteners installed immediately after the board is adhesively attached and prior to the drying of the adhesive/base coat.

This detail represents Master Builders Solutions Construction Systems US, LLC (hereinafter Master Builders Solutions) latest recommendations. It is presented in good faith by Master Builders Solutions. The detail is subject to change without notice. Master Builders Solutions accepts no liability for the end use of the detail. For conditions not shown, consult Master Builders Solutions for review of specific detail.

Pebbletex Platinum CI Details

TYPICAL KICK-OUT FLASHING



- Install Master Builder Solutions materials in accordance with current installation instructions.
- Unsatisfactory conditions shall be reported to the General Contractor and corrected before the application of Master Builder Solutions products.
- All terminations must be fully encapsulated with mesh reinforced base coat.
- Ensure a means for drainage is provided at system termination at roof.
- Terminate system a minimum of 2" (50 mm) above sloped roof.
- Ensure step flashing is a minimum of 2" (50 mm) behind system.
- Kick-out flashing: sealed or soldered seams, recommended minimum 4" (100 mm) in height, extend minimum 2" (50 mm) from system and angled to direct water into gutter / away from wall surface.
- Do not apply finish to areas that will receive sealant.
- GPS Rigid Insulation Board requires supplementary fasteners installed immediately after the board is adhesively attached and prior to the drying of the adhesive/base coat.

PCI-29

(*NOTE: BY OTHERS)

This detail represents Master Builders Solutions Construction Systems US, LLC (hereinafter Master Builders Solutions) latest recommendations. It is presented in good faith by Master Builders Solutions. The detail is subject to change without notice. Master Builders Solutions accepts no liability for the end use of the detail. For conditions not shown, consult Master Builders Solutions for review of specific detail.

Warranty

Master Builders Solutions Construction Systems US, LLC ("Master Builders") warrants this product to be free from manufacturing defects and to meet the technical properties on the current Technical Data Guide, if used as directed within shelf life. Satisfactory results depend not only on quality products but also upon many factors beyond our control. Master Builders MAKES NO OTHER WARRANTY OR GUARANTEE, EXPRESS OR IMPLIED, INCLUDING WARRANTIES OF MERCHANTABILITY OR FITNESS FOR A PARTICULAR PURPOSE WITH RESPECT TO ITS PRODUCTS. The sole and exclusive remedy of Purchaser for any claim concerning this product, including but not limited to, claims alleging breach of warranty, negligence, strict liability or otherwise, is shipment to purchaser of product equal to the amount of product that fails to meet this warranty or refund of the original purchase price of product that fails to meet this warranty, at the sole option of Master Builders. Any claims concerning this product must be received in writing within one (1) year from the date of shipment and any claims not presented within that period are waived by Purchaser. Master Builders WILL NOT BE RESPONSIBLE FOR ANY SPECIAL, INCIDENTAL, CONSEQUENTIAL (INCLUDING LOST PROFITS) OR PUNITIVE DAMAGES OF ANY KIND.

Purchaser must determine the suitability of the products for the intended use and assumes all risks and liabilities in connection therewith. This information and all further technical advice are based on Master Builders' present knowledge and experience. However, Master Builders assumes no liability for providing such information and advice including the extent to which such information and advice may relate to existing third party intellectual property rights, especially patent rights, nor shall any legal relationship be created by or arise from the provision of such information and advice. Master Builders reserves the right to make any changes according to technological progress or further developments. The Purchaser of the Product(s) must test the product(s) for suitability for the intended application and purpose before proceeding with a full application of the product(s). Performance of the product described herein should be verified by testing and carried out by qualified experts.

For professional use only. Not for sale to or use by the general public.

For the most current version of this literature, please visit our website at finestone.master-builders-solutions.com/en.

Master Builders Solutions Construction Systems US, LLC

889 Valley Park Drive, Shakopee, MN 55379
finestone.master-builders-solutions.com/en

Customer Service +1 (800) 433-9517
Technical Service +1 (800) 589-1336