



Pebbletex CI-DCA

A Systems Approach
to the Building Enclosure

Typical Details

A brand of
MASTER[®]
» BUILDERS
SOLUTIONS

(THIS PAGE INTENTIONALLY LEFT BLANK)

Pebbletex CI-DCA Details

Typical Details

Continuously Insulated Wall System

Table of Contents

1. Typical Channeled Adhesive
2. Typical Application
3. Typical Application over CMU
4. Typical Application over Brick
5. Typical Aesthetic Reveal
6. Typical Corner Mesh Application with Standard Mesh, Intermediate 6 or 12
7. Typical Pipe Penetration
8. Typical Light Fixture
9. Typical Expansion Joint
10. Typical Expansion Joint at Change in Substrate
11. Typical Expansion Joint at Floorline
12. Typical Drainage at Floorline
13. Typical Abutment to Brick with Drainage at Floorline
14. Typical Abutment to Brick
15. Typical Termination at Foundation
16. Typical Termination at Foundation (Flush)
17. Typical Window Head (Flush)
18. Typical Window Head with Weep Tubes (Flush)
19. Typical Window Head with Diverter Track (Flush)
20. Typical Window Head with Sealant End Dam
21. Typical Window Jamb (Flush)
22. Typical Window Sill (Flush)
23. Typical Window Head (Recessed)
24. Typical Window Jamb (Recessed)
25. Typical Window Sill (Recessed)
26. Typical Flanged Window Head (Recessed)
27. Typical Flanged Window Jamb (Recessed)
28. Typical Flanged Window Sill (Recessed)
29. Typical Coping
30. Typical Parapet Cap
31. Typical Kick-Out Flashing
32. Typical Roof Edge Flashing
33. Typical Section at Fascia/Soffit
34. Typical Core Mounted Railing Attachment
35. Typical Railing Attachment
36. Typical Sign Attachment

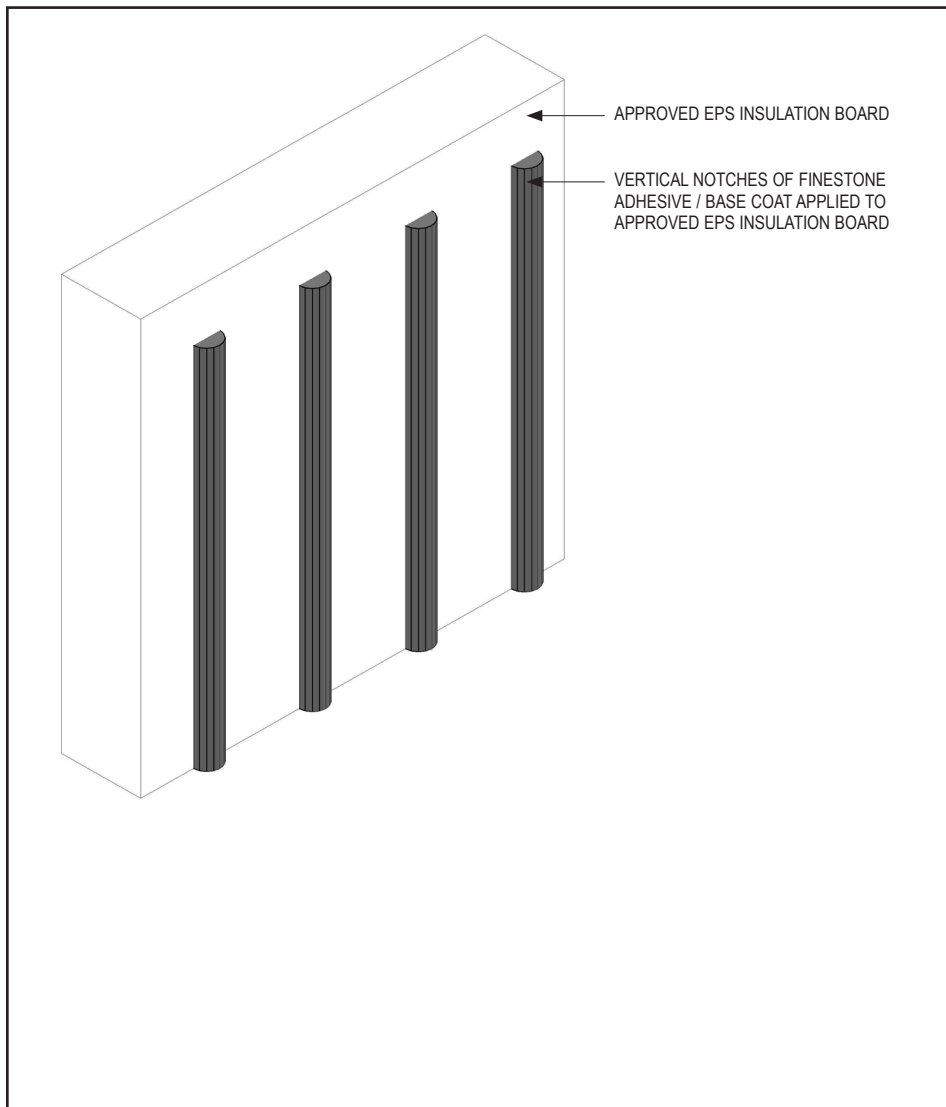
Notes:

- **Install Master Builders Solutions materials in accordance with current installation instructions.**
- **Unsatisfactory conditions shall be reported to the General Contractor and corrected before the application of Master Builders Solutions products.**
- **The details within represent Master Builders Solutions Construction Systems US, LLC (hereinafter Master Builders Solutions) latest recommendations. They are presented in good faith by Master Builders Solutions. The details are subject to change without notice. Master Builders Solutions accepts no liability for the end use of the details. For conditions not shown, consult Master Builders Solutions for review of specific detail.**

(THIS PAGE INTENTIONALLY LEFT BLANK)

Pebbletex CI-DCA

TYPICAL CHanneled Adhesive



- Install Master Builders Solutions materials in accordance with current installation instructions.
- Unsatisfactory conditions shall be reported to the General Contractor and corrected before the application of Master Builders Solutions products.
- Verify all materials are installed in accordance with current installation instructions.
- Apply mixed base coat to entire surface of insulation board using a stainless steel trowel with 1/2" x 1/2" (13 mm x 13 mm) notches spaced 2" (50 mm) apart. Ribbons of adhesive must be applied parallel to the 2' (610 mm) dimension of the EPS insulation board to ensure they are vertical when the EPS insulation board is applied to the substrate.
- Set EPS insulation board into place and apply pressure over entire surface of board to ensure positive uniform contact and high initial grab. Do not slide board into place.

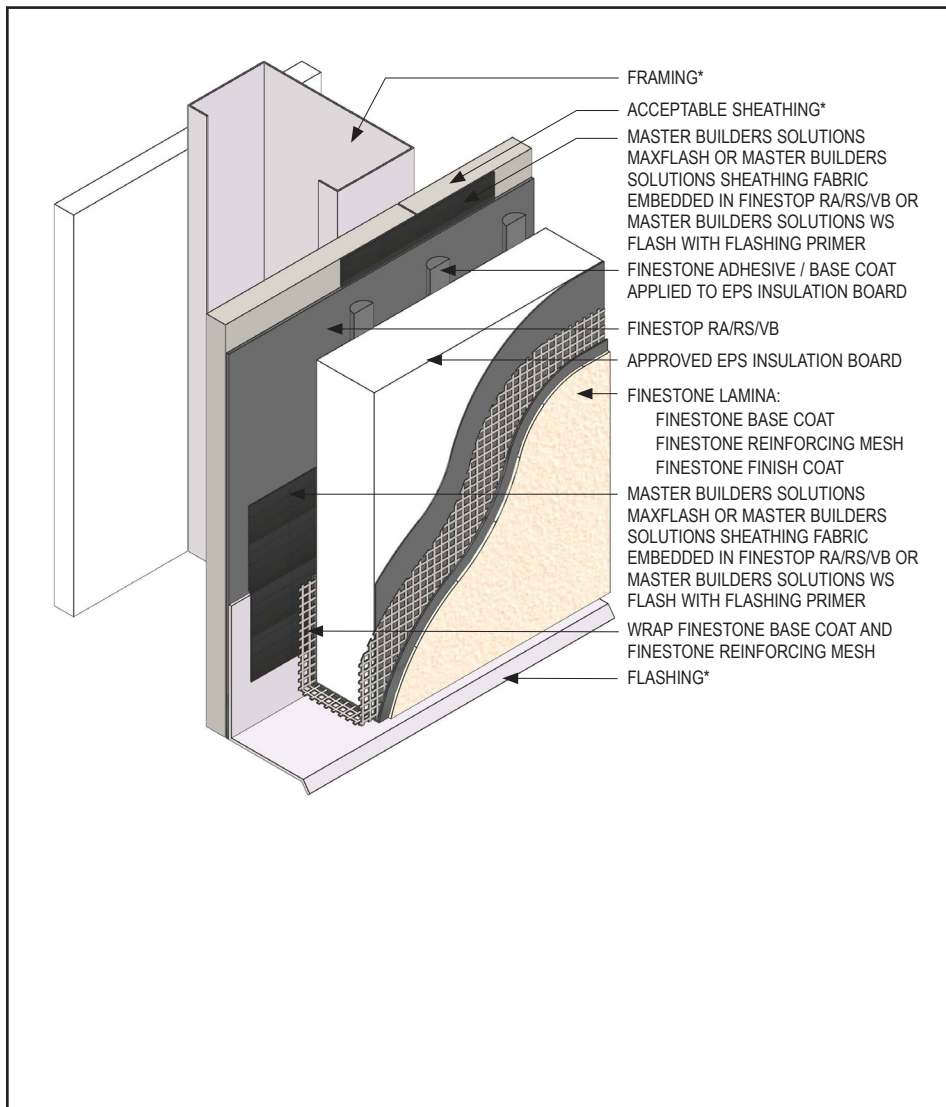
DCA-01 180503

(*NOTE: BY OTHERS)

This detail represents Master Builders Solutions Construction Systems US, LLC (hereinafter Master Builders Solutions) latest recommendations. It is presented in good faith by Master Builders Solutions. The detail is subject to change without notice. Master Builders Solutions accepts no liability for the end use of the detail. For conditions not shown, consult Master Builders Solutions for review of specific detail.

Pebbletex CI-DCA

TYPICAL APPLICATION



- Install Master Builders Solutions materials in accordance with current installation instructions.
- Unsatisfactory conditions shall be reported to the General Contractor and corrected before the application of Master Builders Solutions products.
- Verify all materials are installed in accordance with current installation instructions.
- All terminations must be fully encapsulated with mesh reinforced base coat.
- Ensure a means for drainage is provided at system termination.

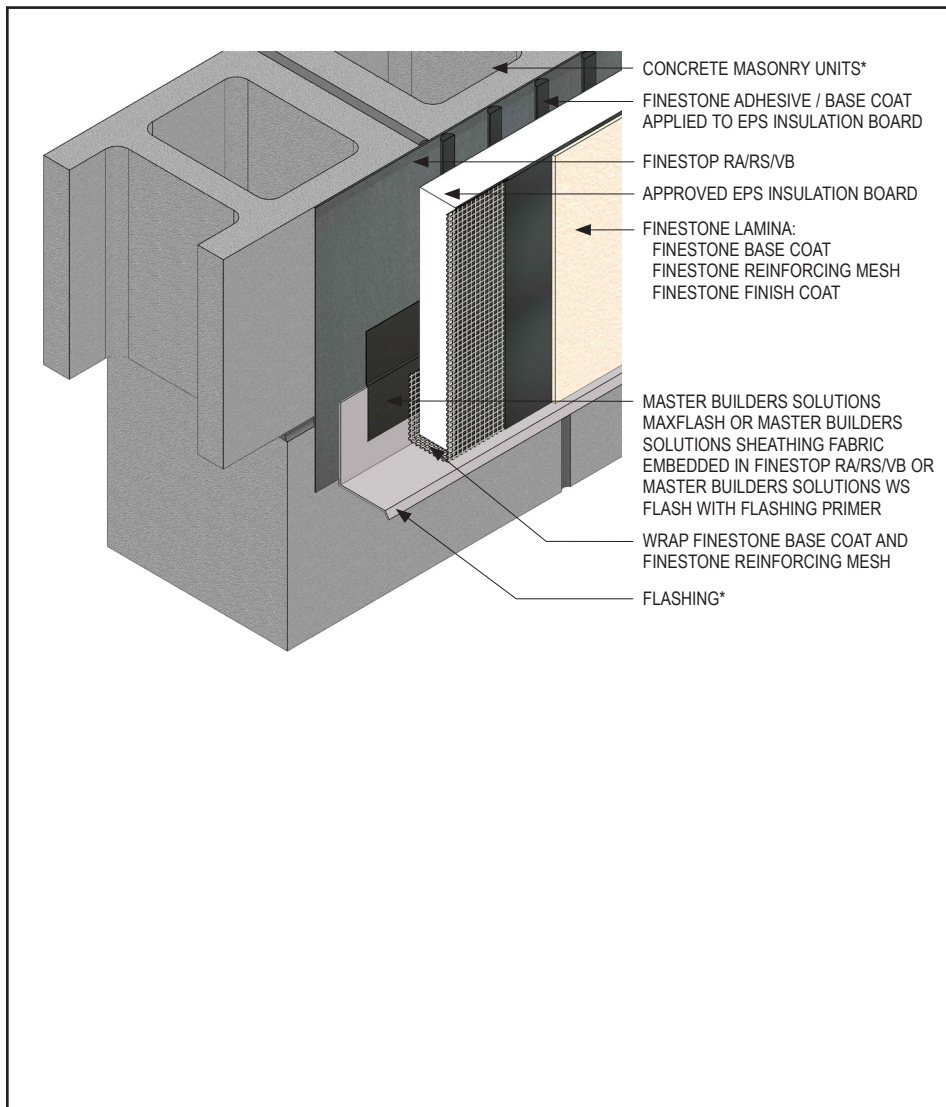
DCA-02 180503

(*NOTE: BY OTHERS)

This detail represents Master Builders Solutions Construction Systems US, LLC (hereinafter Master Builders Solutions) latest recommendations. It is presented in good faith by Master Builders Solutions. The detail is subject to change without notice. Master Builders Solutions accepts no liability for the end use of the detail. For conditions not shown, consult Master Builders Solutions for review of specific detail.

Pebbletex CI-DCA

TYPICAL APPLICATION OVER CMU



- Install Master Builders Solutions materials in accordance with current installation instructions.
- Unsatisfactory conditions shall be reported to the General Contractor and corrected before the application of Master Builders Solutions products.
- Verify all materials are installed in accordance with current installation instructions.
- All terminations must be fully encapsulated with mesh reinforced base coat.
- Ensure a means for drainage is provided at system termination.

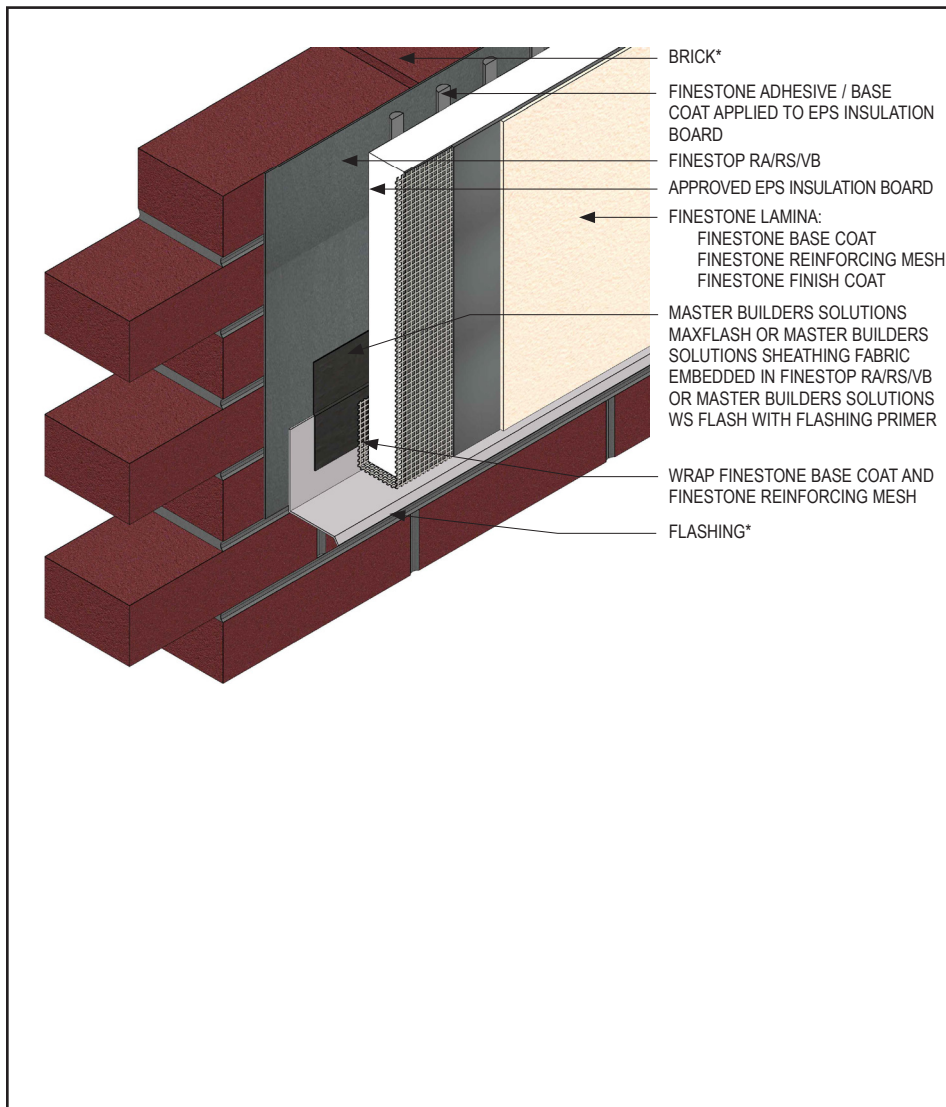
DCA-03 180503

(*NOTE: BY OTHERS)

This detail represents Master Builders Solutions Construction Systems US, LLC (hereinafter Master Builders Solutions) latest recommendations. It is presented in good faith by Master Builders Solutions. The detail is subject to change without notice. Master Builders Solutions accepts no liability for the end use of the detail. For conditions not shown, consult Master Builders Solutions for review of specific detail.

Pebbletex CI-DCA

TYPICAL APPLICATION OVER BRICK



- Install Master Builders Solutions materials in accordance with current installation instructions.
- Unsatisfactory conditions shall be reported to the General Contractor and corrected before the application of Master Builders Solutions products.
- Verify all materials are installed in accordance with current installation instructions.
- All terminations must be fully encapsulated with mesh reinforced base coat.
- Ensure a means for drainage is provided at system termination.

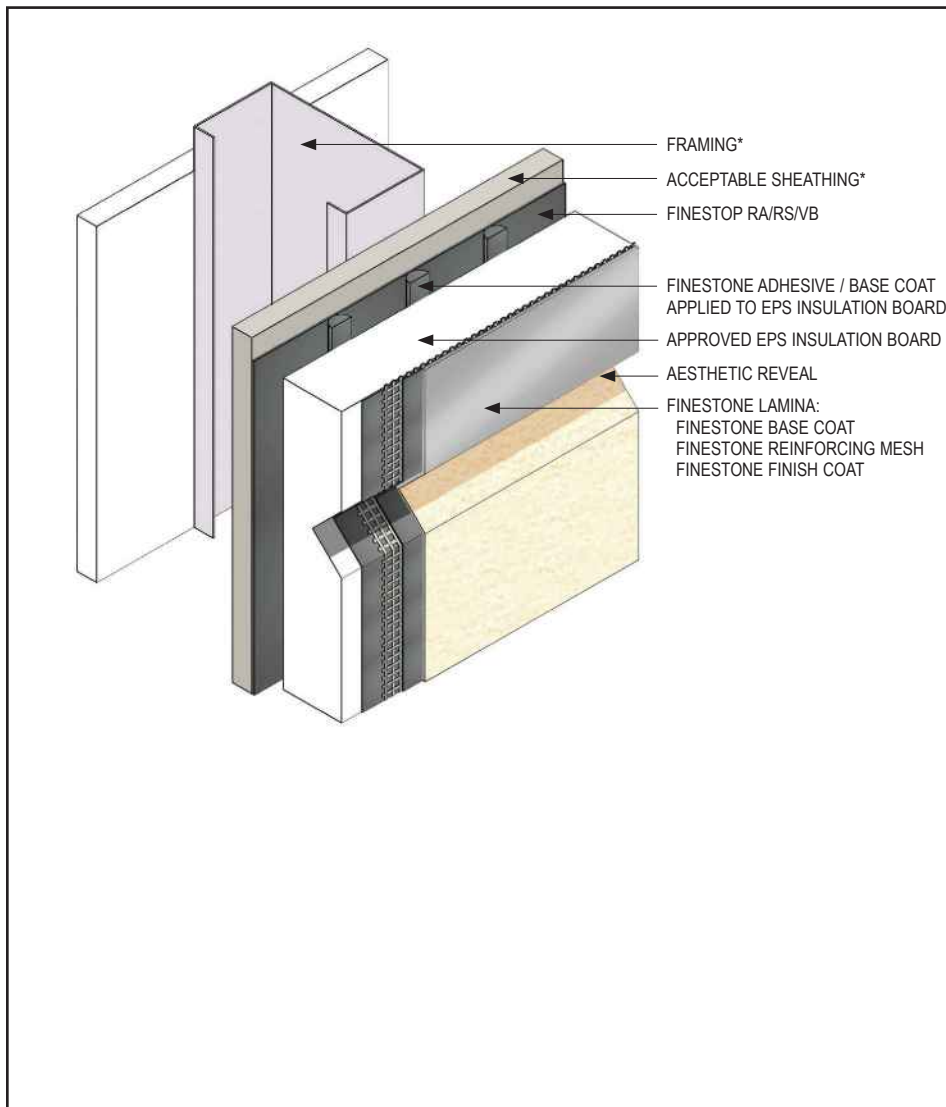
DCA-04 180503

(*NOTE: BY OTHERS)

This detail represents Master Builders Solutions Construction Systems US, LLC (hereinafter Master Builders Solutions) latest recommendations. It is presented in good faith by Master Builders Solutions. The detail is subject to change without notice. Master Builders Solutions accepts no liability for the end use of the detail. For conditions not shown, consult Master Builders Solutions for review of specific detail.

Pebbletex CI-DCA

TYPICAL AESTHETIC REVEAL



- Install Master Builders Solutions materials in accordance with current installation instructions.
- Unsatisfactory conditions shall be reported to the General Contractor and corrected before the application of Master Builders Solutions products.
- Verify all materials are installed in accordance with current installation instructions.
- Maintain a minimum 3/4" (19 mm) thick EPS insulation board behind all reveals and aesthetic grooves.
- Reinforcing mesh shall be continuous and care shall be taken to ensure reinforcing mesh is not cut during base coat application.
- Horizontal reveals shall provide for outward positive drainage.
- Reveals must not occur at the abutment of two pieces of EPS insulation board.

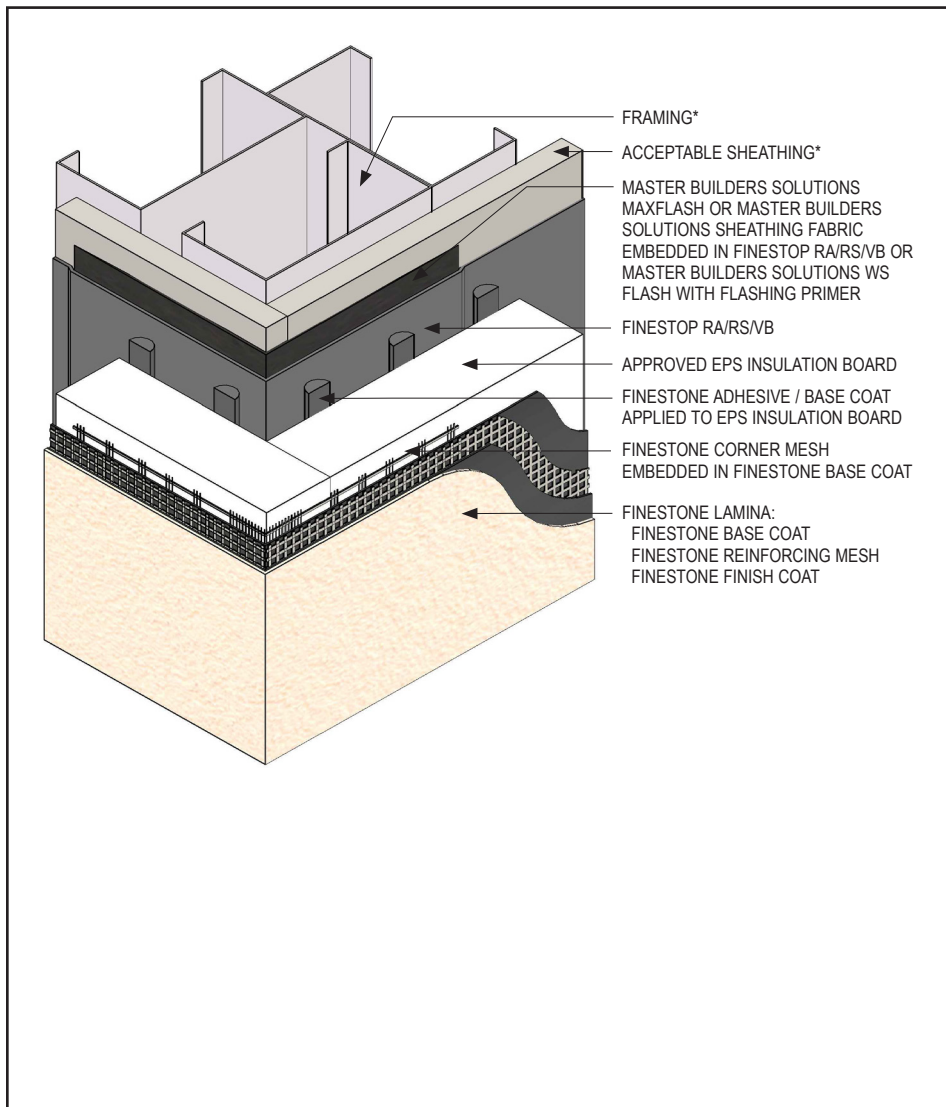
DCA-05 180503

(*NOTE: BY OTHERS)

This detail represents Master Builders Solutions Construction Systems US, LLC (hereinafter Master Builders Solutions) latest recommendations. It is presented in good faith by Master Builders Solutions. The detail is subject to change without notice. Master Builders Solutions accepts no liability for the end use of the detail. For conditions not shown, consult Master Builders Solutions for review of specific detail.

Pebbletex CI-DCA

TYPICAL CORNER MESH APPLICATION WITH STANDARD MESH, INTERMEDIATE 6 OR 12



- Install Master Builders Solutions materials in accordance with current installation instructions.
- Unsatisfactory conditions shall be reported to the General Contractor and corrected before the application of Master Builders Solutions products.
- Verify all materials are installed in accordance with current installation instructions.
- Ensure Standard Mesh, Intermediate 6 or 12 reinforcing mesh is lapped a minimum of 8" (203 mm) around corners.

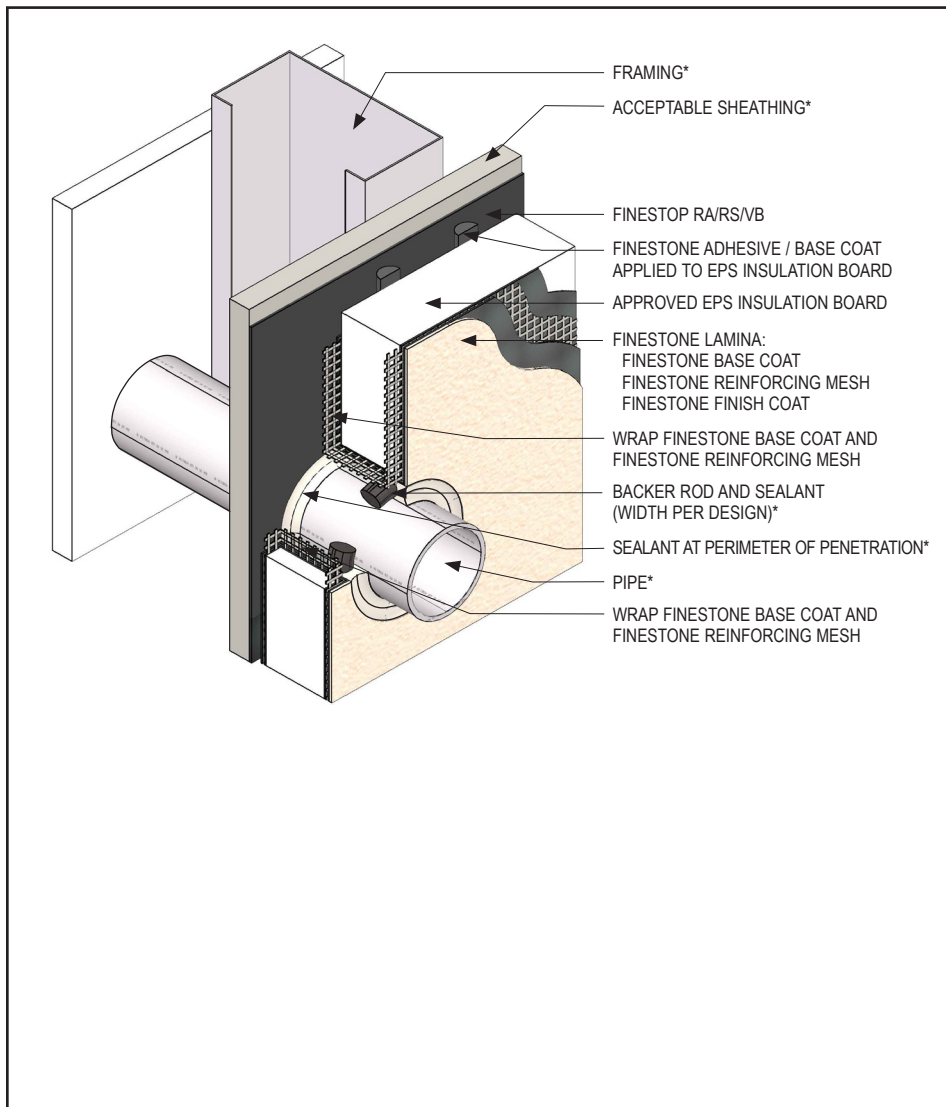
DCA-06 180503

(*NOTE: BY OTHERS)

This detail represents Master Builders Solutions Construction Systems US, LLC (hereinafter Master Builders Solutions) latest recommendations. It is presented in good faith by Master Builders Solutions. The detail is subject to change without notice. Master Builders Solutions accepts no liability for the end use of the detail. For conditions not shown, consult Master Builders Solutions for review of specific detail.

Pebbletex CI-DCA

TYPICAL PIPE PENETRATION



- Install Master Builders Solutions materials in accordance with current installation instructions.
- Unsatisfactory conditions shall be reported to the General Contractor and corrected before the application of Master Builders Solutions products.
- Verify all materials are installed in accordance with current installation instructions.
- All terminations must be fully encapsulated with mesh reinforced basecoat.
- Ensure all penetrations into the system are properly sealed.
- Provide continuous air seal around perimeter of penetration prior to EPS insulation board application.
- Do not apply finish to areas that will receive sealant.

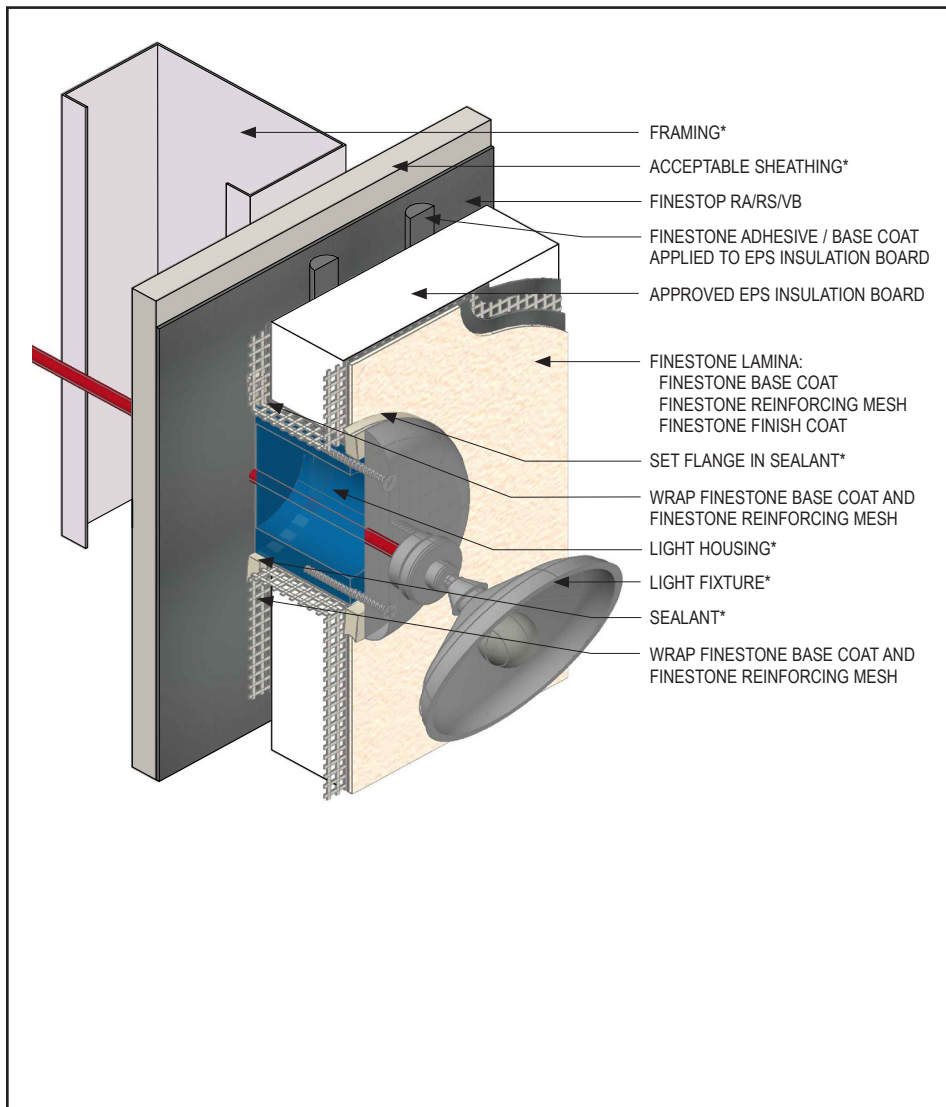
DCA-07 180503

(*NOTE: BY OTHERS)

This detail represents Master Builders Solutions Construction Systems US, LLC (hereinafter Master Builders Solutions) latest recommendations. It is presented in good faith by Master Builders Solutions. The detail is subject to change without notice. Master Builders Solutions accepts no liability for the end use of the detail. For conditions not shown, consult Master Builders Solutions for review of specific detail.

Pebbletex CI-DCA

TYPICAL LIGHT FIXTURE



- Install Master Builders Solutions materials in accordance with current installation instructions.
- Unsatisfactory conditions shall be reported to the General Contractor and corrected before the application of Master Builders Solutions products.
- Verify all materials are installed in accordance with current installation instructions.
- All terminations must be fully encapsulated with mesh reinforced base coat.
- Ensure all penetrations into the system are properly sealed.

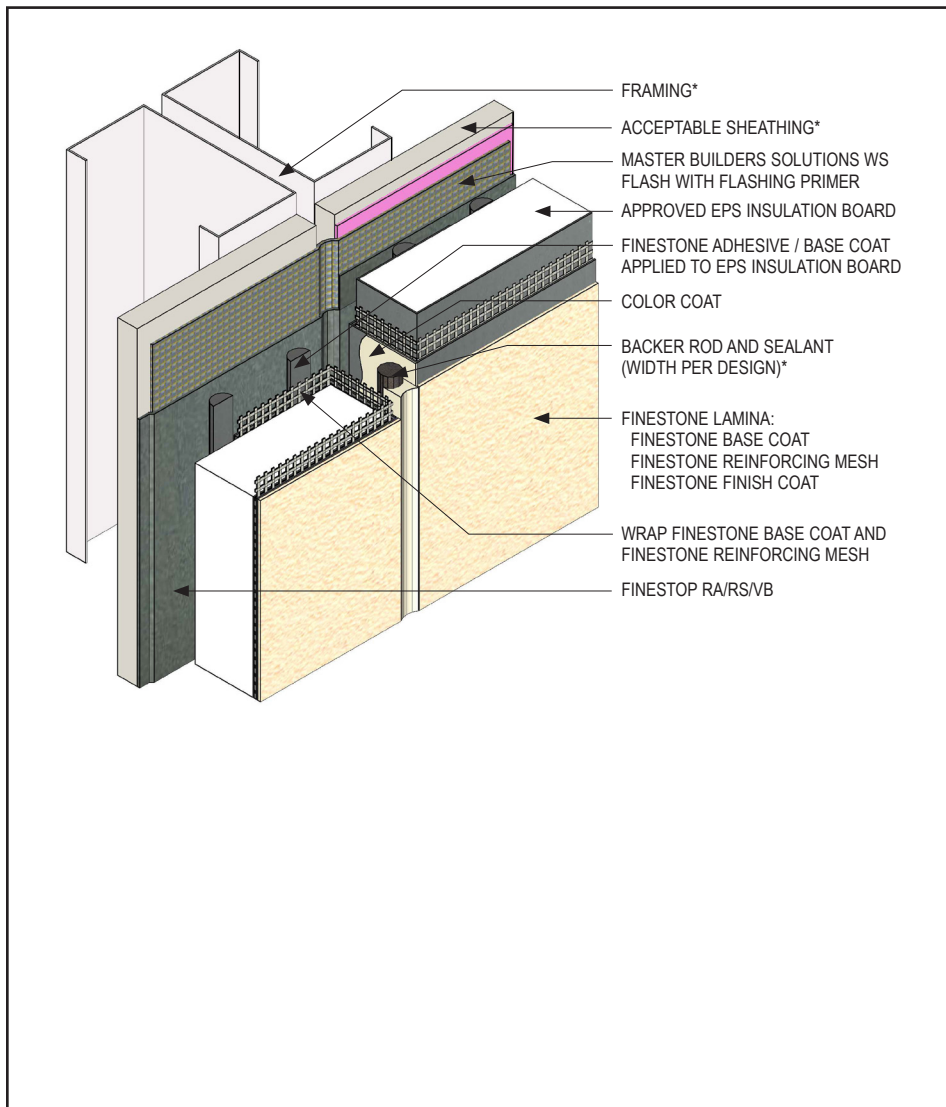
DCA-08 180503

(*NOTE: BY OTHERS)

This detail represents Master Builders Solutions Construction Systems US, LLC (hereinafter Master Builders Solutions) latest recommendations. It is presented in good faith by Master Builders Solutions. The detail is subject to change without notice. Master Builders Solutions accepts no liability for the end use of the detail. For conditions not shown, consult Master Builders Solutions for review of specific detail.

Pebbletex CI-DCA

TYPICAL EXPANSION JOINT



- Install Master Builders Solutions materials in accordance with current installation instructions.
- Unsatisfactory conditions shall be reported to the General Contractor and corrected before the application of Master Builders Solutions products.
- Verify all materials are installed in accordance with current installation instructions.
- All terminations must be fully encapsulated with mesh reinforced base coat.
- Do not apply finish to areas that will receive sealant.
- Ensure drainage plane is continuous and unobstructed at expansion joint.
- Install expansion joints in the system at all changes in substrate, through existing expansion joints, floor lines in multi-level wood frame construction, and where movement is anticipated. It is the sole responsibility of the design professional to determine specific expansion joint location, placement and design.

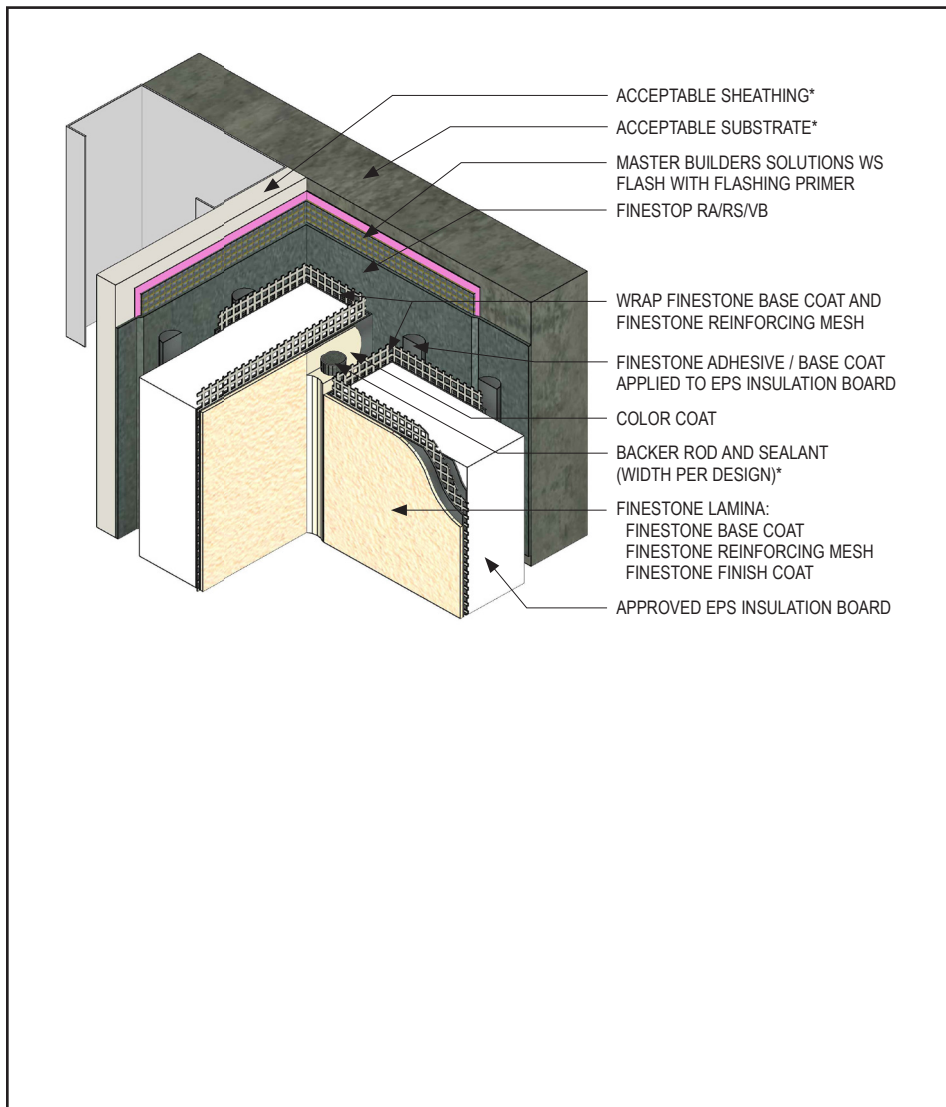
DCA-09 180503

(*NOTE: BY OTHERS)

This detail represents Master Builders Solutions Construction Systems US, LLC (hereinafter Master Builders Solutions) latest recommendations. It is presented in good faith by Master Builders Solutions. The detail is subject to change without notice. Master Builders Solutions accepts no liability for the end use of the detail. For conditions not shown, consult Master Builders Solutions for review of specific detail.

Pebbletex CI-DCA

TYPICAL EXPANSION JOINT AT CHANGE IN SUBSTRATE



- Install Master Builders Solutions materials in accordance with current installation instructions.
- Unsatisfactory conditions shall be reported to the General Contractor and corrected before the application of Master Builders Solutions products.
- Verify all materials are installed in accordance with current installation instructions.
- All terminations must be fully encapsulated with mesh reinforced base coat.
- Do not apply finish to areas that will receive sealant.
- Ensure drainage plane is continuous and unobstructed at expansion joint.
- Install expansion joints in the system at all changes in substrate, through existing expansion joints, floor lines in multilevel wood frame construction, and where movement is anticipated. It is the sole responsibility of the design professional to determine specific expansion joint location, placement and design.

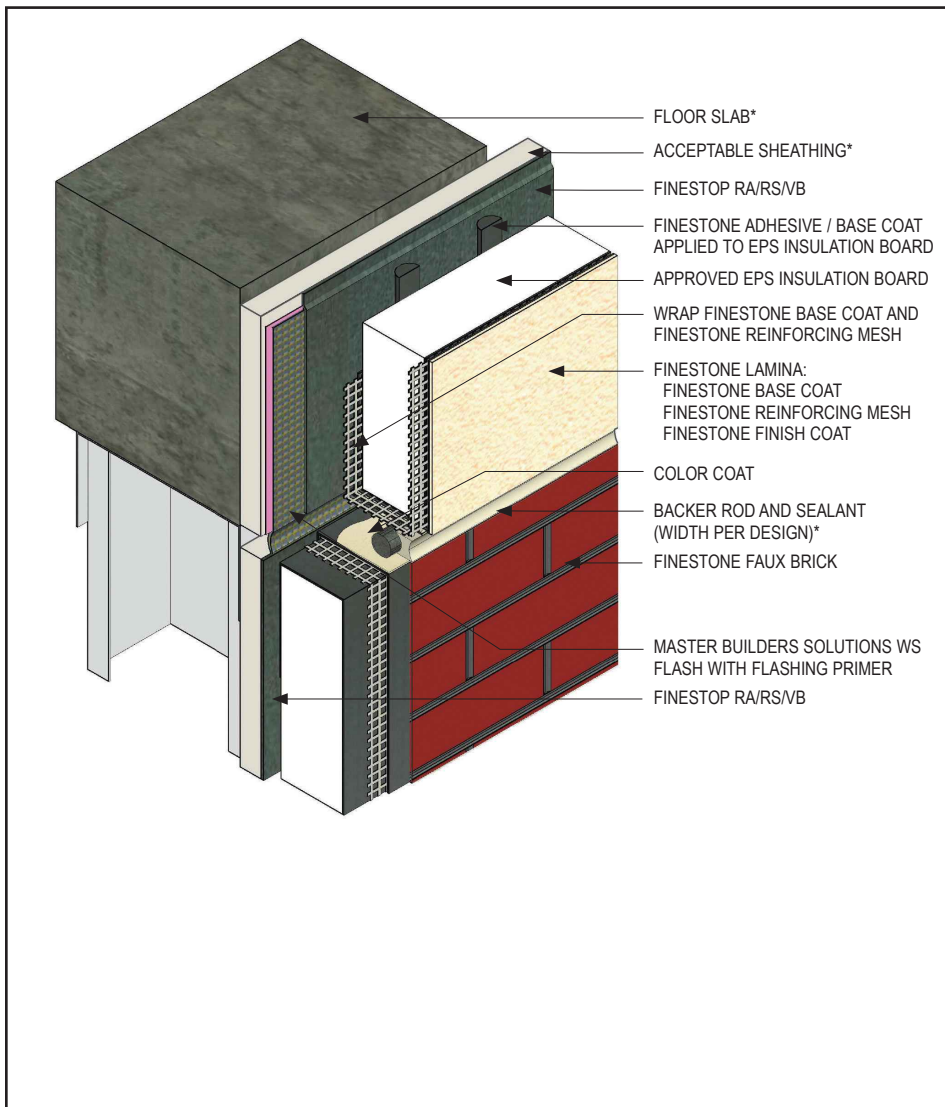
DCA-10 180503

(*NOTE: BY OTHERS)

This detail represents Master Builders Solutions Construction Systems US, LLC (hereinafter Master Builders Solutions) latest recommendations. It is presented in good faith by Master Builders Solutions. The detail is subject to change without notice. Master Builders Solutions accepts no liability for the end use of the detail. For conditions not shown, consult Master Builders Solutions for review of specific detail.

Pebbletex CI-DCA

TYPICAL EXPANSION JOINT AT FLOORLINE



- Install Master Builders Solutions materials in accordance with current installation instructions.
- Unsatisfactory conditions shall be reported to the General Contractor and corrected before the application of Master Builders Solutions products.
- Verify all materials are installed in accordance with current installation instructions.
- All terminations must be fully encapsulated with mesh reinforced base coat.
- Do not apply finish to areas that will receive sealant.
- Install expansion joints in the system at all changes in substrate, through existing expansion joints, floor lines in multilevel wood frame construction, and where movement is anticipated. It is the sole responsibility of the design professional to determine specific expansion joint location, placement and design.
- It is recommended that a means for drainage is provided at every third floor. (See typical drainage at floorline detail).

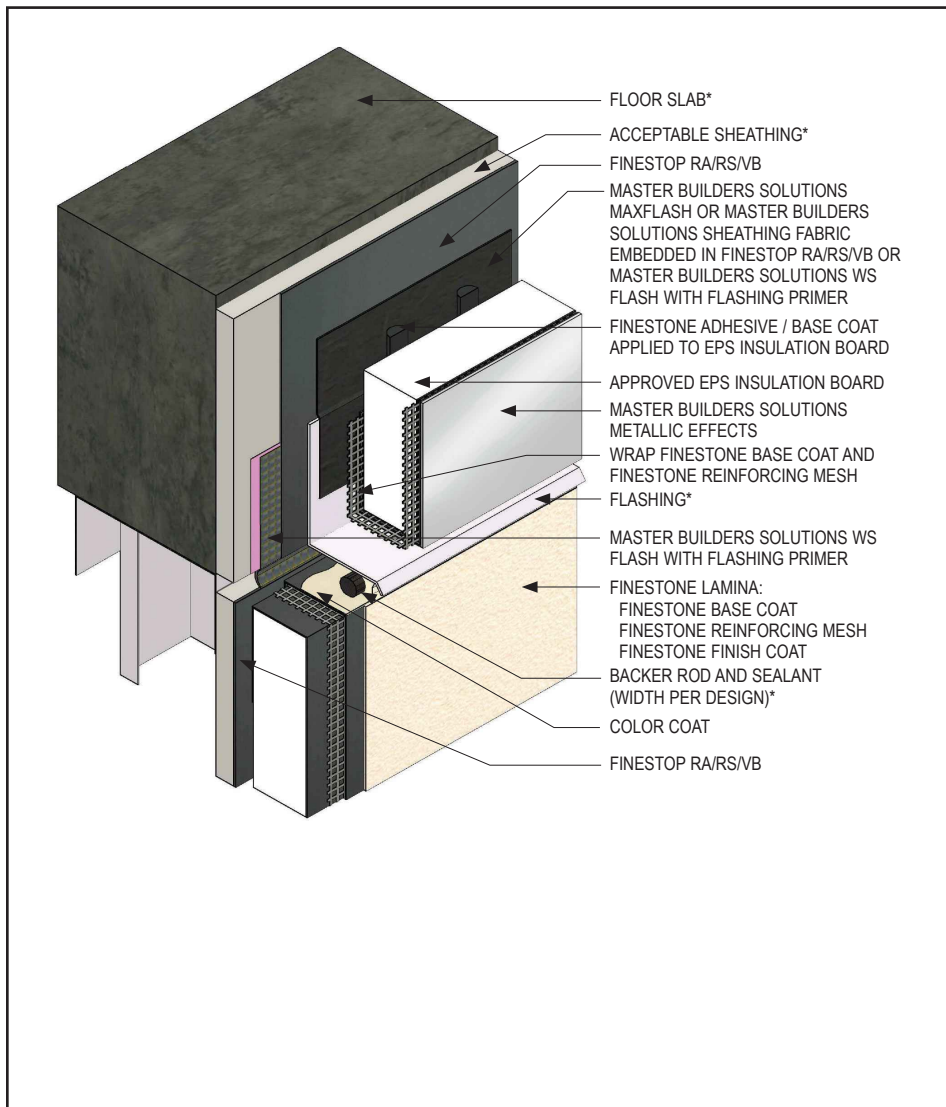
DCA-11 180503

(*NOTE: BY OTHERS)

This detail represents Master Builders Solutions Construction Systems US, LLC (hereinafter Master Builders Solutions) latest recommendations. It is presented in good faith by Master Builders Solutions. The detail is subject to change without notice. Master Builders Solutions accepts no liability for the end use of the detail. For conditions not shown, consult Master Builders Solutions for review of specific detail.

Pebbletex CI-DCA

TYPICAL DRAINAGE AT FLOORLINE



DCA-12 180503

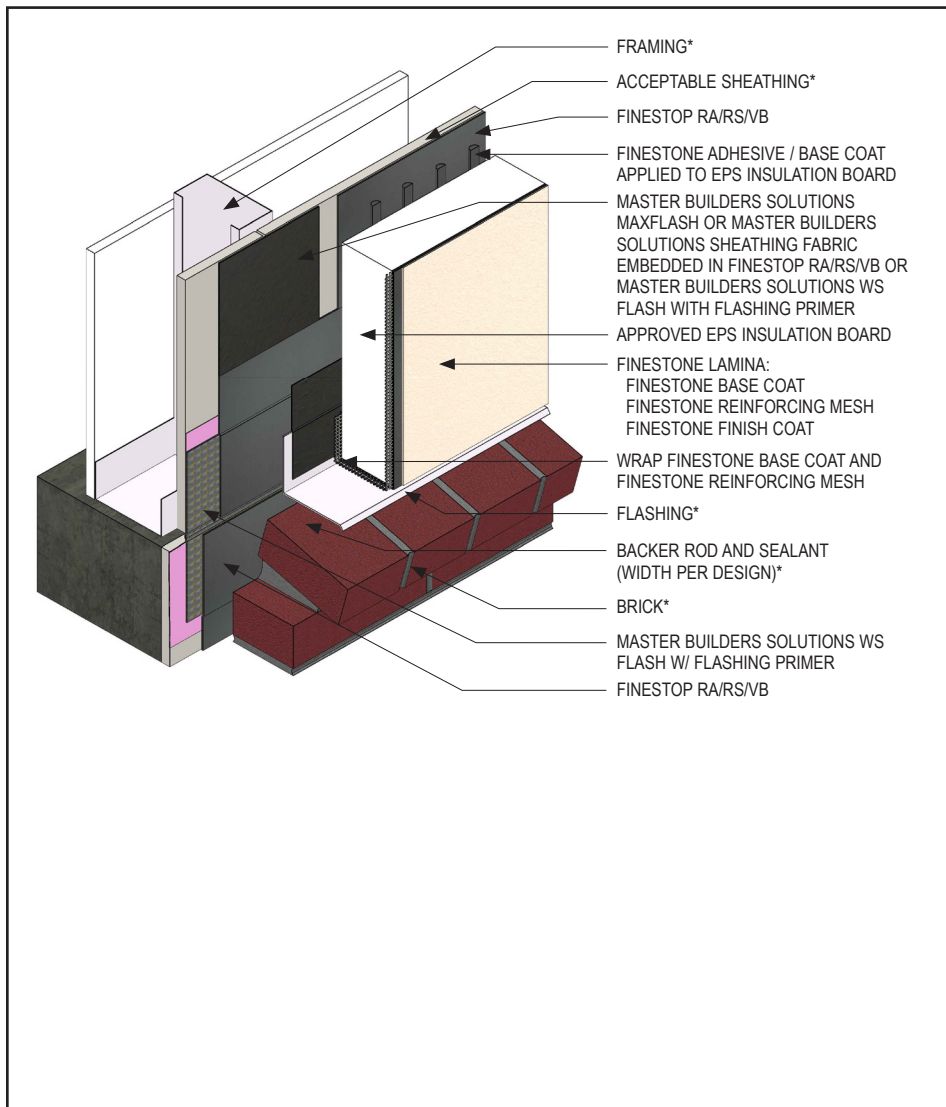
(*NOTE: BY OTHERS)

- Install Master Builders Solutions materials in accordance with current installation instructions.
- Unsatisfactory conditions shall be reported to the General Contractor and corrected before the application of Master Builders Solutions products.
- Verify all materials are installed in accordance with current installation instructions.
- All terminations must be fully encapsulated with mesh reinforced base coat.
- Do not apply finish to areas that will receive sealant.
- Install expansion joints in the system at all changes in substrate, through existing expansion joints, floor lines in multilevel wood frame construction, and where movement is anticipated. It is the sole responsibility of the design professional to determine specific expansion joint location, placement and design.
- It is recommended that a means for drainage is provided at every third floor.

This detail represents Master Builders Solutions Construction Systems US, LLC (hereinafter Master Builders Solutions) latest recommendations. It is presented in good faith by Master Builders Solutions. The detail is subject to change without notice. Master Builders Solutions accepts no liability for the end use of the detail. For conditions not shown, consult Master Builders Solutions for review of specific detail.

Pebbletex CI-DCA

TYPICAL ABUTMENT TO BRICK WITH DRAINAGE AT FLOORLINE



- Install Master Builders Solutions materials in accordance with current installation instructions.
- Unsatisfactory conditions shall be reported to the General Contractor and corrected before the application of Master Builders Solutions products.
- Verify all materials are installed in accordance with current installation instructions.
- All terminations must be fully encapsulated with mesh reinforced base coat.
- Ensure a means for drainage is provided at system termination at brick.
- Brick ties not shown for clarity.
- Brick must be installed per local code requirements.

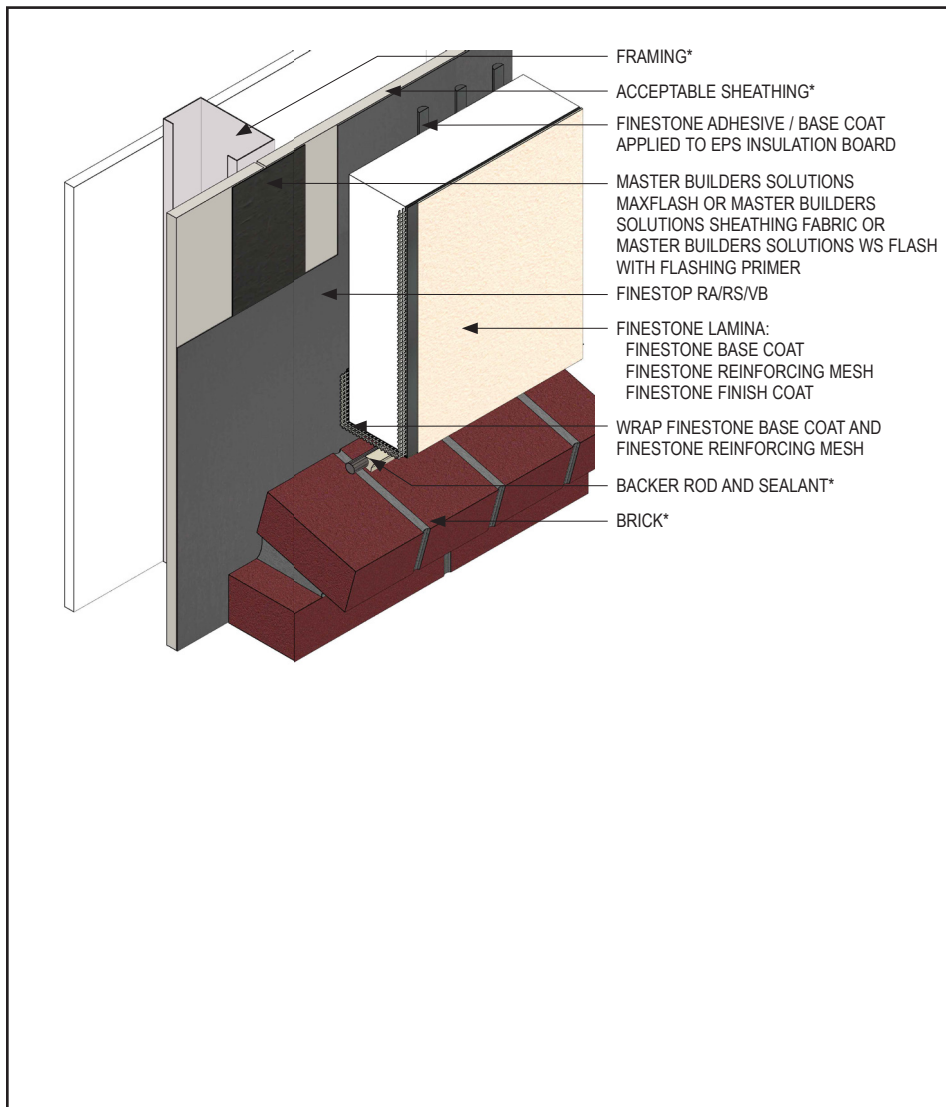
DCA-13 180503

(*NOTE: BY OTHERS)

This detail represents Master Builders Solutions Construction Systems US, LLC (hereinafter Master Builders Solutions) latest recommendations. It is presented in good faith by Master Builders Solutions. The detail is subject to change without notice. Master Builders Solutions accepts no liability for the end use of the detail. For conditions not shown, consult Master Builders Solutions for review of specific detail.

Pebbletex CI-DCA

TYPICAL ABUTMENT TO BRICK



- Install Master Builders Solutions materials in accordance with current installation instructions.
- Unsatisfactory conditions shall be reported to the General Contractor and corrected before the application of Master Builders Solutions products.
- Verify all materials are installed in accordance with current installation instructions.
- All terminations must be fully encapsulated with mesh reinforced base coat.
- Ensure a continuous drainage plane is maintained at system abutment to brick.
- Brick ties not shown for clarity.
- Brick must be installed per local code requirements.

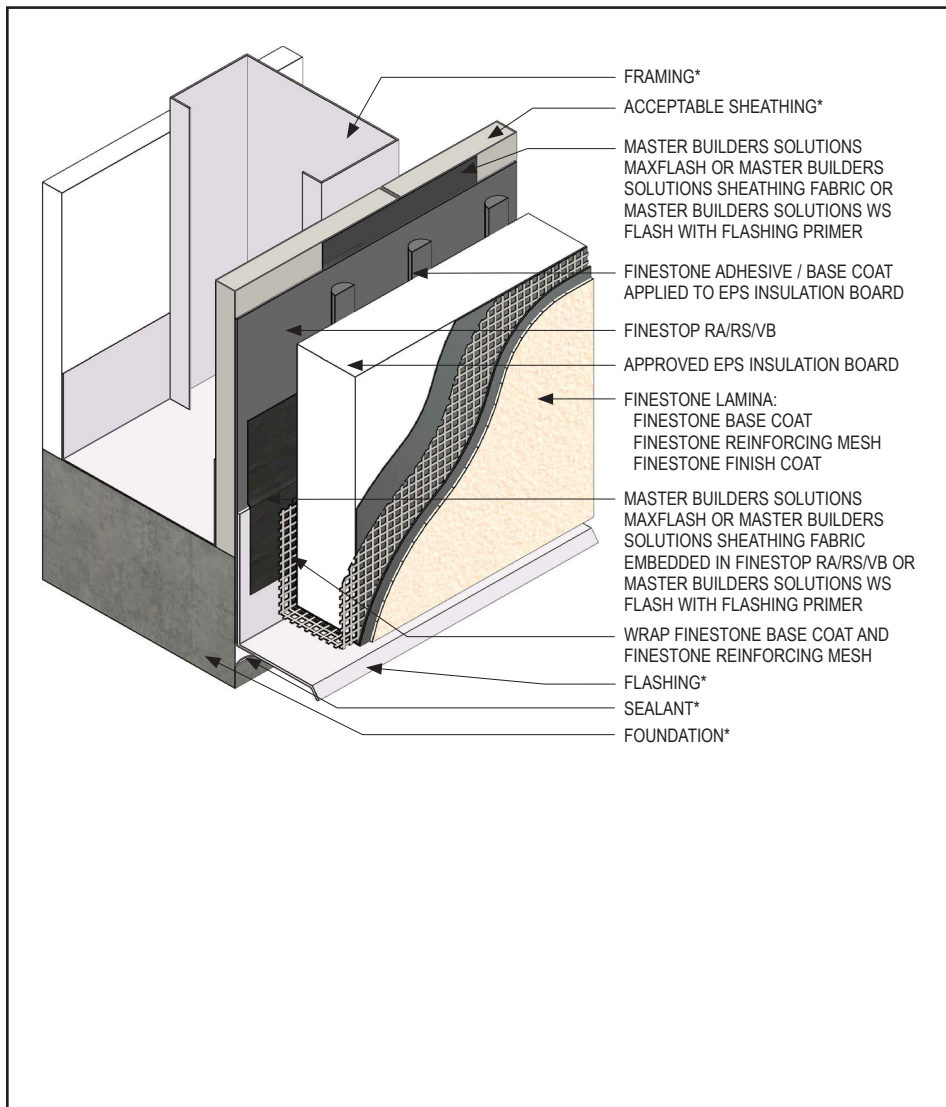
DCA-14 180503

(*NOTE: BY OTHERS)

This detail represents Master Builders Solutions Construction Systems US, LLC (hereinafter Master Builders Solutions) latest recommendations. It is presented in good faith by Master Builders Solutions. The detail is subject to change without notice. Master Builders Solutions accepts no liability for the end use of the detail. For conditions not shown, consult Master Builders Solutions for review of specific detail.

Pebbletex CI-DCA

TYPICAL TERMINATION AT THE FOUNDATION



- Install Master Builders Solutions materials in accordance with current installation instructions.
- Unsatisfactory conditions shall be reported to the General Contractor and corrected before the application of Master Builders Solutions products.
- Verify all materials are installed in accordance with current installation instructions.
- All terminations must be fully encapsulated with mesh reinforced base coat.
- Ensure a means for drainage is provided at system termination at foundation.
- Terminate system a minimum of 8" (203 mm) above grade.
- Extend system a minimum of 2" (50 mm) and a maximum of 12" (305 mm) at the sole plate foundation transition.

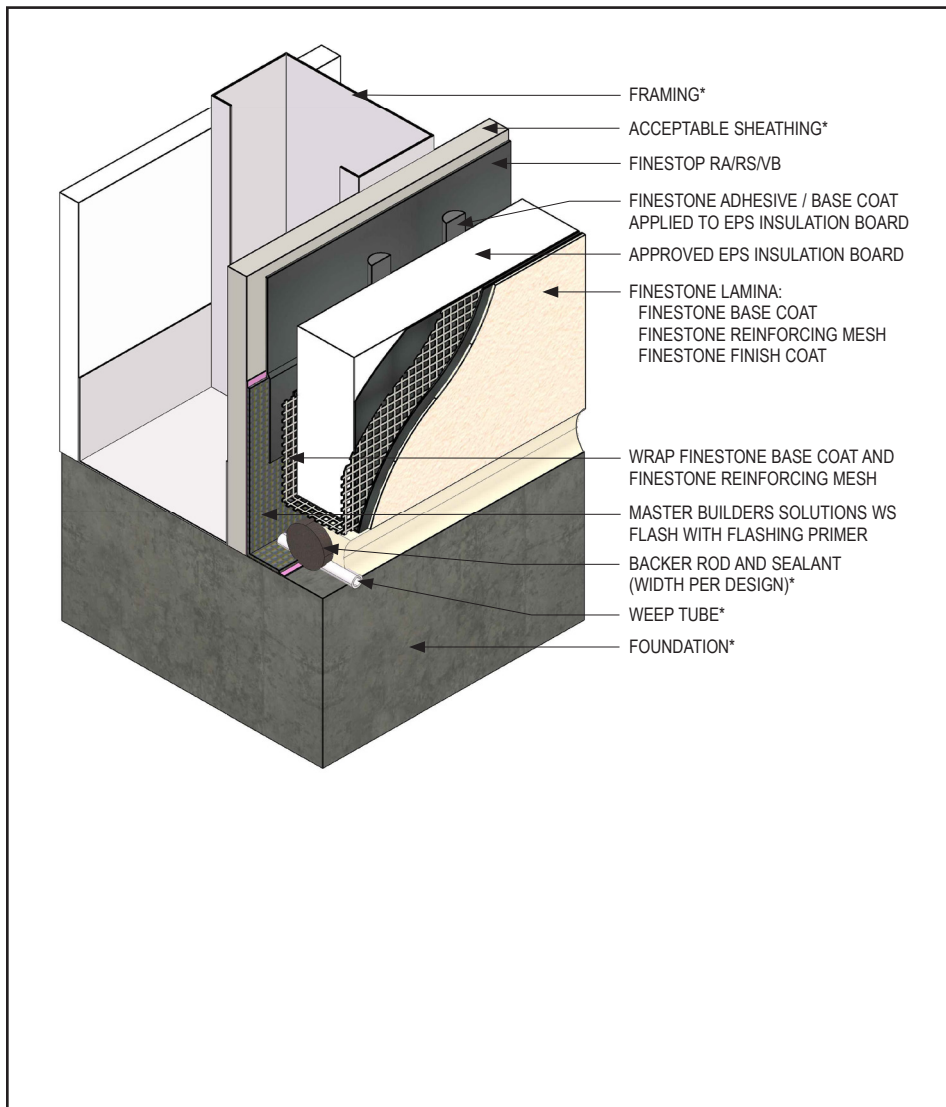
DCA-15 180503

(*NOTE: BY OTHERS)

This detail represents Master Builders Solutions Construction Systems US, LLC (hereinafter Master Builders Solutions) latest recommendations. It is presented in good faith by Master Builders Solutions. The detail is subject to change without notice. Master Builders Solutions accepts no liability for the end use of the detail. For conditions not shown, consult Master Builders Solutions for review of specific detail.

Pebbletex CI-DCA

TYPICAL TERMINATION AT FOUNDATION (FLUSH)



- Install Master Builders Solutions materials in accordance with current installation instructions.
- Unsatisfactory conditions shall be reported to the General Contractor and corrected before the application of Master Builders Solutions products.
- Verify all materials are installed in accordance with current installation instructions.
- All terminations must be fully encapsulated with mesh reinforced base coat.
- Ensure a means for drainage is provided at system termination at foundation.
- Place weep tubes a minimum of 24" (610 mm) on center.
- Do not apply finish to areas that will receive sealant.

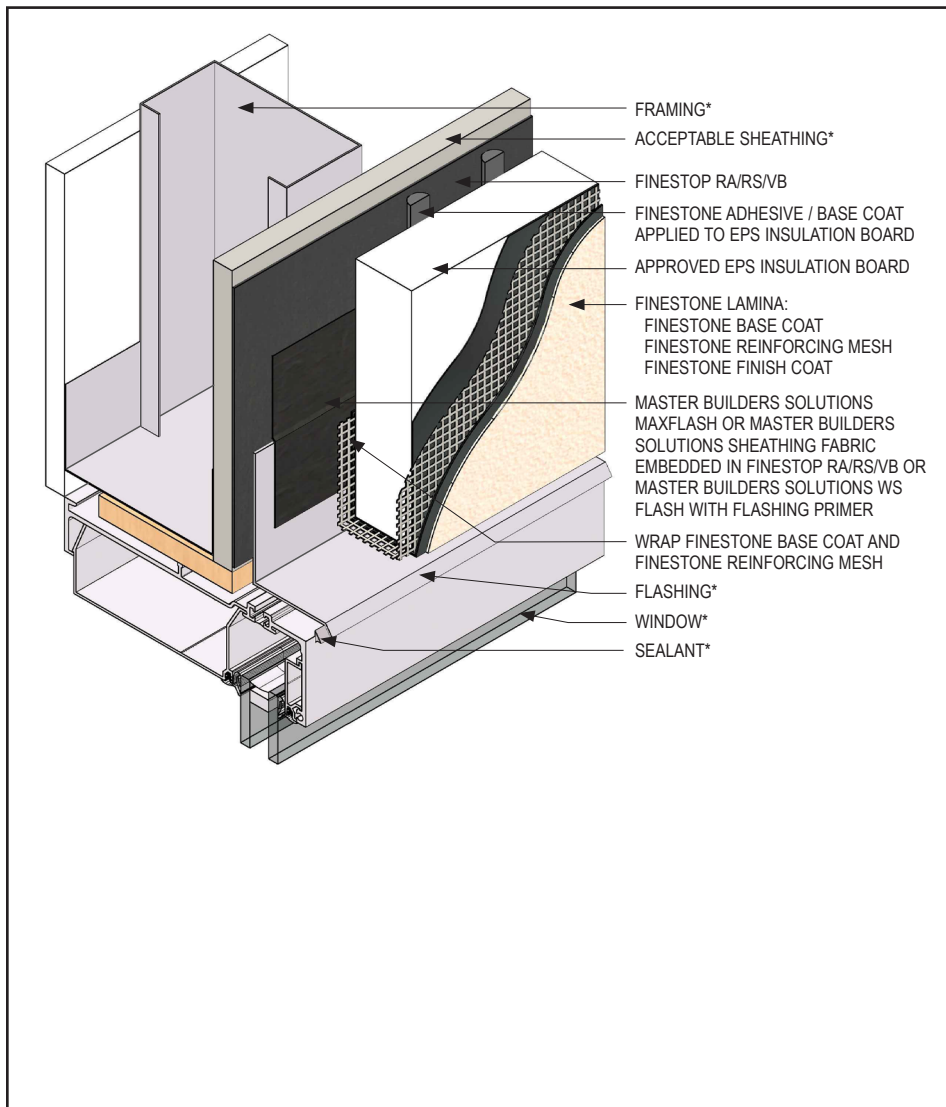
DCA-16 180503

(*NOTE: BY OTHERS)

This detail represents Master Builders Solutions Construction Systems US, LLC (hereinafter Master Builders Solutions) latest recommendations. It is presented in good faith by Master Builders Solutions. The detail is subject to change without notice. Master Builders Solutions accepts no liability for the end use of the detail. For conditions not shown, consult Master Builders Solutions for review of specific detail.

Pebbletex CI-DCA

TYPICAL WINDOW HEAD (FLUSH)



- Install Master Builders Solutions materials in accordance with current installation instructions.
- Unsatisfactory conditions shall be reported to the General Contractor and corrected before the application of Master Builders Solutions products.
- Verify all materials are installed in accordance with current installation instructions.
- All terminations must be fully encapsulated with mesh reinforced base coat.
- Ensure a means for drainage is provided at system termination at window head.
- Provide end-dams at flashing terminations.
- Provide continuous air seal around interior perimeter of window. Contact window manufacturer for specific installation instructions.

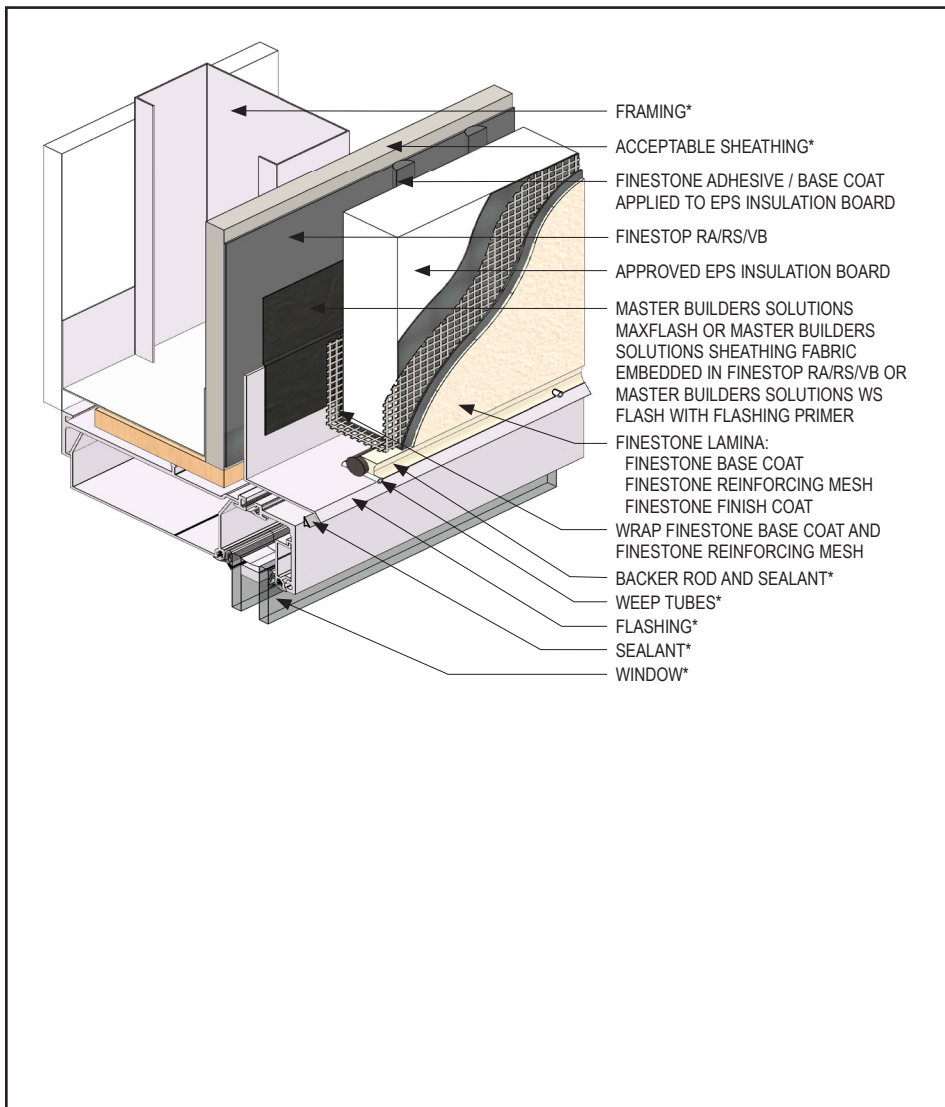
DCA-17 180503

(*NOTE: BY OTHERS)

This detail represents Master Builders Solutions Construction Systems US, LLC (hereinafter Master Builders Solutions) latest recommendations. It is presented in good faith by Master Builders Solutions. The detail is subject to change without notice. Master Builders Solutions accepts no liability for the end use of the detail. For conditions not shown, consult Master Builders Solutions for review of specific detail.

Pebbletex CI-DCA

TYPICAL WINDOW HEAD (FLUSH) WITH WEEP TUBES



- Install Master Builders Solutions materials in accordance with current installation instructions.
- Unsatisfactory conditions shall be reported to the General Contractor and corrected before the application of Master Builders Solutions products.
- Verify all materials are installed in accordance with current installation instructions.
- All terminations must be fully encapsulated with mesh reinforced base coat.
- Ensure a means for drainage is provided at system termination at window head.
- Provide end-dams at flashing terminations.
- Provide continuous air seal around interior perimeter of window. Contact window manufacturer for specific installation instructions.
- Do not apply finish to areas that will receive sealant.

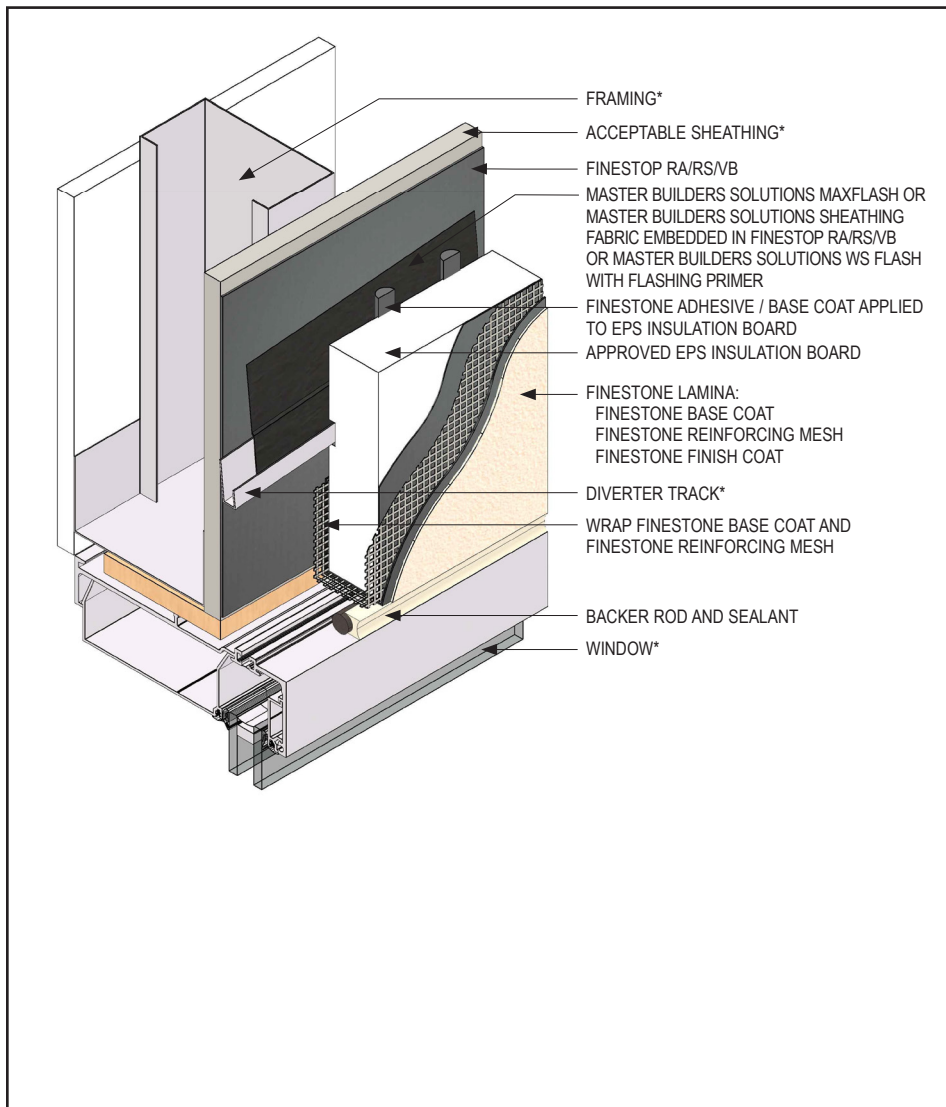
DCA-18 180503

(*NOTE: BY OTHERS)

This detail represents Master Builders Solutions Construction Systems US, LLC (hereinafter Master Builders Solutions) latest recommendations. It is presented in good faith by Master Builders Solutions. The detail is subject to change without notice. Master Builders Solutions accepts no liability for the end use of the detail. For conditions not shown, consult Master Builders Solutions for review of specific detail.

Pebbletex CI-DCA

TYPICAL WINDOW HEAD (FLUSH) WITH DIVERTER TRACK



- Install Master Builders Solutions materials in accordance with current installation instructions.
- Unsatisfactory conditions shall be reported to the General Contractor and corrected before the application of Master Builders Solutions products.
- Verify all materials are installed in accordance with current installation instructions.
- All terminations must be fully encapsulated with mesh reinforced base coat.
- Provide continuous air seal around interior perimeter of window. Contact window manufacturer for specific installation instructions.
- Ensure that the diverter flashing extends 6" (152 mm) beyond opening on either side of the opening to allow potential moisture to drain down the wall to the side of the opening. Master Builders Solutions maxflash or Sheathing Fabric embedded in Finestop RA/RS/VB or ws flash must be extended over flange of flashing. Maintain a minimum of 3/4" (19 mm) EPS insulation thickness. Ensure the diverter track flashing is sloped to provide a means for drainage.

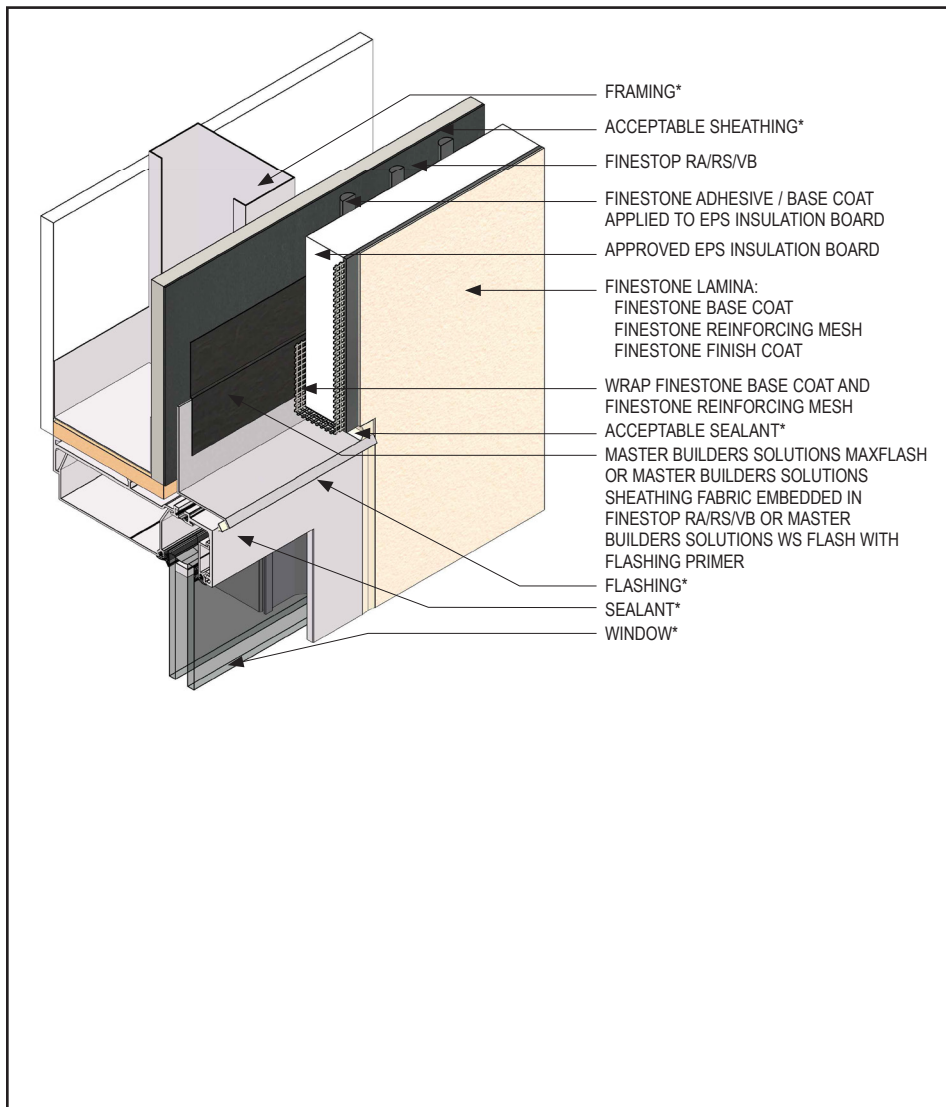
DCA-19 180503

(*NOTE: BY OTHERS)

This detail represents Master Builders Solutions Construction Systems US, LLC (hereinafter Master Builders Solutions) latest recommendations. It is presented in good faith by Master Builders Solutions. The detail is subject to change without notice. Master Builders Solutions accepts no liability for the end use of the detail. For conditions not shown, consult Master Builders Solutions for review of specific detail.

Pebbletex CI-DCA

TYPICAL WINDOW HEAD WITH SEALANT END DAM



- Install Master Builders Solutions materials in accordance with current installation instructions.
- Unsatisfactory conditions shall be reported to the General Contractor and corrected before the application of Master Builders Solutions products.

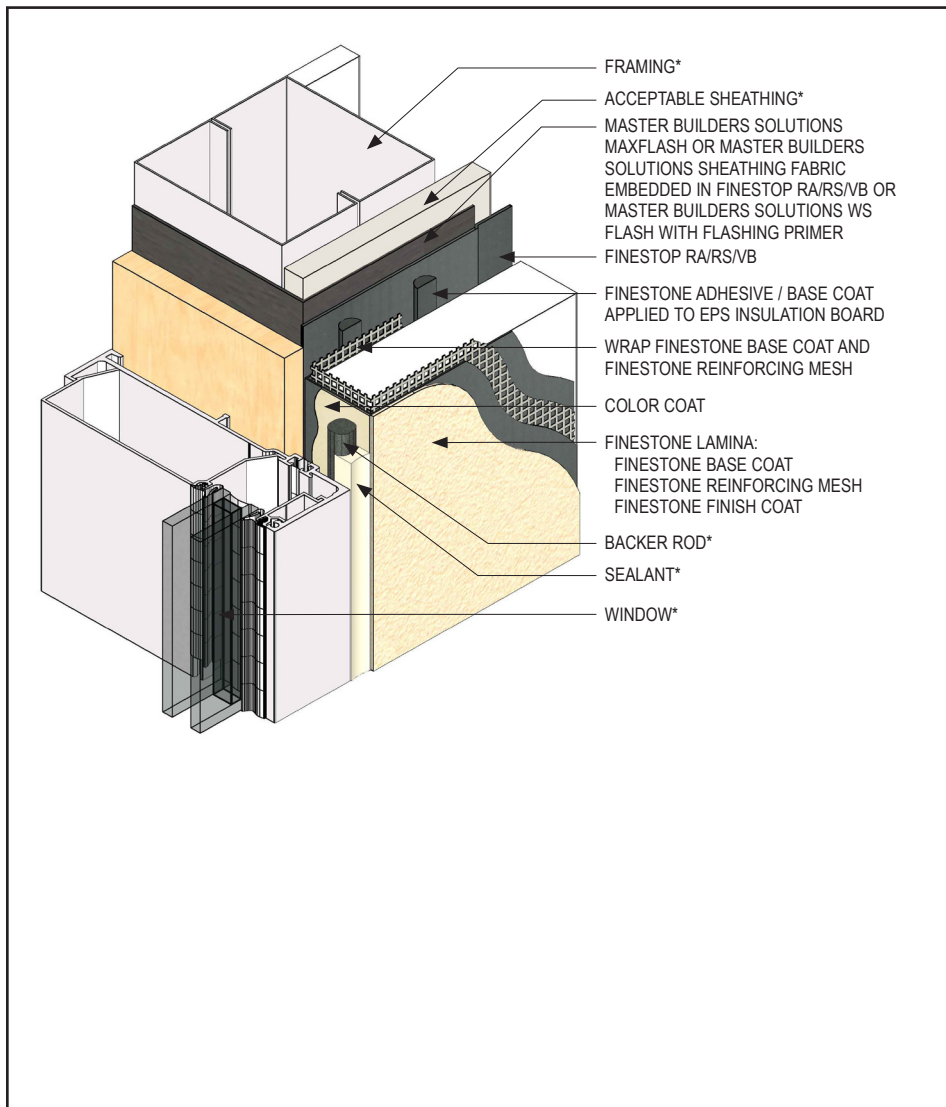
DCA-20 180503

(*NOTE: BY OTHERS)

This detail represents Master Builders Solutions Construction Systems US, LLC (hereinafter Master Builders Solutions) latest recommendations. It is presented in good faith by Master Builders Solutions. The detail is subject to change without notice. Master Builders Solutions accepts no liability for the end use of the detail. For conditions not shown, consult Master Builders Solutions for review of specific detail.

Pebbletex CI-DCA

TYPICAL WINDOW JAMB (FLUSH)



- Install Master Builders Solutions materials in accordance with current installation instructions.
- Unsatisfactory conditions shall be reported to the General Contractor and corrected before the application of Master Builders Solutions products.
- Verify all materials are installed in accordance with current installation instructions.
- All terminations must be fully encapsulated with mesh reinforced base coat.
- Ensure water-resistive barrier is properly applied into the rough openings in accordance with application guidelines and code requirements prior to EPS insulation board application.
- Do not apply finish to areas that will receive sealant.
- Provide a back wrapped type joint with backer rod and sealant at system terminations to dissimilar materials, ensuring that a water tight seal is achieved (width per design).
- Provide continuous air seal around interior perimeter of interior window. Contact window manufacturer for specific installation instructions.

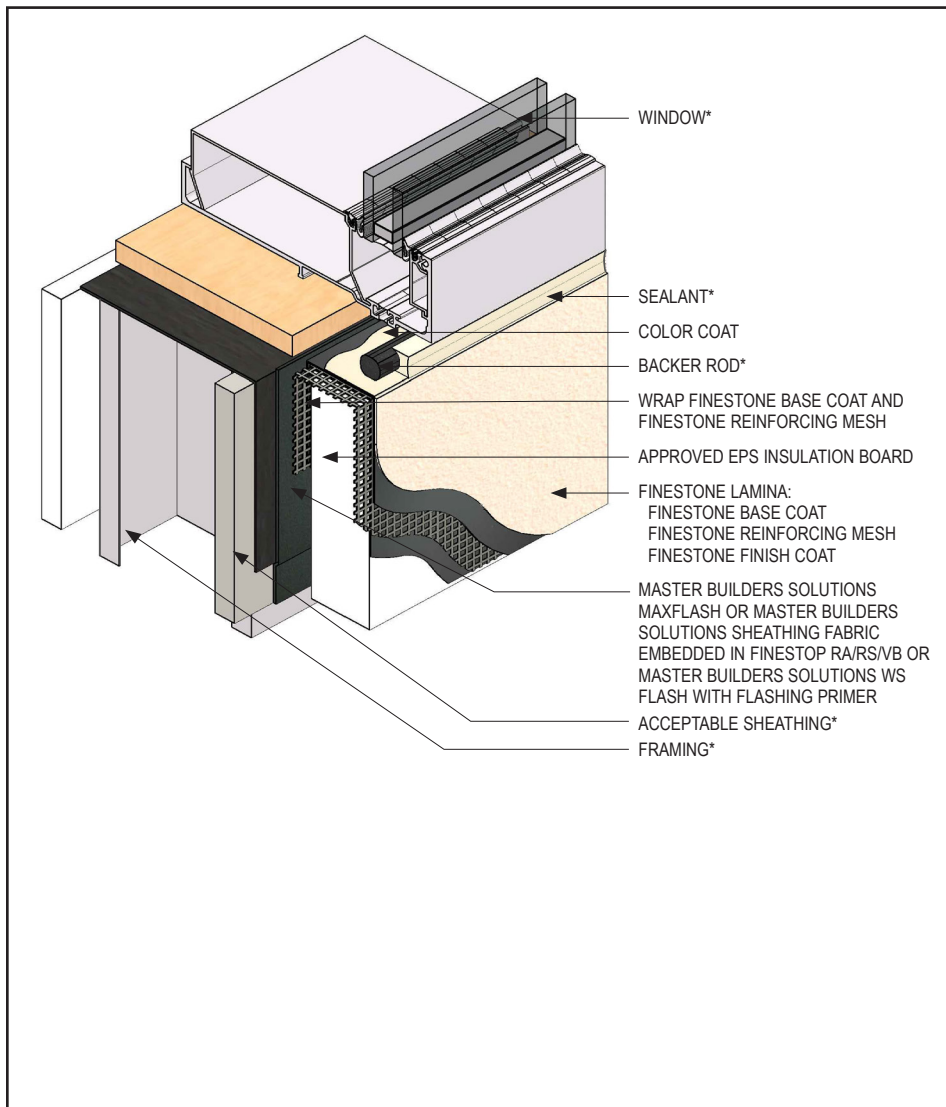
DCA-21 180503

(*NOTE: BY OTHERS)

This detail represents Master Builders Solutions Construction Systems US, LLC (hereinafter Master Builders Solutions) latest recommendations. It is presented in good faith by Master Builders Solutions. The detail is subject to change without notice. Master Builders Solutions accepts no liability for the end use of the detail. For conditions not shown, consult Master Builders Solutions for review of specific detail.

Pebbletex CI-DCA

TYPICAL WINDOW SILL (FLUSH)



- Install Master Builders Solutions materials in accordance with current installation instructions.
- Unsatisfactory conditions shall be reported to the General Contractor and corrected before the application of Master Builders Solutions products.
- Verify all materials are installed in accordance with current installation instructions.
- All terminations must be fully encapsulated with mesh reinforced base coat.
- Ensure water-resistive barrier is properly applied into the rough openings in accordance with application guidelines and code requirements prior to EPS insulation board application.
- Do not apply finish to areas that will receive sealant.
- Provide a back wrapped type joint with backer rod and sealant at system terminations to dissimilar materials, ensuring that a water tight seal is achieved (width per design).
- Provide continuous air seal around interior perimeter of interior window. Contact window manufacturer for specific installation instructions.

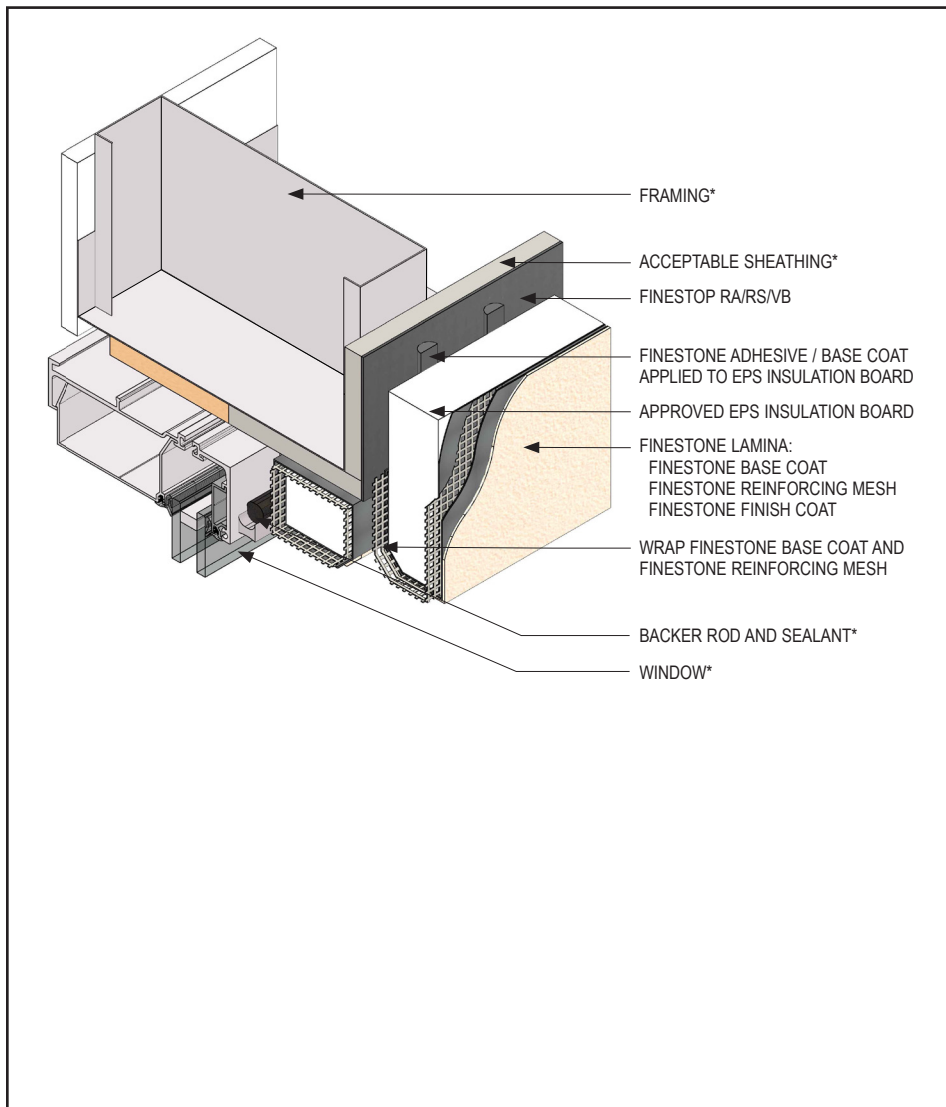
DCA-22 180503

(*NOTE: BY OTHERS)

This detail represents Master Builders Solutions Construction Systems US, LLC (hereinafter Master Builders Solutions) latest recommendations. It is presented in good faith by Master Builders Solutions. The detail is subject to change without notice. Master Builders Solutions accepts no liability for the end use of the detail. For conditions not shown, consult Master Builders Solutions for review of specific detail.

Pebbletex CI-DCA

TYPICAL WINDOW HEAD (RECESSED)



- Install Master Builders Solutions materials in accordance with current installation instructions.
- Unsatisfactory conditions shall be reported to the General Contractor and corrected before the application of Master Builders Solutions products.
- Verify all materials are installed in accordance with current installation instructions.
- All terminations must be fully encapsulated with mesh reinforced base coat.
- Do not apply finish to areas that will receive sealant.
- Ensure a means for drainage is provided at system termination at soffit/fascia transition.
- Provide a back wrapped type joint with backer rod and sealant at system terminations to dissimilar materials, ensuring that a water tight seal is achieved (width per design).
- Provide continuous air seal around interior perimeter of interior window. Contact window manufacturer for specific installation instructions.

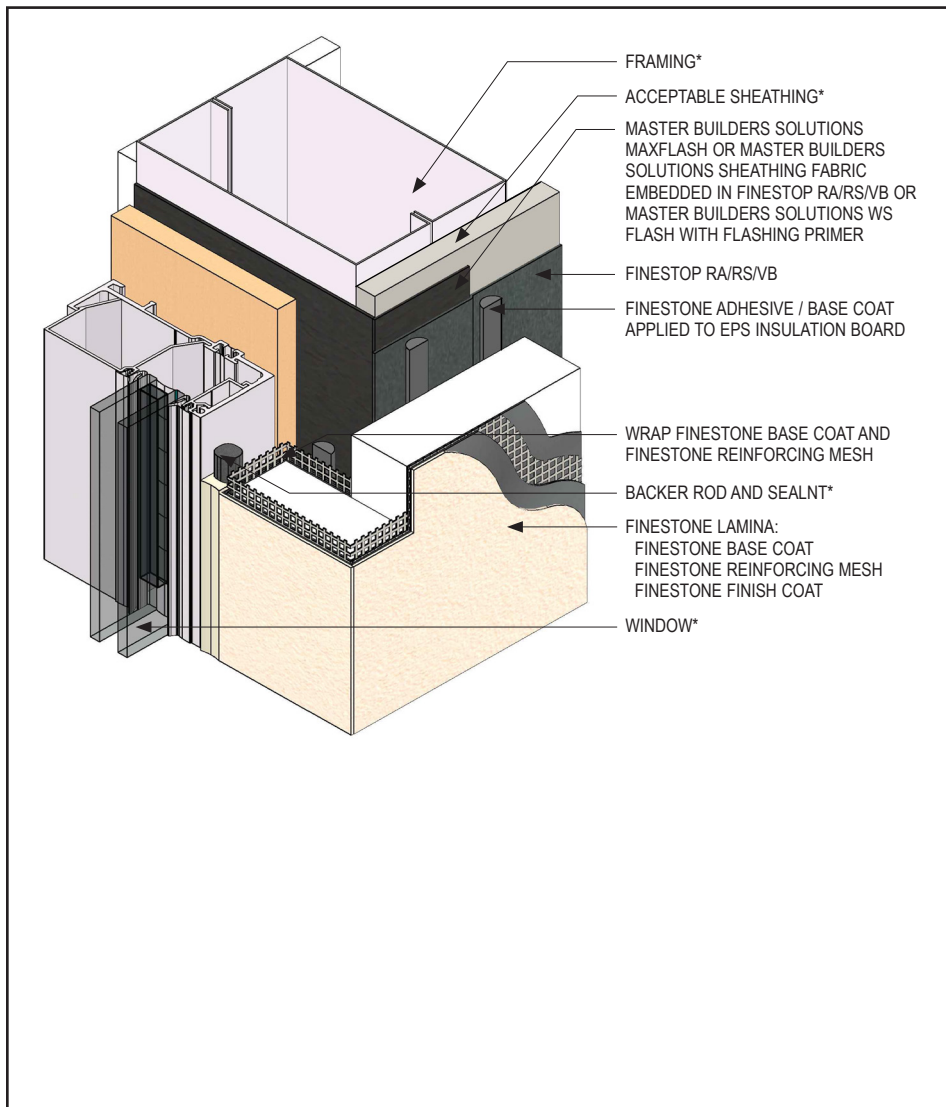
DCA-23 180503

(*NOTE: BY OTHERS)

This detail represents Master Builders Solutions Construction Systems US, LLC (hereinafter Master Builders Solutions) latest recommendations. It is presented in good faith by Master Builders Solutions. The detail is subject to change without notice. Master Builders Solutions accepts no liability for the end use of the detail. For conditions not shown, consult Master Builders Solutions for review of specific detail.

Pebbletex CI-DCA

TYPICAL WINDOW JAMB (RECESSED)



- Install Master Builders Solutions materials in accordance with current installation instructions.
- Unsatisfactory conditions shall be reported to the General Contractor and corrected before the application of Master Builders Solutions products.
- Verify all materials are installed in accordance with current installation instructions.
- All terminations must be fully encapsulated with mesh reinforced base coat.
- Ensure water-resistive barrier is properly applied into the rough openings in accordance with application guidelines and code requirements prior to EPS insulation board application.
- Do not apply finish to areas that will receive sealant.
- Provide a back wrapped type joint with backer rod and sealant at system terminations to dissimilar materials, ensuring that a water tight seal is achieved (width per design).
- Provide continuous air seal around interior perimeter of interior window. Contact window manufacturer for specific installation instructions.

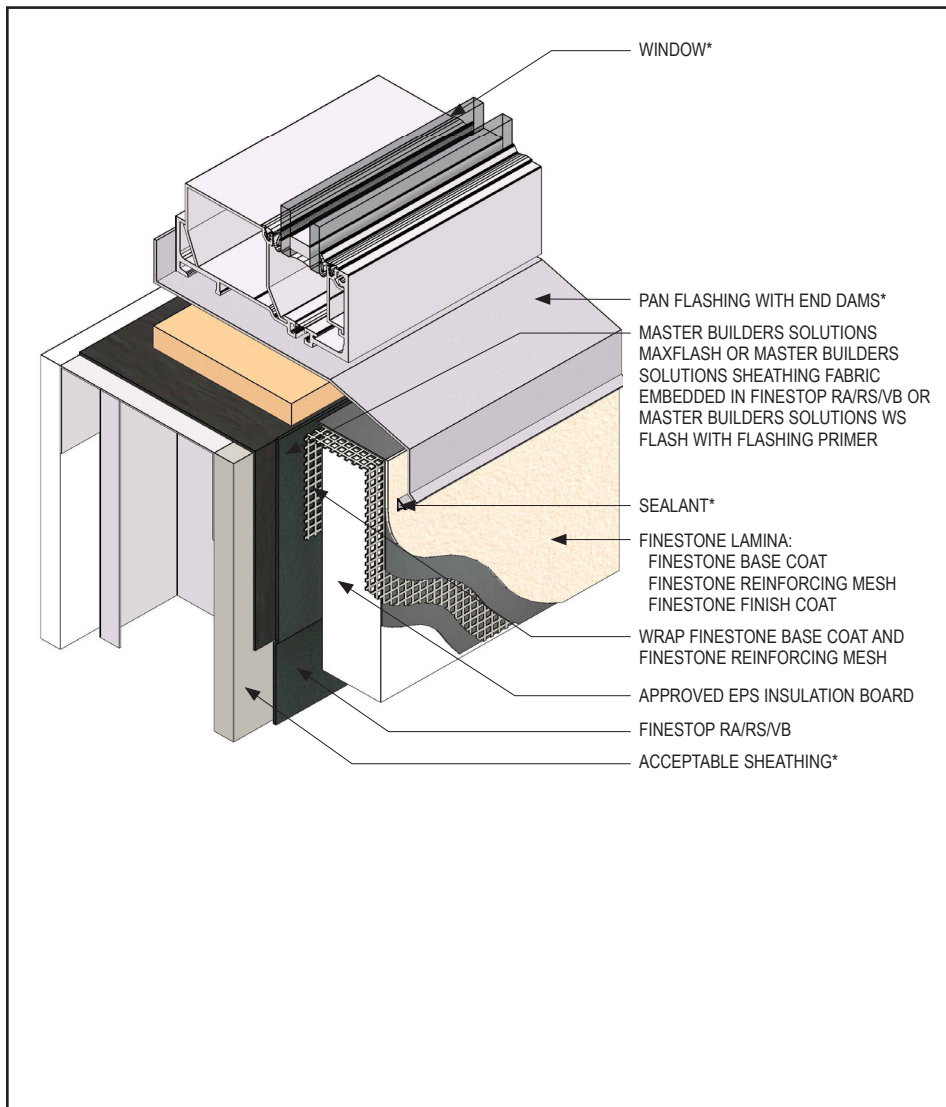
DCA-24 180503

(*NOTE: BY OTHERS)

This detail represents Master Builders Solutions Construction Systems US, LLC (hereinafter Master Builders Solutions) latest recommendations. It is presented in good faith by Master Builders Solutions. The detail is subject to change without notice. Master Builders Solutions accepts no liability for the end use of the detail. For conditions not shown, consult Master Builders Solutions for review of specific detail.

Pebbletex CI-DCA

TYPICAL WINDOW SILL (RECESSED)



- Install Master Builders Solutions materials in accordance with current installation instructions.
- Unsatisfactory conditions shall be reported to the General Contractor and corrected before the application of Master Builders Solutions products.
- Verify all materials are installed in accordance with current installation instructions.
- All terminations must be fully encapsulated with mesh reinforced base coat.
- Ensure water-resistive barrier is properly applied into the rough openings in accordance with application guidelines and code requirements prior to EPS insulation board application.
- Ensure that metal pan flashing extends onto the system a minimum of 2" (50 mm) down the face and that end dams are provided.
- Provide continuous air seal around interior perimeter of interior window. Contact window manufacturer for specific installation instructions.

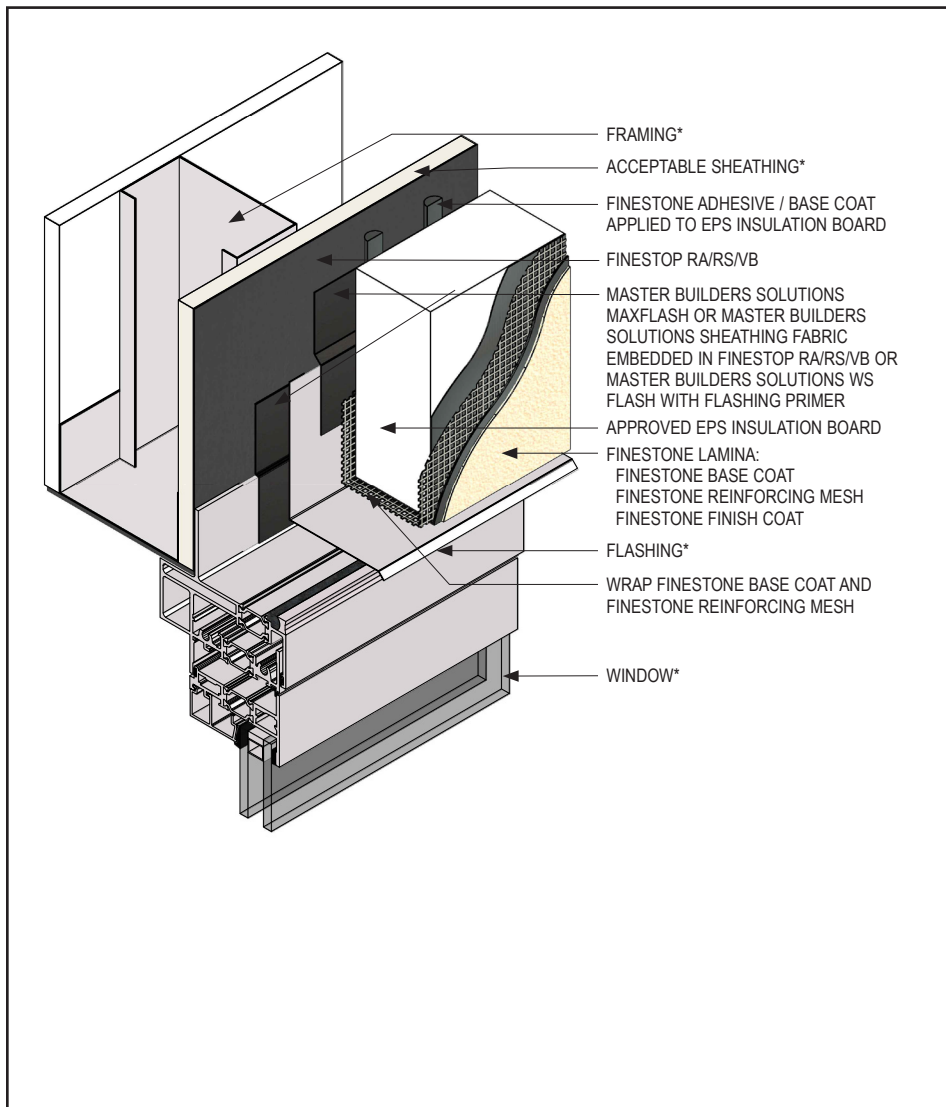
DCA-25 180503

(*NOTE: BY OTHERS)

This detail represents Master Builders Solutions Construction Systems US, LLC (hereinafter Master Builders Solutions) latest recommendations. It is presented in good faith by Master Builders Solutions. The detail is subject to change without notice. Master Builders Solutions accepts no liability for the end use of the detail. For conditions not shown, consult Master Builders Solutions for review of specific detail.

Pebbletex CI-DCA

TYPICAL FLANGED WINDOW HEAD



- Install Master Builders Solutions materials in accordance with current installation instructions.
- Unsatisfactory conditions shall be reported to the General Contractor and corrected before the application of Master Builders Solutions products.

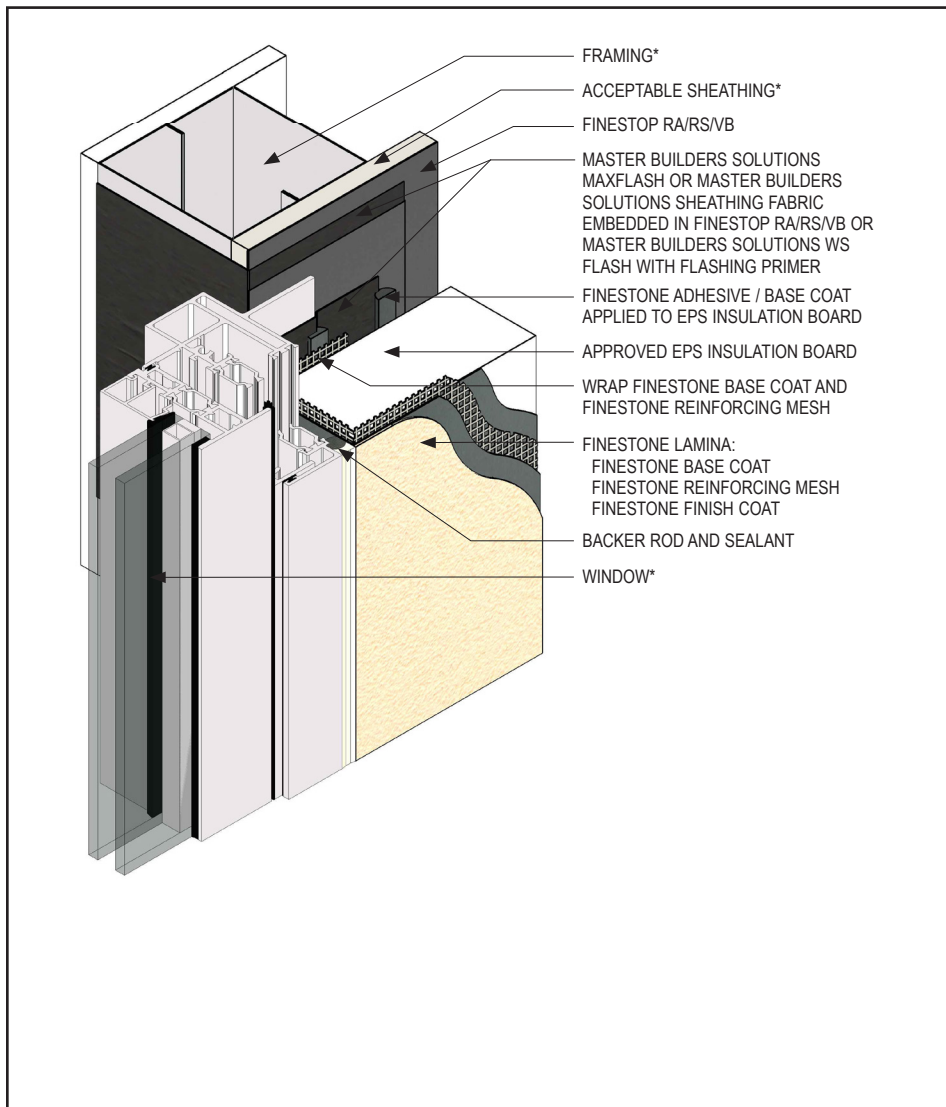
DCA-26 180503

(*NOTE: BY OTHERS)

This detail represents Master Builders Solutions Construction Systems US, LLC (hereinafter Master Builders Solutions) latest recommendations. It is presented in good faith by Master Builders Solutions. The detail is subject to change without notice. Master Builders Solutions accepts no liability for the end use of the detail. For conditions not shown, consult Master Builders Solutions for review of specific detail.

Pebbletex CI-DCA

TYPICAL FLANGED WINDOW JAMB



- Install Master Builders Solutions materials in accordance with current installation instructions.
- Unsatisfactory conditions shall be reported to the General Contractor and corrected before the application of Master Builders Solutions products.

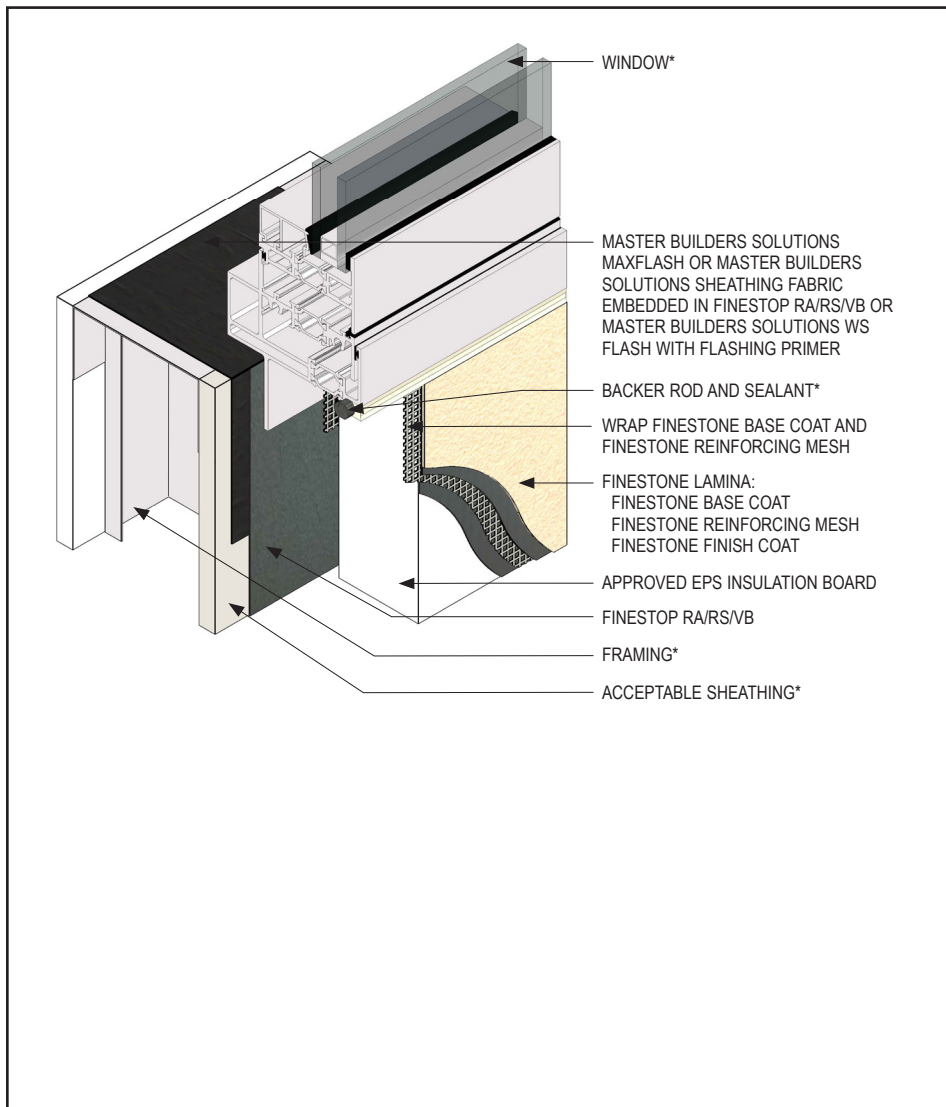
DCA-27 180503

(*NOTE: BY OTHERS)

This detail represents Master Builders Solutions Construction Systems US, LLC (hereinafter Master Builders Solutions) latest recommendations. It is presented in good faith by Master Builders Solutions. The detail is subject to change without notice. Master Builders Solutions accepts no liability for the end use of the detail. For conditions not shown, consult Master Builders Solutions for review of specific detail.

Pebbletex CI-DCA

TYPICAL FLANGED WINDOW SILL



- Install Master Builders Solutions materials in accordance with current installation instructions.
- Unsatisfactory conditions shall be reported to the General Contractor and corrected before the application of Master Builders Solutions products.

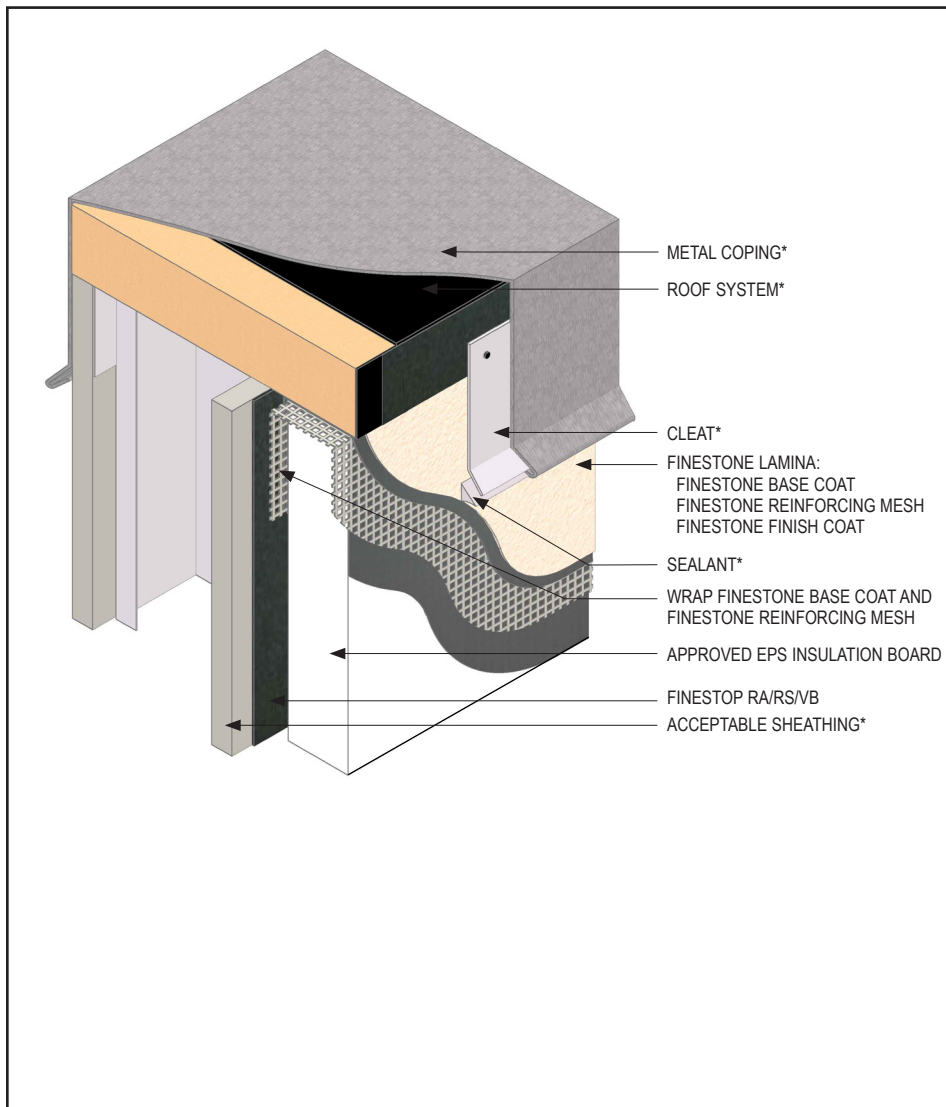
DCA-28 180503

(*NOTE: BY OTHERS)

This detail represents Master Builders Solutions Construction Systems US, LLC (hereinafter Master Builders Solutions) latest recommendations. It is presented in good faith by Master Builders Solutions. The detail is subject to change without notice. Master Builders Solutions accepts no liability for the end use of the detail. For conditions not shown, consult Master Builders Solutions for review of specific detail.

Pebbletex CI-DCA

TYPICAL COPING



- Install Master Builders Solutions materials in accordance with current installation instructions.
- Unsatisfactory conditions shall be reported to the General Contractor and corrected before the application of Master Builders Solutions products.
- Verify all materials are installed in accordance with current installation instructions.
- All terminations must be fully encapsulated with mesh reinforced base coat.
- Ensure that metal coping/ flashing extends onto the system a minimum of 2" (50 mm) down the face.

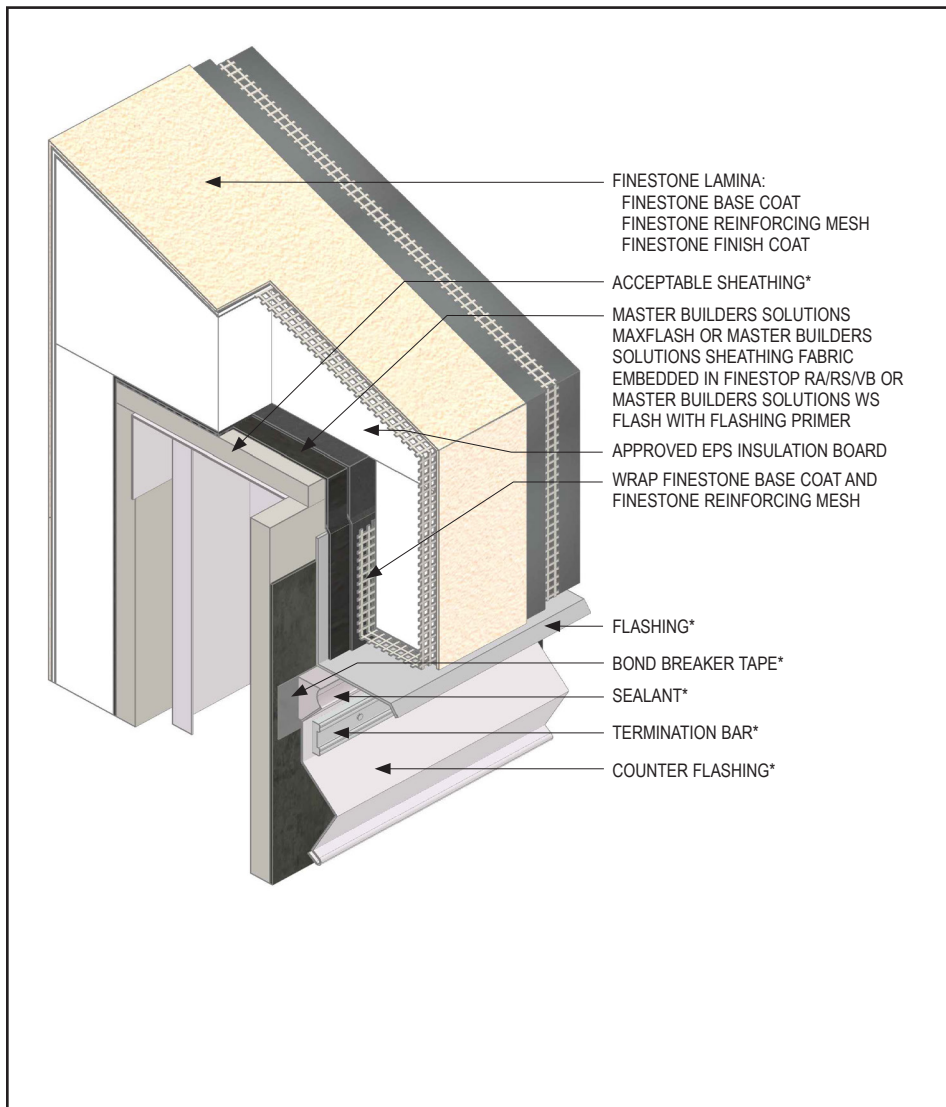
DCA-29 180503

(*NOTE: BY OTHERS)

This detail represents Master Builders Solutions Construction Systems US, LLC (hereinafter Master Builders Solutions) latest recommendations. It is presented in good faith by Master Builders Solutions. The detail is subject to change without notice. Master Builders Solutions accepts no liability for the end use of the detail. For conditions not shown, consult Master Builders Solutions for review of specific detail.

Pebbletex CI-DCA

TYPICAL PARAPET CAP



DCA-30 180503

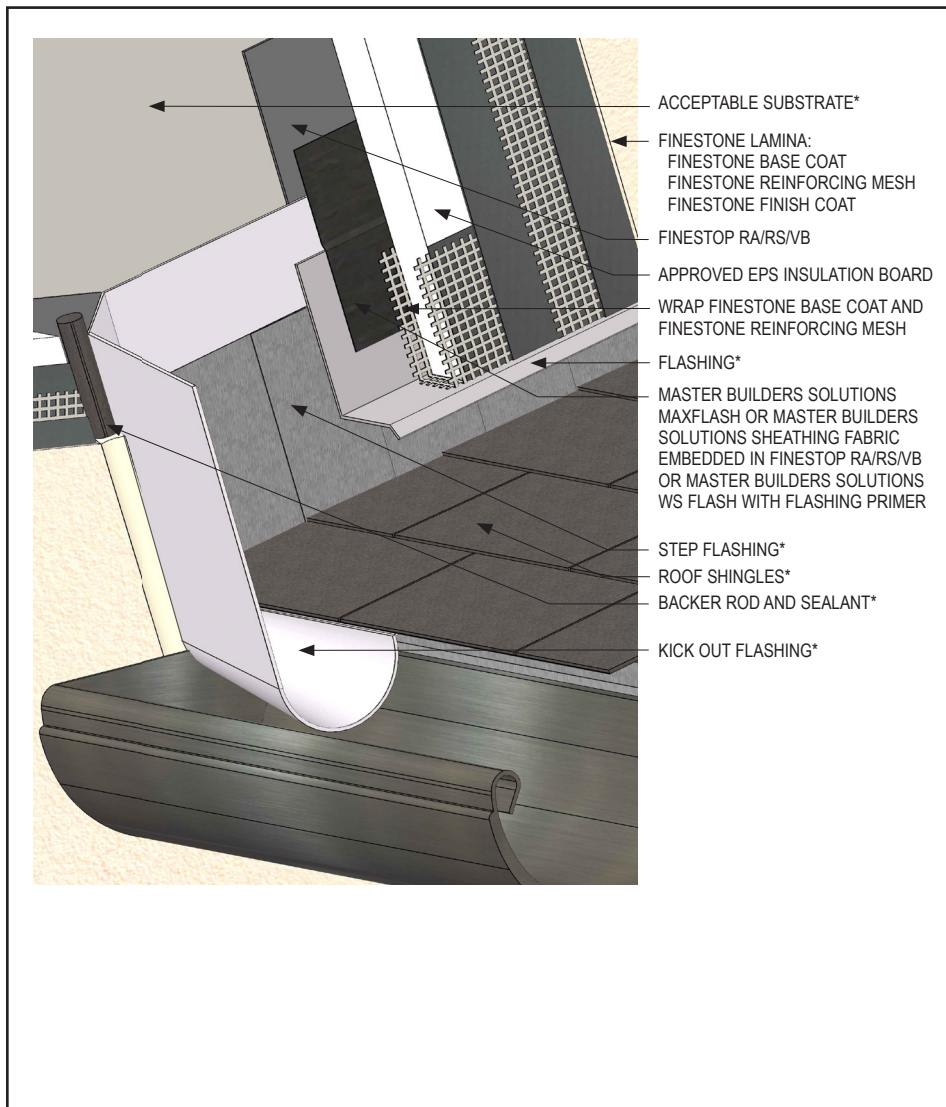
(*NOTE: BY OTHERS)

- Install Master Builders Solutions materials in accordance with current installation instructions.
- Unsatisfactory conditions shall be reported to the General Contractor and corrected before the application of Master Builders Solutions products.
- Verify all materials are installed in accordance with current installation instructions.
- Provide a minimum 6:12 slope for all horizontal surfaces. Finestone requires the use of a roofing system or metal cap flashing for sloped surfaces over 24" (610 mm).
- Additional layers of mesh reinforced base coat is recommended when sloped surfaces exceed 12" (305 mm).
- Ensure a means for drainage is provided at system termination.
- Terminate system a minimum of 8" (203 mm) above roof.
- Maintain a minimum 1" (25 mm) thick EPS insulation board.

This detail represents Master Builders Solutions Construction Systems US, LLC (hereinafter Master Builders Solutions) latest recommendations. It is presented in good faith by Master Builders Solutions. The detail is subject to change without notice. Master Builders Solutions accepts no liability for the end use of the detail. For conditions not shown, consult Master Builders Solutions for review of specific detail.

Pebbletex CI-DCA

TYPICAL KICK-OUT FLASHING



- Install Master Builders Solutions materials in accordance with current installation instructions.
- Unsatisfactory conditions shall be reported to the General Contractor and corrected before the application of Master Builders Solutions products.
- Verify all materials are installed in accordance with current installation instructions.
- All terminations must be fully encapsulated with mesh reinforced base coat.
- Ensure a means for drainage is provided at system termination at roof.
- Terminate system a minimum of 2" (50 mm) above roof.
- Ensure step flashing is a minimum of 2" (50 mm) behind system.
- Kick-out flashing shall be a minimum of 4" (102 mm) in height.
- Do not apply finish to areas that will receive sealant.

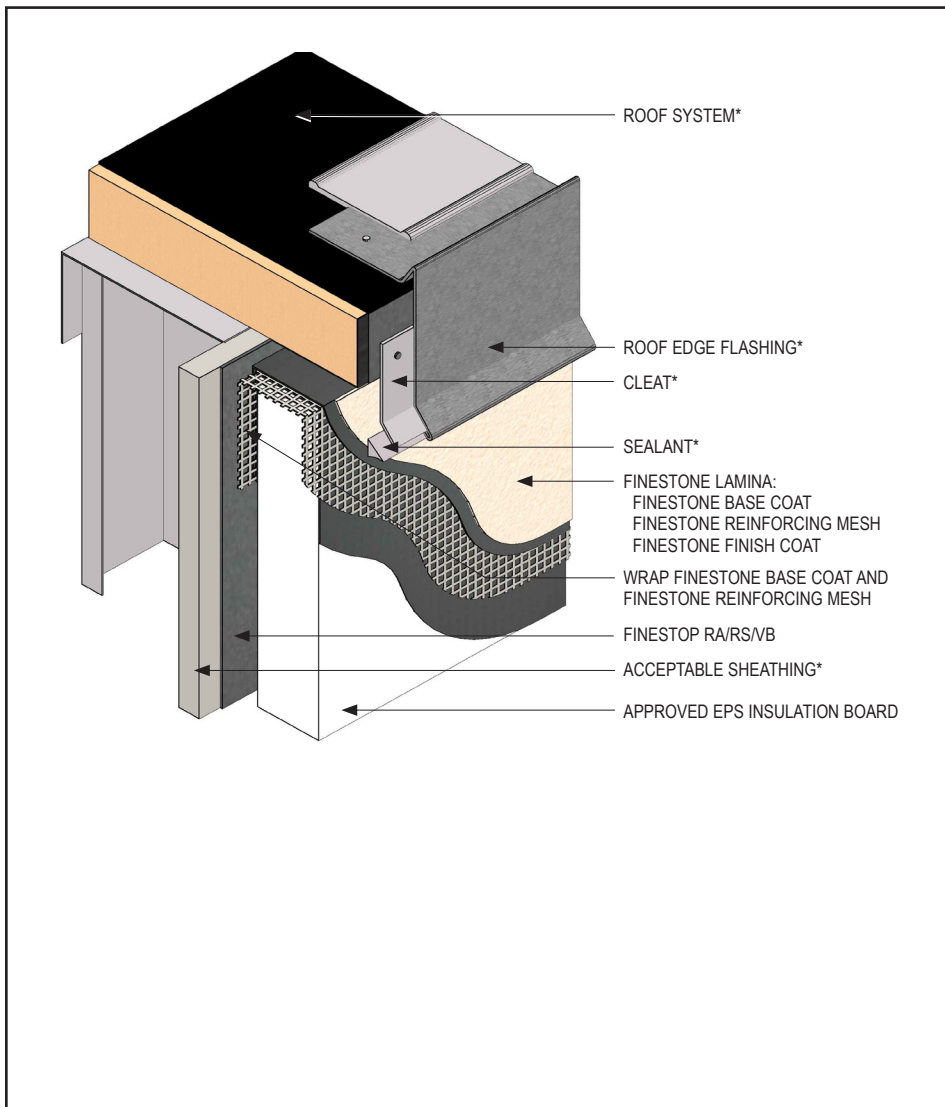
DCA-31 180503

(*NOTE: BY OTHERS)

This detail represents Master Builders Solutions Construction Systems US, LLC (hereinafter Master Builders Solutions) latest recommendations. It is presented in good faith by Master Builders Solutions. The detail is subject to change without notice. Master Builders Solutions accepts no liability for the end use of the detail. For conditions not shown, consult Master Builders Solutions for review of specific detail.

Pebbletex CI-DCA

TYPICAL ROOF EDGE FLASHING



- Install Master Builders Solutions materials in accordance with current installation instructions.
- Unsatisfactory conditions shall be reported to the General Contractor and corrected before the application of Master Builders Solutions products.
- Verify all materials are installed in accordance with current installation instructions.
- All terminations must be fully encapsulated with mesh reinforced base coat.
- Ensure that metal coping/flushing extends onto the system a minimum of 2" (50 mm) down the face.

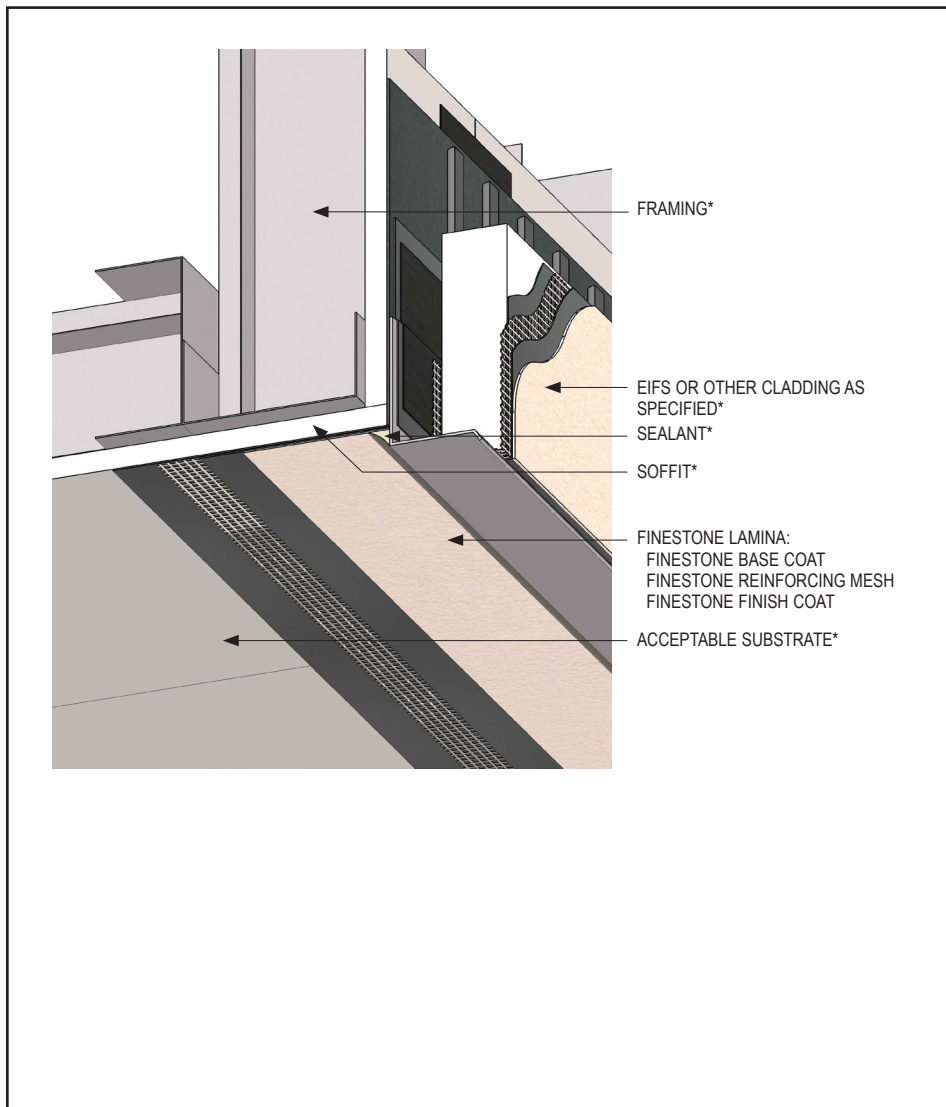
DCA-32 180503

(*NOTE: BY OTHERS)

This detail represents Master Builders Solutions Construction Systems US, LLC (hereinafter Master Builders Solutions) latest recommendations. It is presented in good faith by Master Builders Solutions. The detail is subject to change without notice. Master Builders Solutions accepts no liability for the end use of the detail. For conditions not shown, consult Master Builders Solutions for review of specific detail.

Pebbletex CI-DCA

TYPICAL APPLICATION AT SOFFIT / FASCIA



- Install Master Builders Solutions materials in accordance with current installation instructions.
- Unsatisfactory conditions shall be reported to the General Contractor and corrected before the application of Master Builders Solutions products.
- Verify all materials are installed in accordance with installation instructions and applicable code.
- Verify substrate is flat, free of fins or planar irregularities greater than 1/4" in 10".
- Install wall system first followed by lamina application at soffit.

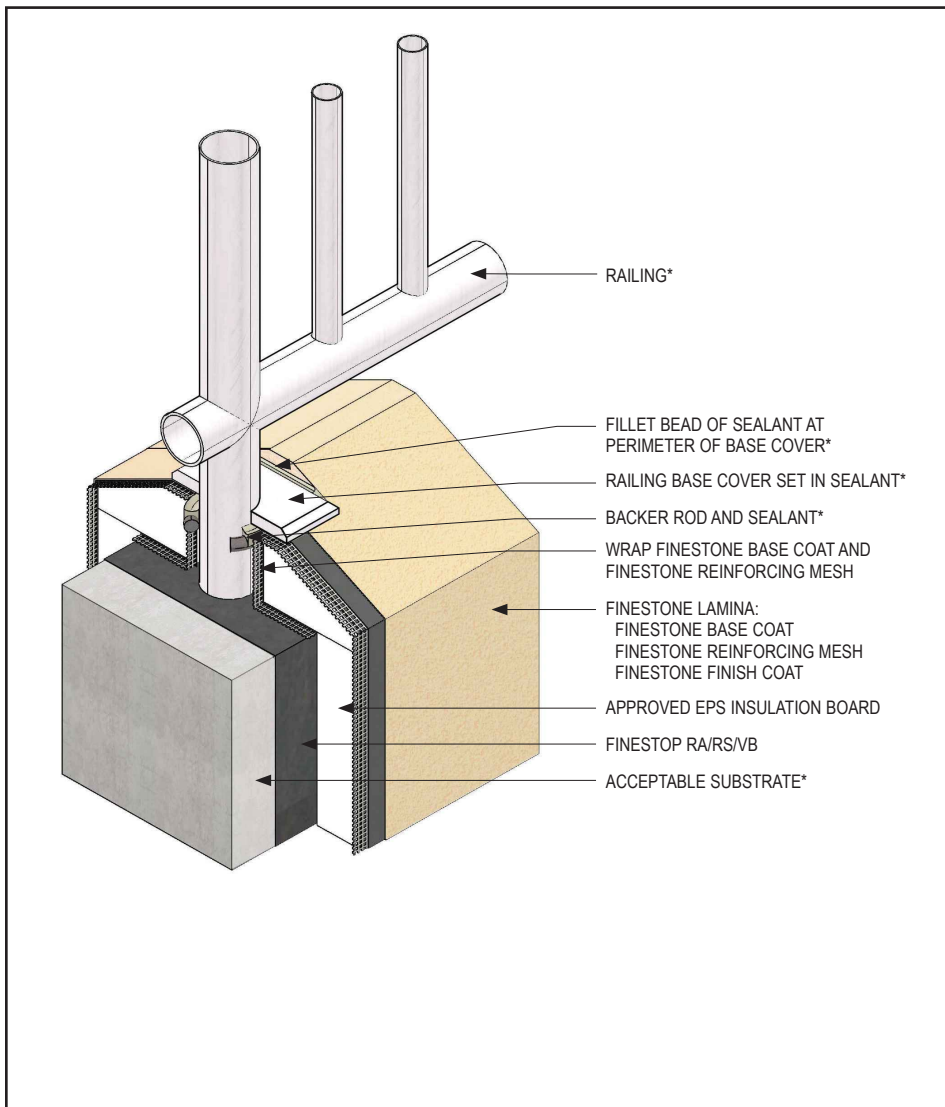
DCA-33 180503

(*NOTE: BY OTHERS)

This detail represents Master Builders Solutions Construction Systems US, LLC (hereinafter Master Builders Solutions) latest recommendations. It is presented in good faith by Master Builders Solutions. The detail is subject to change without notice. Master Builders Solutions accepts no liability for the end use of the detail. For conditions not shown, consult Master Builders Solutions for review of specific detail.

Pebbletex CI-DCA

TYPICAL CORE MOUNTED RAILING ATTACHMENT



- Install Master Builders Solutions materials in accordance with current installation instructions.
- Unsatisfactory conditions shall be reported to the General Contractor and corrected before the application of Master Builders Solutions products.
- Verify all materials are installed in accordance with current installation instructions.
- All terminations must be fully encapsulated with mesh reinforced base coat.
- Ensure all penetrations into the system are properly sealed.

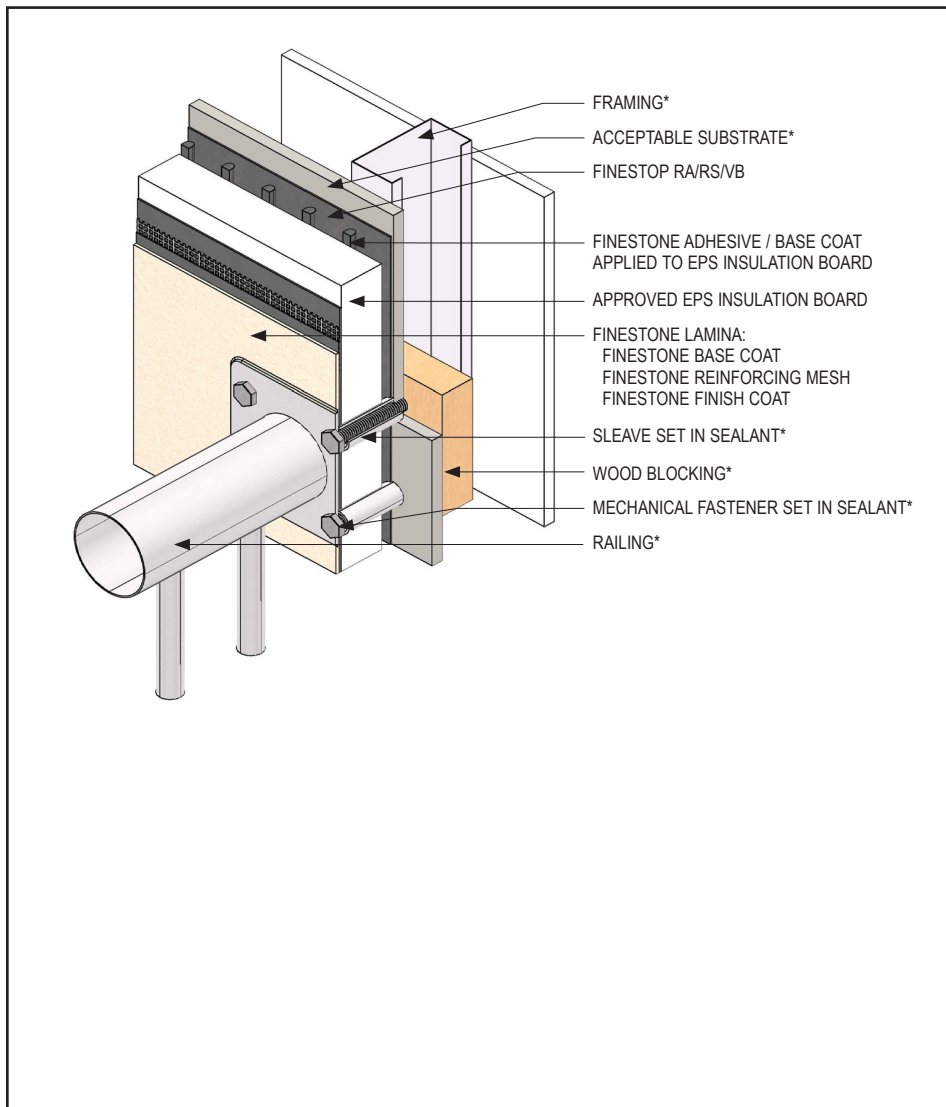
DCA-34 180503

(*NOTE: BY OTHERS)

This detail represents Master Builders Solutions Construction Systems US, LLC (hereinafter Master Builders Solutions) latest recommendations. It is presented in good faith by Master Builders Solutions. The detail is subject to change without notice. Master Builders Solutions accepts no liability for the end use of the detail. For conditions not shown, consult Master Builders Solutions for review of specific detail.

Pebbletex CI-DCA

TYPICAL RAILING ATTACHMENT



- Install Master Builders Solutions materials in accordance with current installation instructions.
- Unsatisfactory conditions shall be reported to the General Contractor and corrected before the application of Master Builders Solutions products.
- Verify all materials are installed in accordance with current installation instructions.
- All terminations must be fully encapsulated with mesh reinforced base coat.
- Ensure all penetrations into the system are properly sealed.

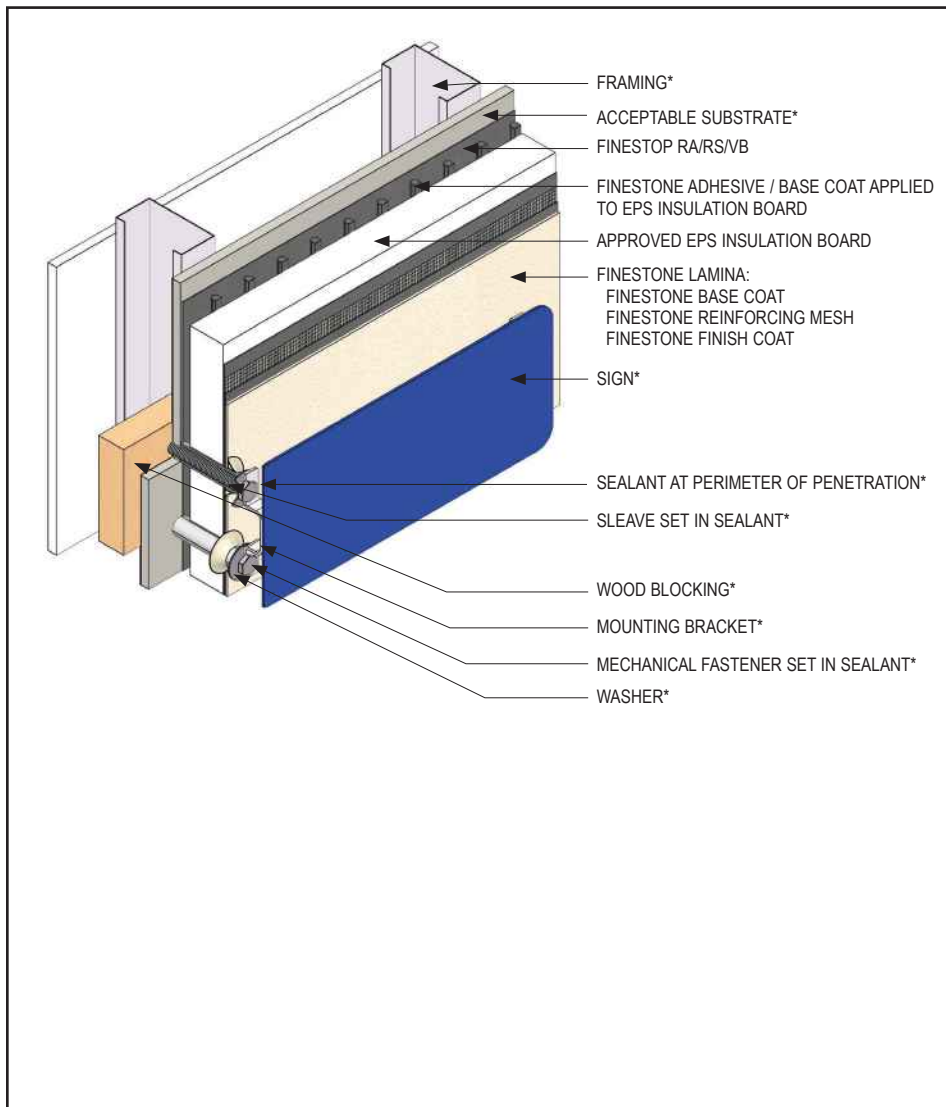
DCA-35 180503

(*NOTE: BY OTHERS)

This detail represents Master Builders Solutions Construction Systems US, LLC (hereinafter Master Builders Solutions) latest recommendations. It is presented in good faith by Master Builders Solutions. The detail is subject to change without notice. Master Builders Solutions accepts no liability for the end use of the detail. For conditions not shown, consult Master Builders Solutions for review of specific detail.

Pebbletex CI-DCA

TYPICAL SIGN ATTACHMENT



- Install Master Builders Solutions materials in accordance with current installation instructions.
- Unsatisfactory conditions shall be reported to the General Contractor and corrected before the application of Master Builders Solutions products.
- Verify all materials are installed in accordance with current installation instructions.
- All terminations must be fully encapsulated with mesh reinforced base coat.
- Ensure all penetrations into the system are properly sealed.
- Blocking or other structural support required for sign attachment.

DCA-36 180503

(*NOTE: BY OTHERS)

This detail represents Master Builders Solutions Construction Systems US, LLC (hereinafter Master Builders Solutions) latest recommendations. It is presented in good faith by Master Builders Solutions. The detail is subject to change without notice. Master Builders Solutions accepts no liability for the end use of the detail. For conditions not shown, consult Master Builders Solutions for review of specific detail.

Warranty

Master Builders Solutions Construction Systems US, LLC ("Master Builders") warrants this product to be free from manufacturing defects and to meet the technical properties on the current Technical Data Guide, if used as directed within shelf life. Satisfactory results depend not only on quality products but also upon many factors beyond our control. Master Builders MAKES NO OTHER WARRANTY OR GUARANTEE, EXPRESS OR IMPLIED, INCLUDING WARRANTIES OF MERCHANTABILITY OR FITNESS FOR A PARTICULAR PURPOSE WITH RESPECT TO ITS PRODUCTS. The sole and exclusive remedy of Purchaser for any claim concerning this product, including but not limited to, claims alleging breach of warranty, negligence, strict liability or otherwise, is shipment to purchaser of product equal to the amount of product that fails to meet this warranty or refund of the original purchase price of product that fails to meet this warranty, at the sole option of Master Builders. Any claims concerning this product must be received in writing within one (1) year from the date of shipment and any claims not presented within that period are waived by Purchaser. Master Builders WILL NOT BE RESPONSIBLE FOR ANY SPECIAL, INCIDENTAL, CONSEQUENTIAL (INCLUDING LOST PROFITS) OR PUNITIVE DAMAGES OF ANY KIND.

Purchaser must determine the suitability of the products for the intended use and assumes all risks and liabilities in connection therewith. This information and all further technical advice are based on Master Builders' present knowledge and experience. However, Master Builders assumes no liability for providing such information and advice including the extent to which such information and advice may relate to existing third party intellectual property rights, especially patent rights, nor shall any legal relationship be created by or arise from the provision of such information and advice. Master Builders reserves the right to make any changes according to technological progress or further developments. The Purchaser of the Product(s) must test the product(s) for suitability for the intended application and purpose before proceeding with a full application of the product(s). Performance of the product described herein should be verified by testing and carried out by qualified experts.

For professional use only. Not for sale to or use by the general public.

For the most current version of this literature, please visit our website at finestone.master-builders-solutions.com/en.

Master Builders Solutions Construction Systems US, LLC

889 Valley Park Drive, Shakopee, MN 55379
finestone.master-builders-solutions.com/en

Customer Service +1 (800) 433-9517
Technical Service +1 (800) 589-1336