

Senergy[®]

Senergy[®] Surfacing Systems for the tekR Panelized Wall System



 **BASF**

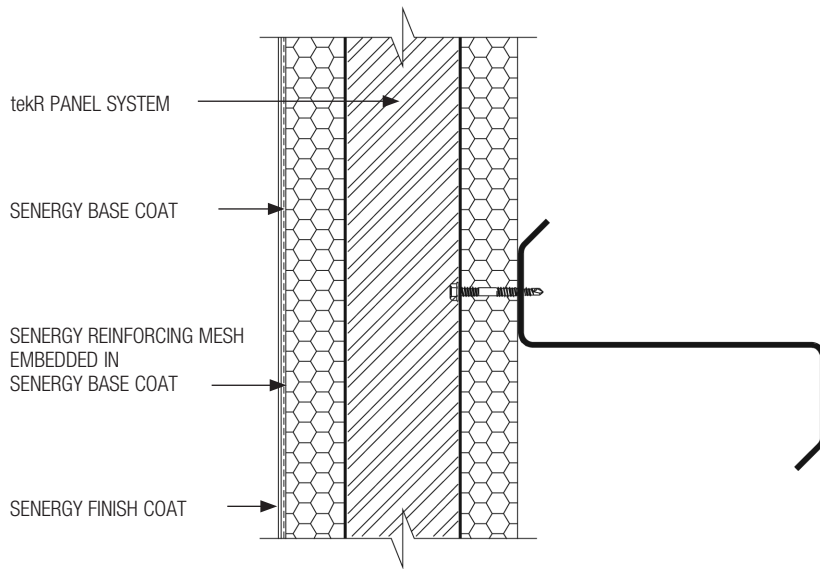
We create chemistry

(THIS PAGE INTENTIONALLY LEFT BLANK)

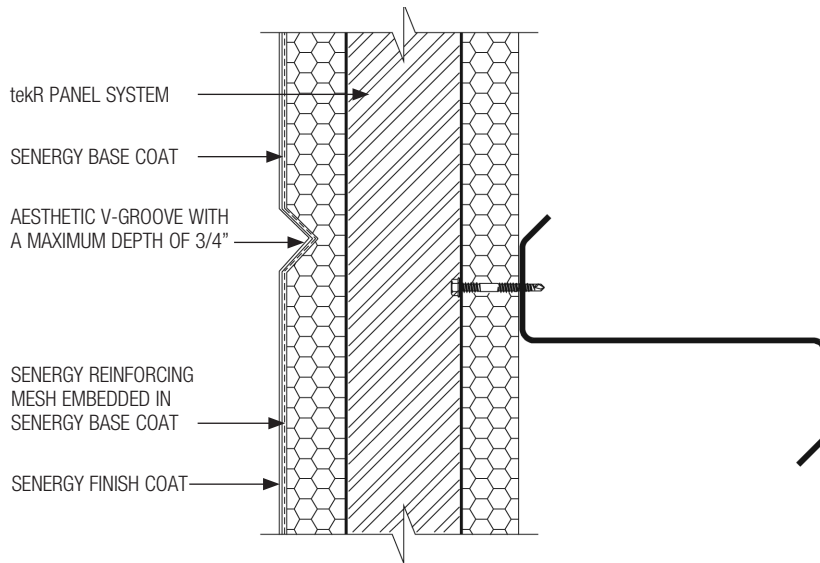
Senergy Surfacing Systems for the tekR Panelized Wall System

TABLE OF CONTENTS

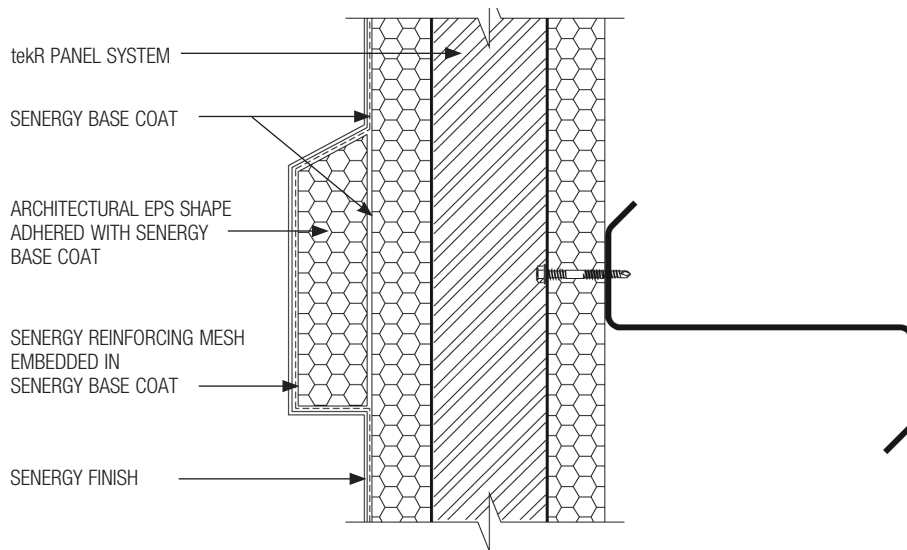
1. Senergy Surfacing System Application
2. Aesthetic Reveal
3. Architectural Shape Application
4. Stacked Panel Connection
5. Window Head/Jamb
6. Window Sill
7. Parapet Cap
8. Termination at Foundation
9. Termination at Brick Veneer
10. Pipe Penetration
11. Corner Application
12. Eave
13. Gable



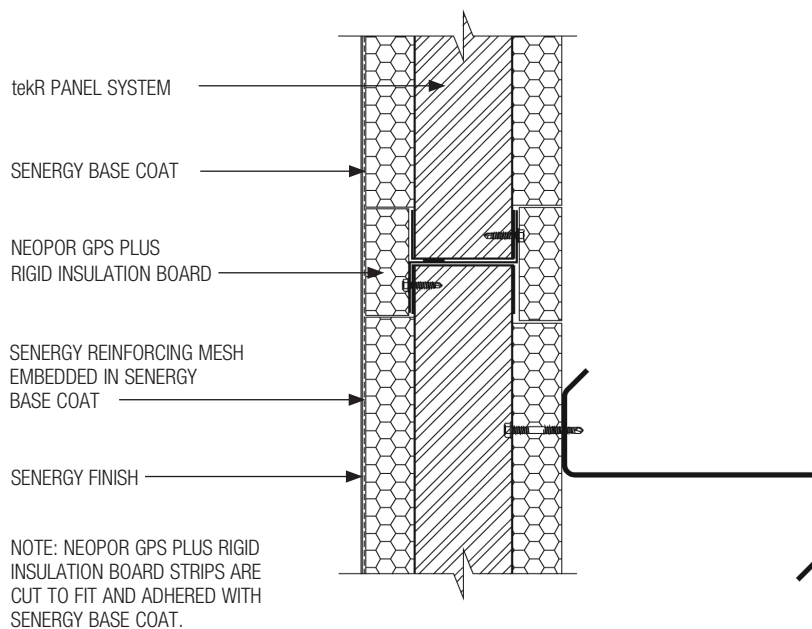
tekR-01 TYPICAL SENERGY SURFACING SYSTEM APPLICATION



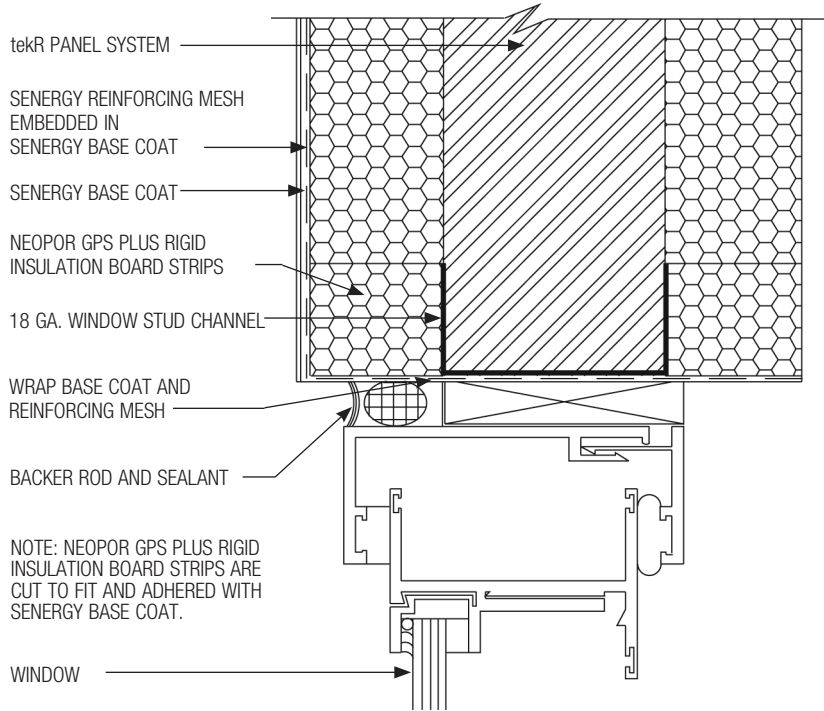
tekR-02 TYPICAL AESTHETIC REVEAL DETAIL



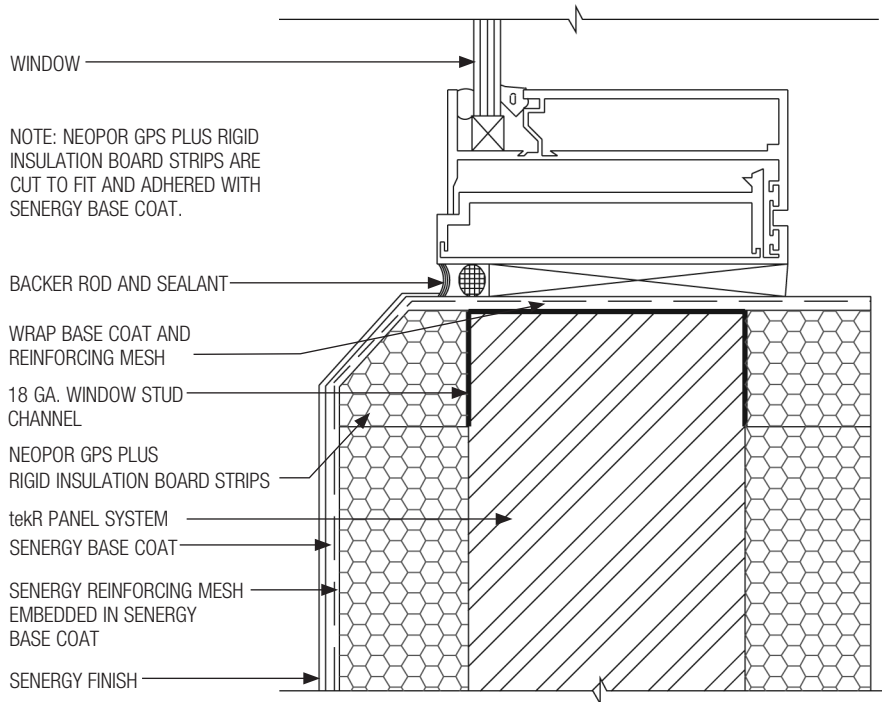
tekR-03 TYPICAL ARCHITECTURAL SHAPE APPLICATION



tekR-04 TYPICAL STACKED PANEL CONNECTION DETAIL



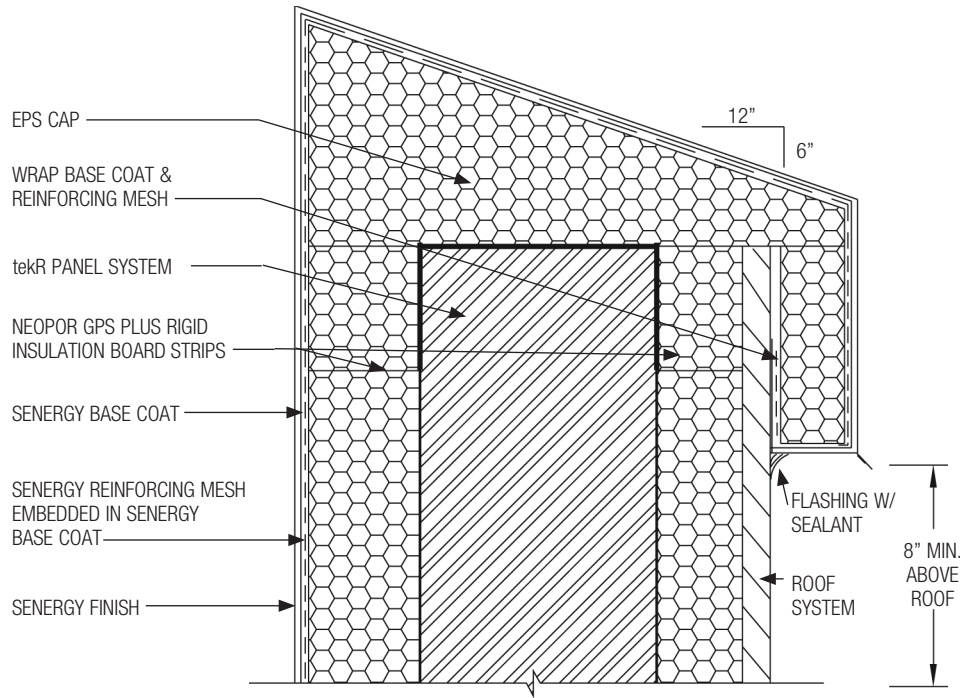
tekR-05 TYPICAL tekR PANEL SYSTEM WINDOW HEAD/JAMB DETAIL



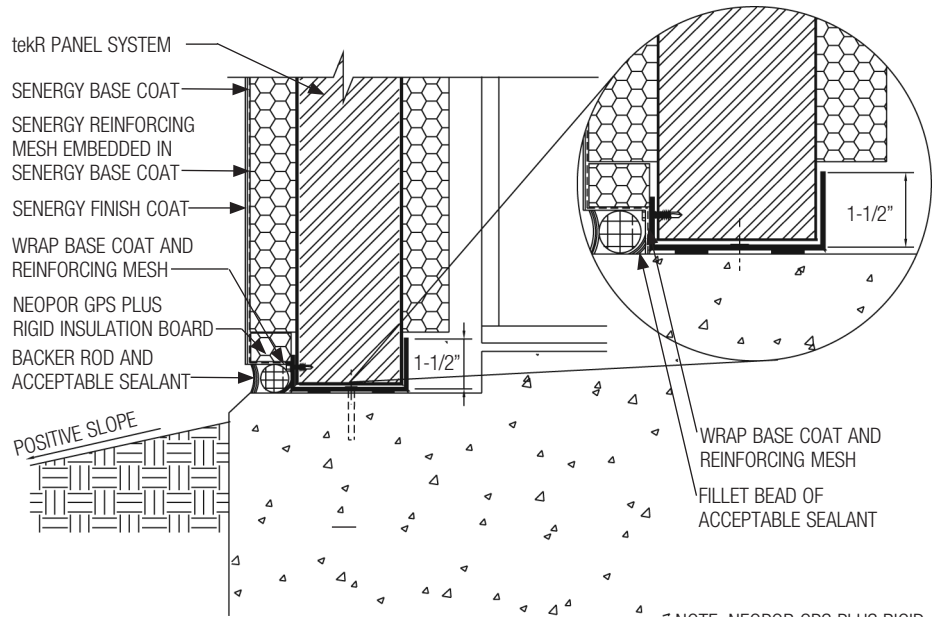
tekR-06 TYPICAL WINDOW SILL DETAIL

NOTES:

1. FLASHINGS ARE BY OTHERS AND SHALL BE AS PER DESIGN/CODE REQUIREMENTS
2. NEOPOR GPS PLUS RIGID INSULATION BOARD STRIPS ARE CUT TO FIT AND ADHERED WITH SENERGY BASE COAT.

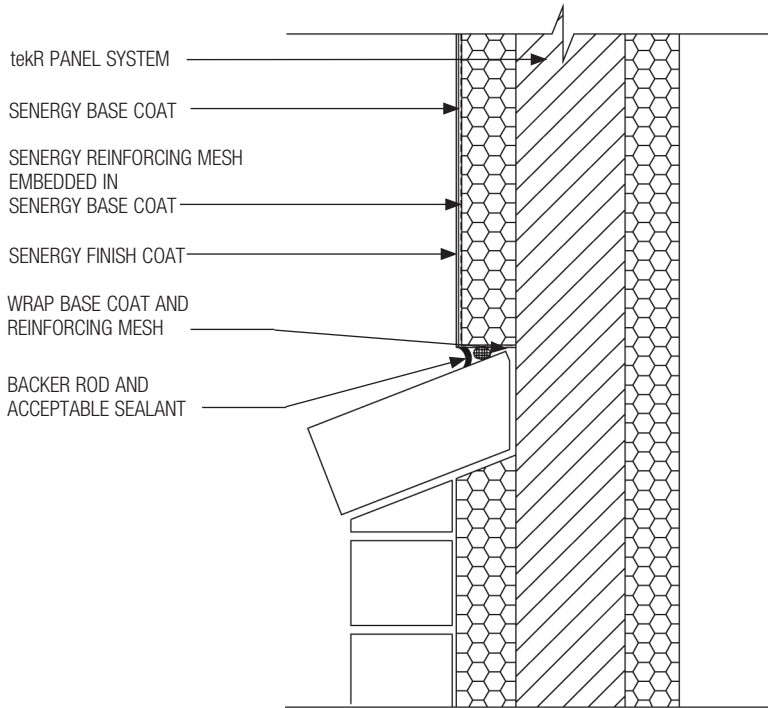


tekR-07 TYPICAL PARAPET CAP DETAIL

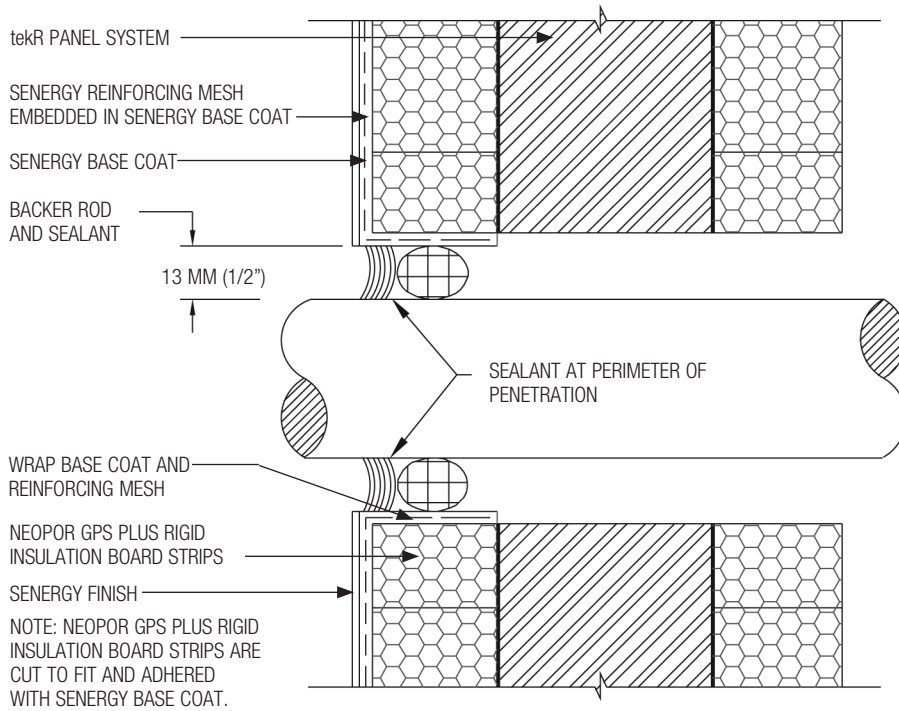


NOTE: NEOPOR GPS PLUS RIGID INSULATION BOARD STRIPS ARE CUT TO FIT AND ADHERED WITH SENERGY BASE COAT.

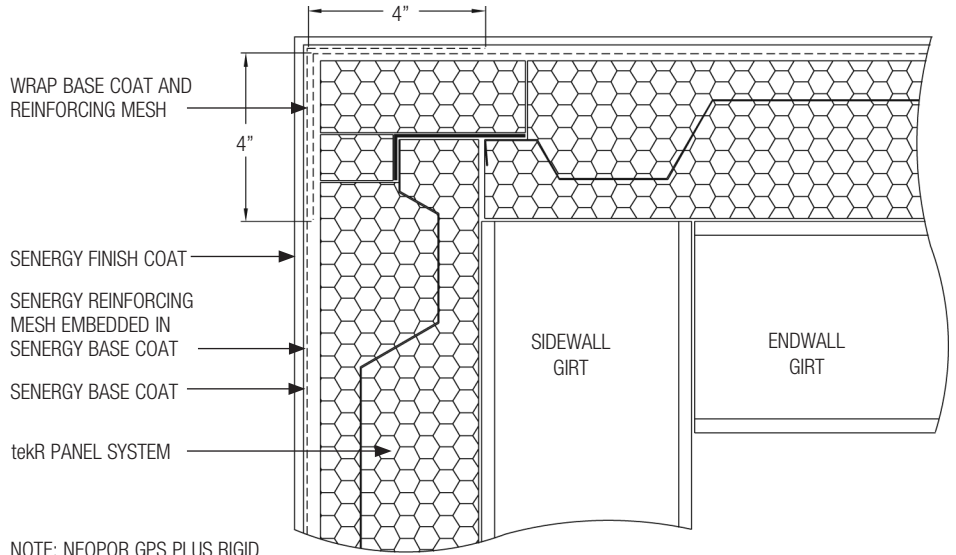
tekR-07 TYPICAL TERMINATION AT FOUNDATION



tekR-09 TYPICAL TERMINATION AT BRICK VENEER

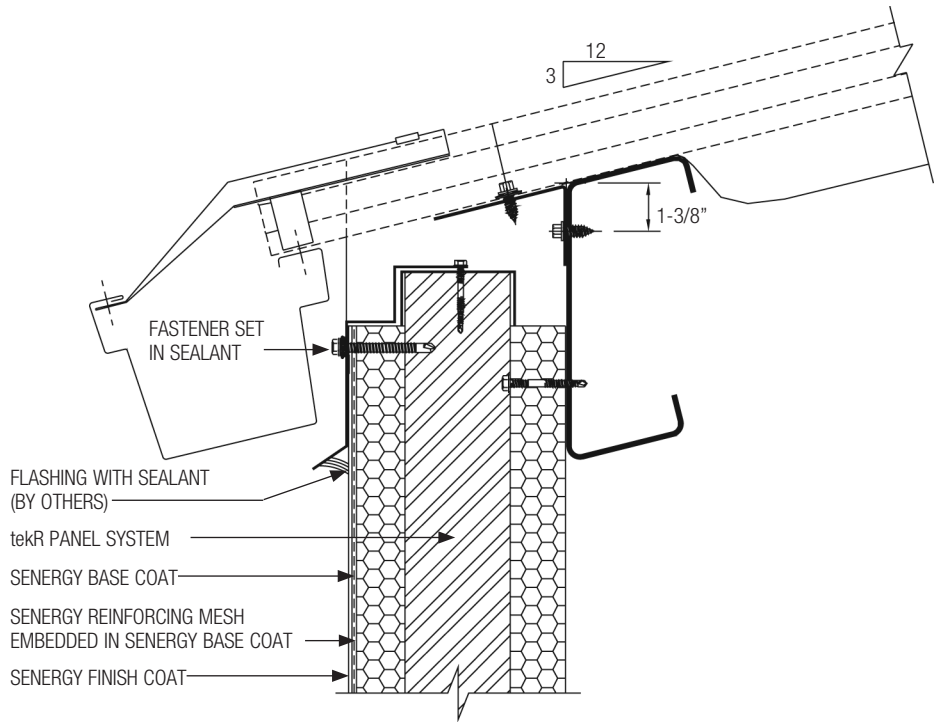


tekR-10 TYPICAL PIPE PENETRATION

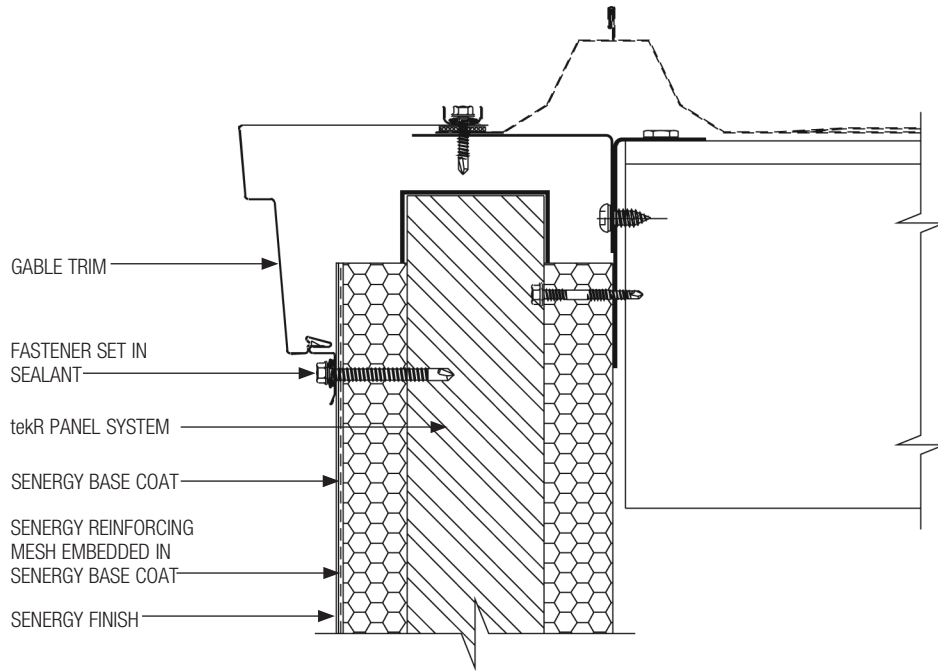


NOTE: NEOPOR GPS PLUS RIGID INSULATION BOARD STRIPS ARE CUT TO FIT AND ADHERED WITH SENERGY BASE COAT.

tekR-11 TYPICAL CORNER APPLICATION



tekR-12 TYPICAL EAVE DETAIL



tekR-13 TYPICAL GABLE DETAIL

NOTES

Senergy® Surfacing Systems for the tekR Panelized Building System

Warranty

BASF warrants this product to be free from manufacturing defects and to meet the technical properties on the current Product Bulletin, if used as directed within shelf life. Satisfactory results depend not only on quality products but also upon many factors beyond our control. BASF MAKES NO OTHER WARRANTY OR GUARANTEE, EXPRESS OR IMPLIED, INCLUDING WARRANTIES OF MERCHANTABILITY OR FITNESS FOR A PARTICULAR PURPOSE WITH RESPECT TO ITS PRODUCTS. The sole and exclusive remedy of Purchaser for any claim concerning this product, including but not limited to, claims alleging breach of warranty, negligence, strict liability or otherwise, is shipment to purchaser of product equal to the amount of product that fails to meet this warranty or refund of the original purchase price of product that fails to meet this warranty, at the sole option of BASF. In the absence of an extended warranty issued by BASF, any claims concerning this product must be received in writing within one (1) year from the date of shipment and any claims not presented within that period are waived by Purchaser. BASF WILL NOT BE RESPONSIBLE FOR ANY SPECIAL, INCIDENTAL, CONSEQUENTIAL (INCLUDING LOST PROFITS) OR PUNITIVE DAMAGES OF ANY KIND.

Purchaser must determine the suitability of the products for the intended use and assumes all risks and liabilities in connection therewith. This information and all further technical advice are based on BASF's present knowledge and experience. However, BASF assumes no liability for providing such information and advice including the extent to which such information and advice may relate to existing third party intellectual property rights, especially patent rights, nor shall any legal relationship be created by or arise from the provision of such information and advice. BASF reserves the right to make any changes according to technological progress or further developments. The Purchaser of the Product(s) must test the product(s) for suitability for the intended application and purpose before proceeding with a full application of the product(s). Performance of the product described herein should be verified by testing and carried out by qualified experts.

For the most current version of this literature, please visit our website at www.senergy.basf.com.

BASF Corporation - Wall Systems 3550 St Johns Bluff Rd South Jacksonville, Florida 32224 P: 800.221.9255 F: 904.996.6300 www.senergy.basf.com

© 2017 BASF Corporation rev 170524