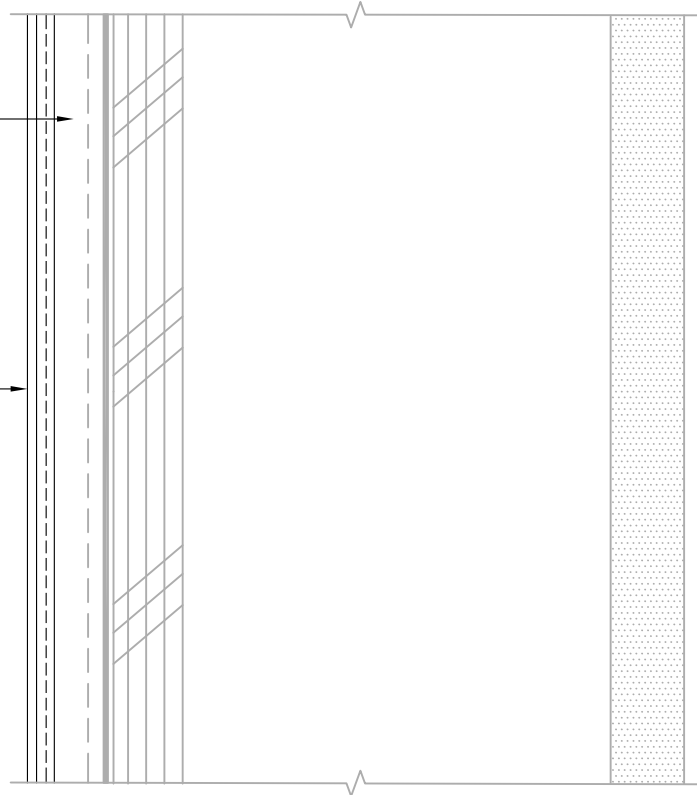


EXISTING STUCCO SYSTEM

FINESTONE LAMINA:  
FINESTONE BASE COAT  
FINESTONE REINFORCING MESH  
OR BASF DIAMONDSHIELD  
FINESTONE FINISH COAT



REFERENCE reFINE STUCCO PROCEDURES AND RESURFACING SPECIFICATION FOR FURTHER INFORMATION

## TYPICAL LAMINA APPLICATION

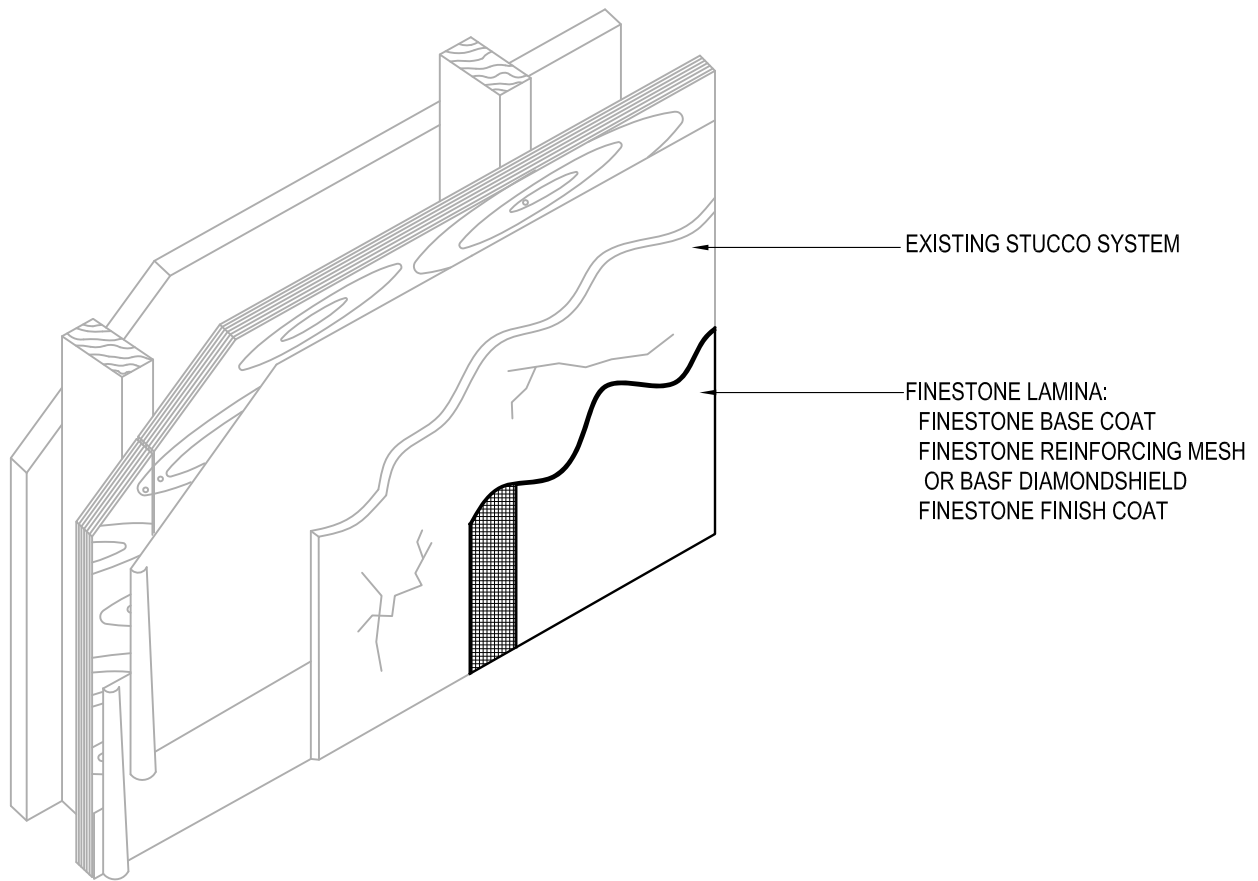
### FINESTONE STUCCO RESURFACING SYSTEM

SCALE: NTS

01

Structure, substrates, flashing, and other items which are not part of the BASF FINESTONE *Stucco Resurfacing System* are the responsibility of others. This detail is subject to change without notice. BASF Corporation - Wall Systems (herein after BASF Wall Systems) accepts no liability for the end use of this detail. For conditions not shown, consult BASF Wall Systems for review of specific detail.

  
We create chemistry



REFERENCE reFINE STUCCO PROCEDURES AND RESURFACING SPECIFICATION FOR FURTHER INFORMATION

## TYPICAL ISOMETRIC VIEW

## FINESTONE STUCCO RESURFACING SYSTEM

SCALE: NTS

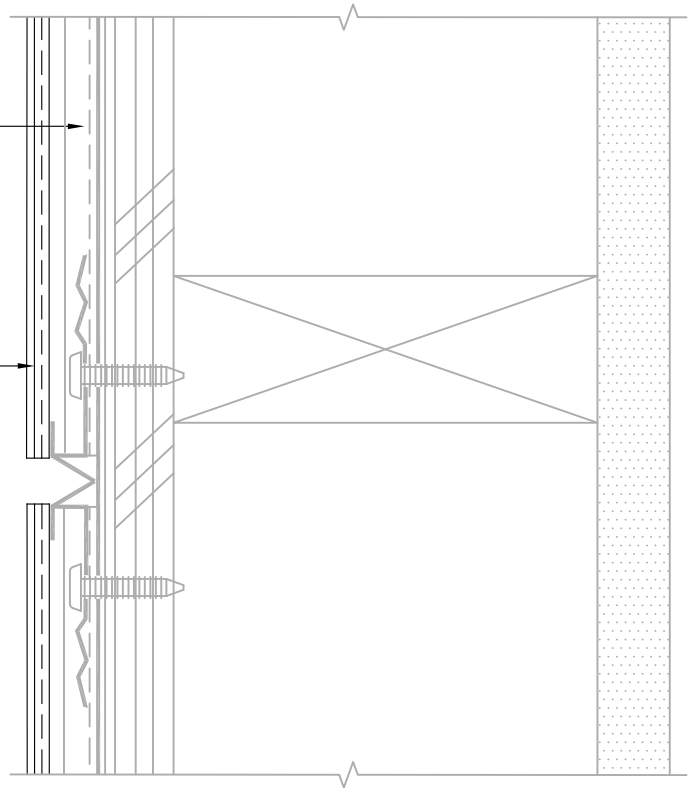
02

Structure, substrates, flashing, and other items which are not part of the BASF FINESTONE *Stucco Resurfacing System* are the responsibility of others. This detail is subject to change without notice. BASF Corporation - Wall Systems (herein after BASF Wall Systems) accepts no liability for the end use of this detail. For conditions not shown, consult BASF Wall Systems for review of specific detail.

**BASF**  
 We create chemistry

EXISTING STUCCO SYSTEM

FINESTONE LAMINA:  
FINESTONE BASE COAT  
FINESTONE REINFORCING MESH  
OR BASF DIAMONDSHIELD  
FINESTONE FINISH COAT



REFERENCE reFINE STUCCO PROCEDURES AND RESURFACING SPECIFICATION FOR FURTHER INFORMATION

## TYPICAL SURFACE CONTROL JOINT FINESTONE STUCCO RESURFACING SYSTEM

SCALE: NTS

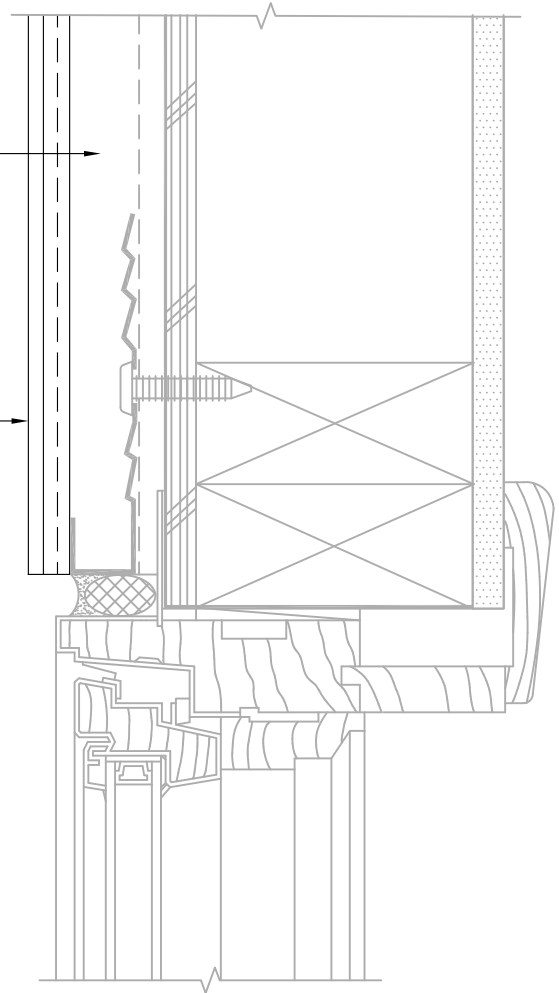
03

Structure, substrates, flashing, and other items which are not part of the BASF FINESTONE *Stucco Resurfacing System* are the responsibility of others. This detail is subject to change without notice. BASF Corporation - Wall Systems (herein after BASF Wall Systems) accepts no liability for the end use of this detail. For conditions not shown, consult BASF Wall Systems for review of specific detail.

  
We create chemistry

EXISTING STUCCO SYSTEM

FINESTONE LAMINA:  
FINESTONE BASE COAT  
FINESTONE REINFORCING MESH  
OR BASF DIAMONDSHIELD  
FINESTONE FINISH COAT



(PLAN VIEW)

REFERENCE reFINE STUCCO PROCEDURES AND RESURFACING SPECIFICATION FOR FURTHER INFORMATION

## TYPICAL CLAD WINDOW JAMB

### FINESTONE STUCCO RESURFACING SYSTEM

SCALE: NTS

04

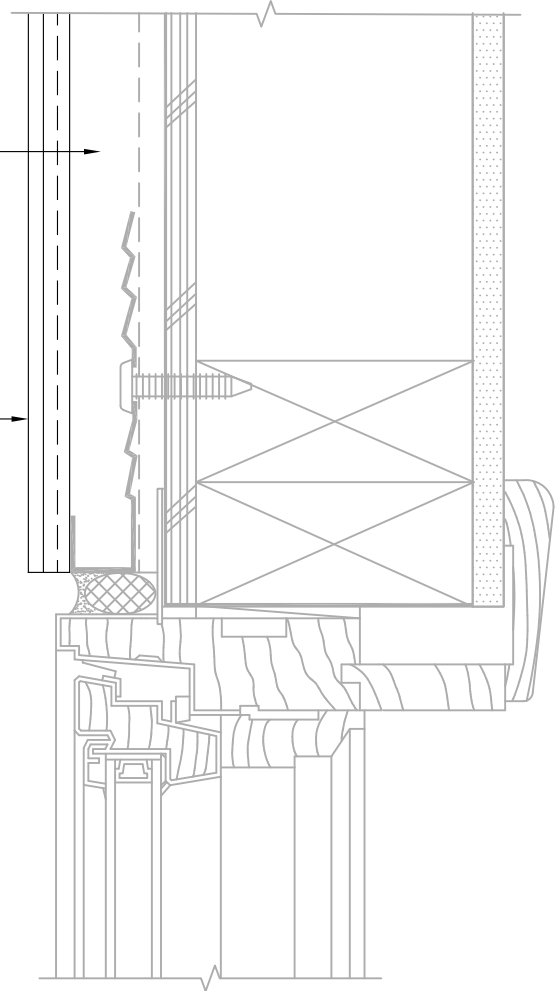
Structure, substrates, flashing, and other items which are not part of the BASF FINESTONE *Stucco Resurfacing System* are the responsibility of others. This detail is subject to change without notice. BASF Corporation - Wall Systems (herein after BASF Wall Systems) accepts no liability for the end use of this detail. For conditions not shown, consult BASF Wall Systems for review of specific detail.

**BASF**  
We create chemistry

EXISTING STUCCO SYSTEM

FINESTONE LAMINA:  
FINESTONE BASE COAT  
FINESTONE REINFORCING MESH  
OR BASF DIAMONDSHIELD  
FINESTONE FINISH COAT

NOTE: IF SEALANT IS REMOVED PRIOR TO  
FINESTONE LAMINA APPLICATION, APPLY  
BASECOAT INTO THE JOINT. USE  
MASTERSEAL NP1 / NP2 / NP100 OR NP150  
W/ MASTERSEAL P173 PRIMER\*



(PLAN VIEW)

\*BY OTHERS

REFERENCE reFINE STUCCO PROCEDURES AND RESURFACING SPECIFICATION FOR FURTHER INFORMATION

## TYPICAL CLAD WINDOW JAMB

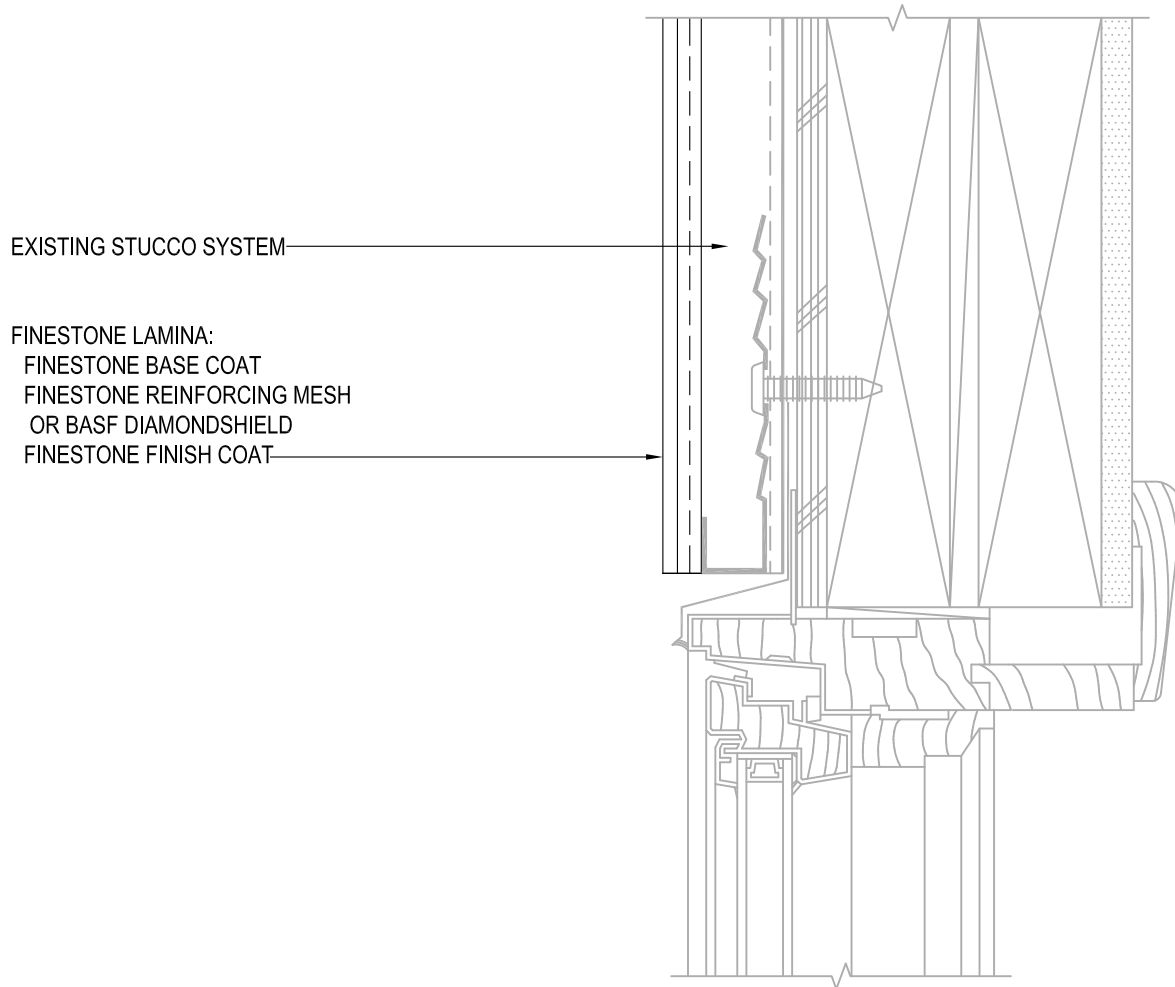
### FINESTONE STUCCO RESURFACING SYSTEM

SCALE: NTS

04

Structure, substrates, flashing, and other items which are not part of the BASF Finestone Stucco Resurfacing System are the responsibility of others. This detail is subject to change without notice. BASF Corporation - Wall Systems (herein after BASF Wall Systems) accepts no liability for the end use of this detail. For conditions not shown, consult BASF Wall Systems for review of specific detail.

**BASF**  
We create chemistry



REFERENCE reFINE STUCCO PROCEDURES AND RESURFACING SPECIFICATION FOR FURTHER INFORMATION

## TYPICAL CLAD WINDOW HEAD FINESTONE STUCCO RESURFACING SYSTEM

SCALE: NTS

05

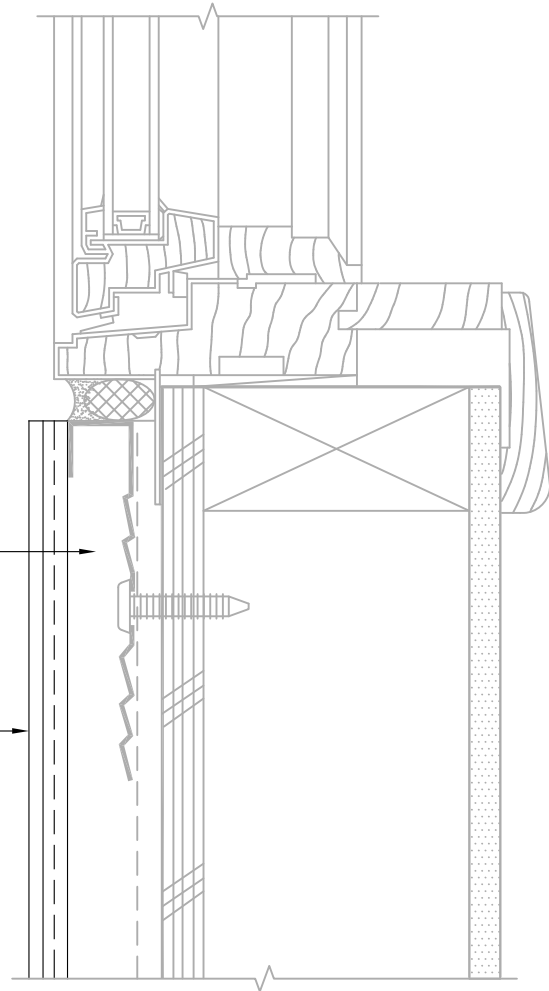
Structure, substrates, flashing, and other items which are not part of the BASF FINESTONE *Stucco Resurfacing System* are the responsibility of others. This detail is subject to change without notice. BASF Corporation - Wall Systems (herein after BASF Wall Systems) accepts no liability for the end use of this detail. For conditions not shown, consult BASF Wall Systems for review of specific detail.

■ • BASF

We create chemistry

EXISTING STUCCO SYSTEM

FINESTONE LAMINA:  
FINESTONE BASE COAT  
FINESTONE REINFORCING MESH  
OR BASF DIAMONDSHIELD  
FINESTONE FINISH COAT



REFERENCE reFINE STUCCO PROCEDURES AND RESURFACING SPECIFICATION FOR FURTHER INFORMATION

## TYPICAL CLAD WINDOW SILL

### FINESTONE STUCCO RESURFACING SYSTEM

SCALE: NTS

06

Structure, substrates, flashing, and other items which are not part of the BASF FINESTONE *Stucco Resurfacing System* are the responsibility of others. This detail is subject to change without notice. BASF Corporation - Wall Systems (herein after BASF Wall Systems) accepts no liability for the end use of this detail. For conditions not shown, consult BASF Wall Systems for review of specific detail.

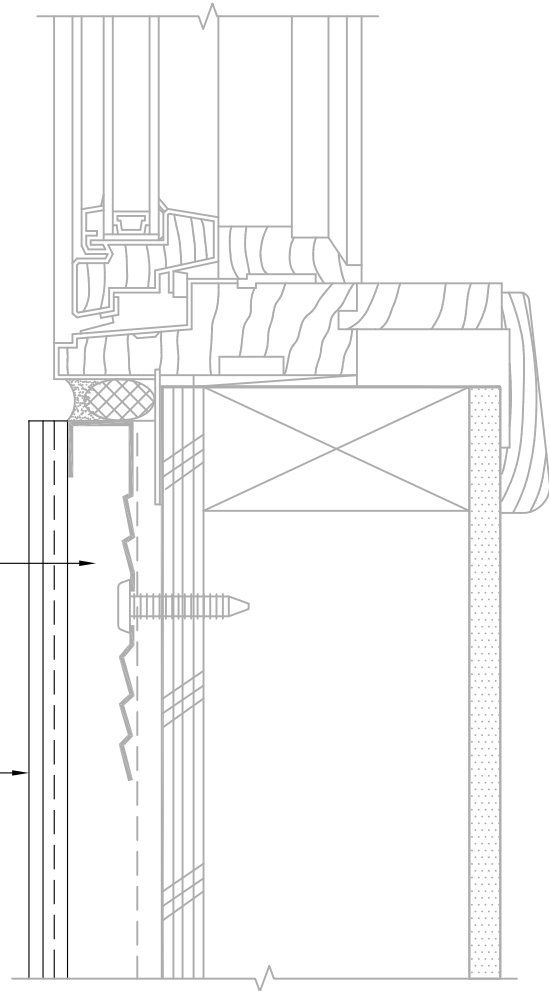
  
We create chemistry

**NOTE: IF SEALANT IS REMOVED PRIOR TO  
FINESTONE LAMINA APPLICATION, APPLY  
BASECOAT INTO THE JOINT. USE  
MASTERSEAL NP1 / NP2 / NP100 / OR NP150  
W/ MASTERSEAL P173 PRIMER\***

EXISTING STUCCO SYSTEM

FINESTONE LAMINA:

FINESTONE BASE COAT  
FINESTONE REINFORCING MESH  
OR BASF DIAMONDSHIELD  
FINESTONE FINISH COAT



\*BY OTHERS

REFERENCE reFINE STUCCO PROCEDURES AND RESURFACING SPECIFICATION FOR FURTHER INFORMATION

## TYPICAL CLAD WINDOW SILL

### FINESTONE STUCCO RESURFACING SYSTEM

SCALE: NTS

**06**

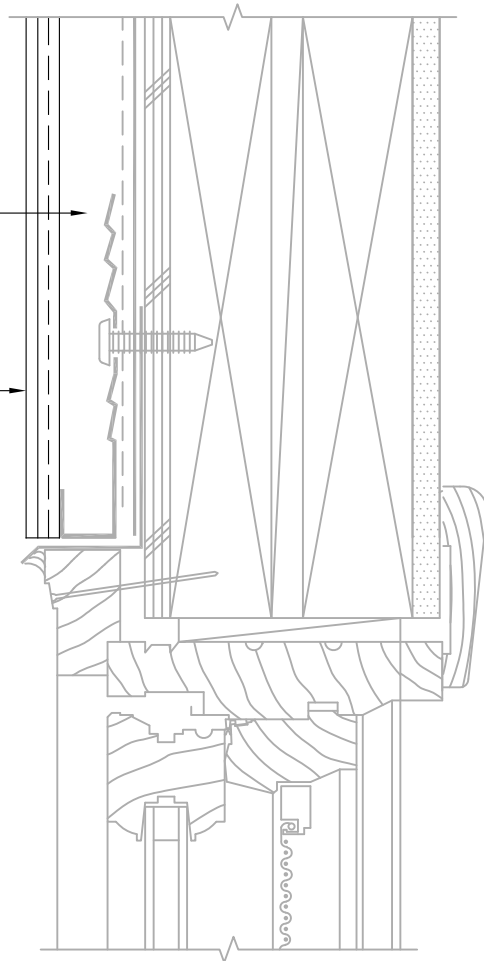
Structure, substrates, flashing, and other items which are not part of the BASF FINESTONE *Stucco Resurfacing System* are the responsibility of others. This detail is subject to change without notice. BASF Corporation - Wall Systems (herein after BASF Wall Systems) accepts no liability for the end use of this detail. For conditions not shown, consult BASF Wall Systems for review of specific detail.

**BASF**  
We create chemistry



EXISTING STUCCO SYSTEM

FINESTONE LAMINA:  
FINESTONE BASE COAT  
FINESTONE REINFORCING MESH  
OR BASF DIAMONDSHIELD  
FINESTONE FINISH COAT



REFERENCE reFINE STUCCO PROCEDURES AND RESURFACING SPECIFICATION FOR FURTHER INFORMATION

## TYPICAL PRIMED WINDOW HEAD FINESTONE STUCCO RESURFACING SYSTEM

SCALE: NTS

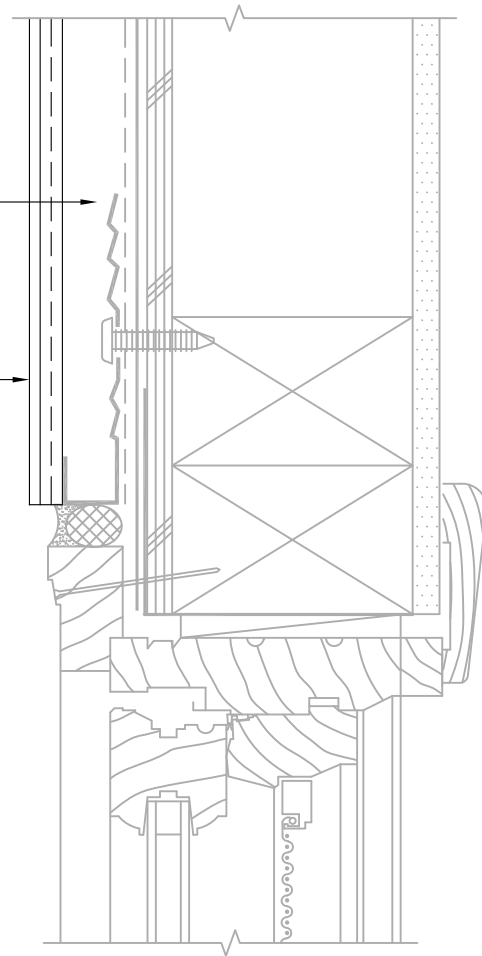
07

Structure, substrates, flashing, and other items which are not part of the BASF FINESTONE *Stucco Resurfacing System* are the responsibility of others. This detail is subject to change without notice. BASF Corporation - Wall Systems (herein after BASF Wall Systems) accepts no liability for the end use of this detail. For conditions not shown, consult BASF Wall Systems for review of specific detail.

  
We create chemistry

EXISTING STUCCO SYSTEM

FINESTONE LAMINA:  
FINESTONE BASE COAT  
FINESTONE REINFORCING MESH  
OR BASF DIAMONSHIELD  
FINESTONE FINISH COAT



REFERENCE reFINE STUCCO PROCEDURES AND RESURFACING SPECIFICATION FOR FURTHER INFORMATION

## TYPICAL PRIMED WINDOW JAMB FINESTONE STUCCO RESURFACING SYSTEM

SCALE: NTS

08

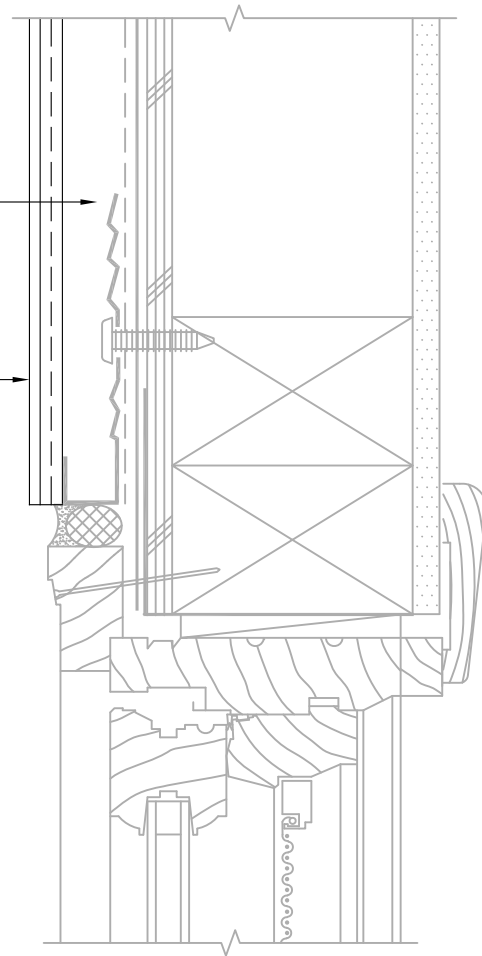
Structure, substrates, flashing, and other items which are not part of the BASF FINESTONE *Stucco Resurfacing System* are the responsibility of others. This detail is subject to change without notice. BASF Corporation - Wall Systems (herein after BASF Wall Systems) accepts no liability for the end use of this detail. For conditions not shown, consult BASF Wall Systems for review of specific detail.

  
We create chemistry

EXISTING STUCCO SYSTEM

FINESTONE LAMINA:  
FINESTONE BASE COAT  
FINESTONE REINFORCING MESH  
OR BASF DIAMONSHIELD  
FINESTONE FINISH COAT

NOTE: IF SEALANT IS REMOVED PRIOR TO  
FINESTONE LAMINA APPLICATION, APPLY  
BASECOAT INTO THE JOINT. USE  
MASTERSEAL NP1 / NP2 / NP100 / OR NP150  
W/ MASTERSEAL P173 PRIMER\*



\*BY OTHERS

REFERENCE reFINE STUCCO PROCEDURES AND RESURFACING SPECIFICATION FOR FURTHER INFORMATION

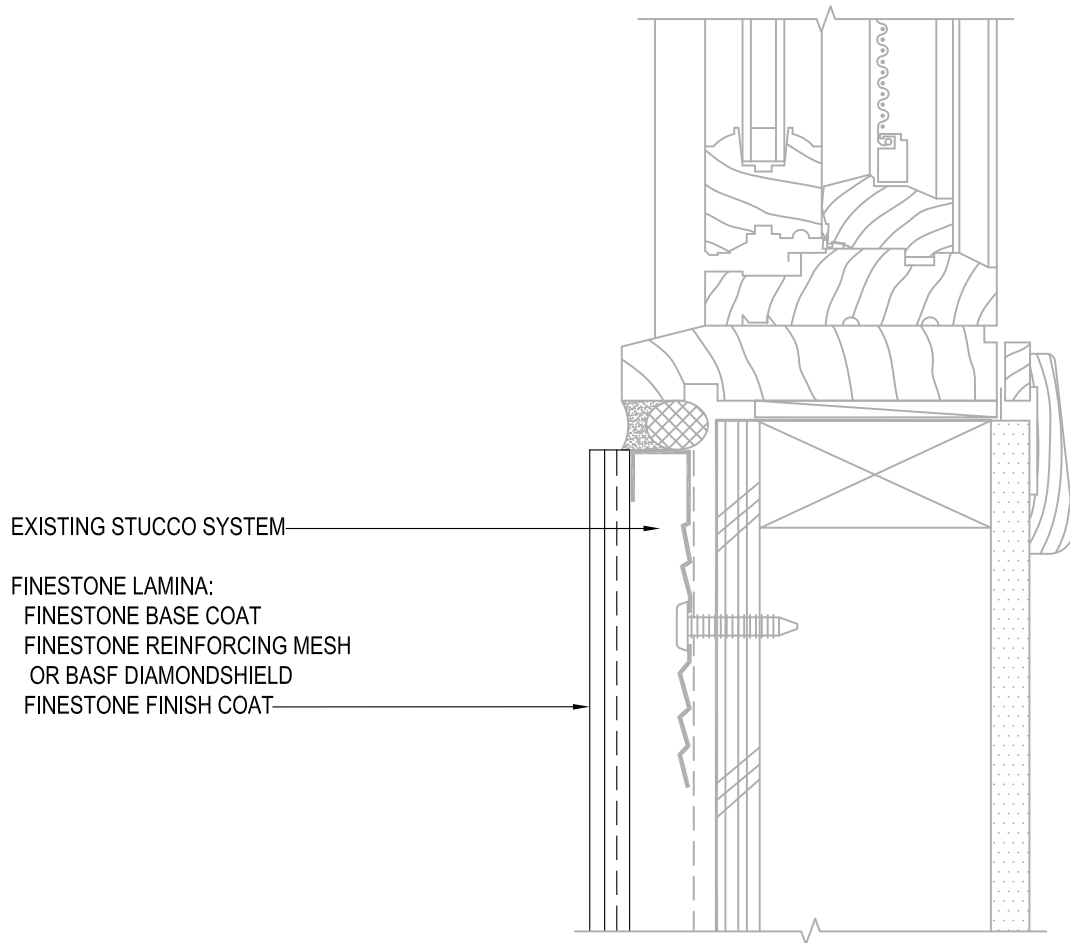
## TYPICAL PRIMED WINDOW JAMB FINESTONE STUCCO RESURFACING SYSTEM

SCALE: NTS

08

Structure, substrates, flashing, and other items which are not part of the BASF FINESTONE *Stucco Resurfacing System* are the responsibility of others. This detail is subject to change without notice. BASF Corporation - Wall Systems (herein after BASF Wall Systems) accepts no liability for the end use of this detail. For conditions not shown, consult BASF Wall Systems for review of specific detail.

  
We create chemistry



REFERENCE reFINE STUCCO PROCEDURES AND RESURFACING SPECIFICATION FOR FURTHER INFORMATION

## TYPICAL PRIMED WINDOW SILL FINESTONE STUCCO RESURFACING SYSTEM

SCALE: NTS

09

Structure, substrates, flashing, and other items which are not part of the BASF FINESTONE *Stucco Resurfacing System* are the responsibility of others. This detail is subject to change without notice. BASF Corporation - Wall Systems (herein after BASF Wall Systems) accepts no liability for the end use of this detail. For conditions not shown, consult BASF Wall Systems for review of specific detail.

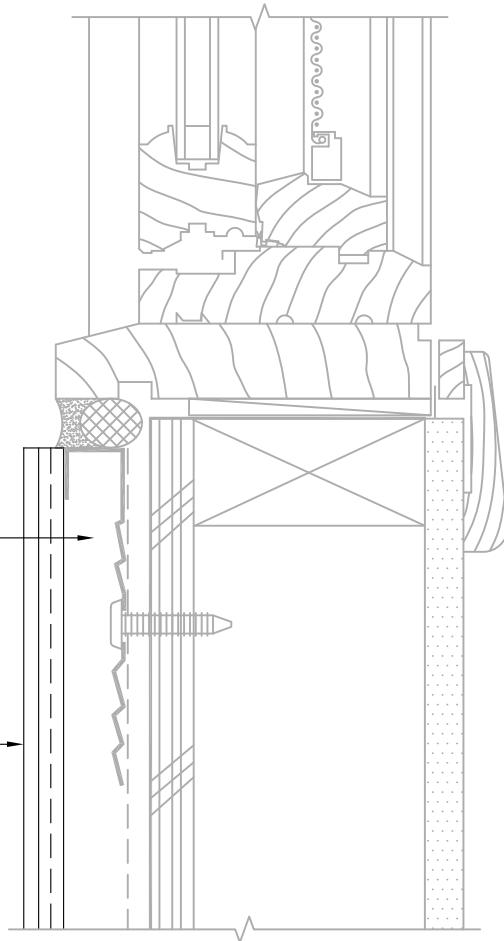
■ BASF

We create chemistry

**NOTE: IF SEALANT IS REMOVED PRIOR TO  
FINESTONE LAMINA APPLICATION, APPLY  
BASECOAT INTO THE JOINT. USE  
MASTERSEAL NP1 / NP2 / NP100 / OR NP150  
W/ MASTERSEAL P173 PRIMER\***

EXISTING STUCCO SYSTEM

FINESTONE LAMINA:  
FINESTONE BASE COAT  
FINESTONE REINFORCING MESH  
OR BASF DIAMONDSHIELD  
FINESTONE FINISH COAT



\*BY OTHERS

REFERENCE reFINE STUCCO PROCEDURES AND RESURFACING SPECIFICATION FOR FURTHER INFORMATION

## TYPICAL PRIMED WINDOW SILL FINESTONE STUCCO RESURFACING SYSTEM

SCALE: NTS

09

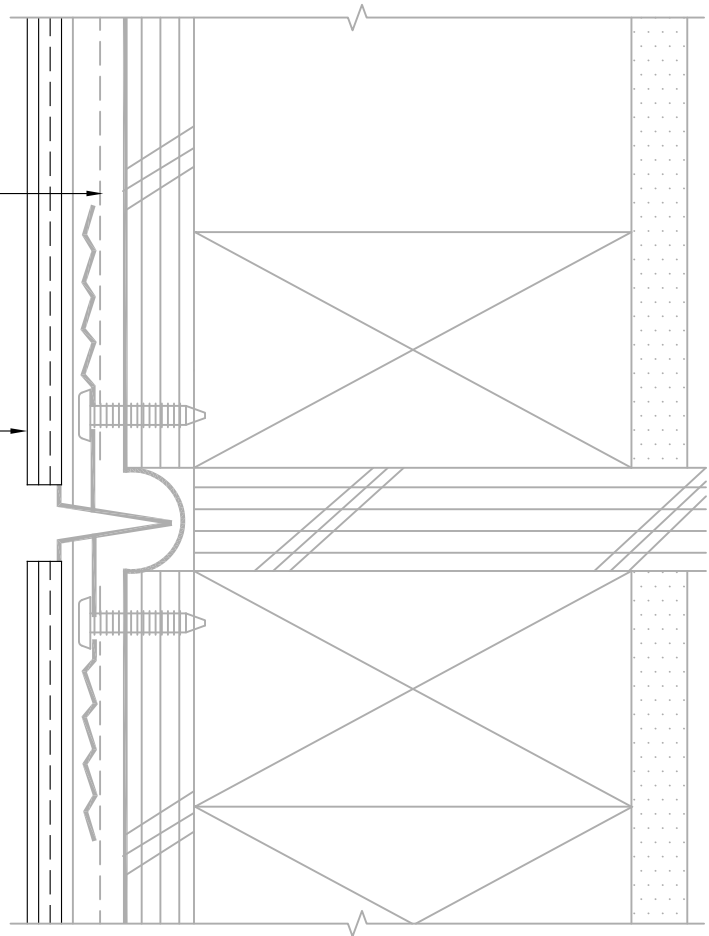
Structure, substrates, flashing, and other items which are not part of the BASF FINESTONE *Stucco Resurfacing System* are the responsibility of others. This detail is subject to change without notice. BASF Corporation - Wall Systems (herein after BASF Wall Systems) accepts no liability for the end use of this detail. For conditions not shown, consult BASF Wall Systems for review of specific detail.

■ BASF

We create chemistry

EXISTING STUCCO SYSTEM

FINESTONE LAMINA:  
FINESTONE BASE COAT  
FINESTONE REINFORCING MESH  
OR BASF DIAMONDSHIELD  
FINESTONE FINISH COAT



REFERENCE reFINE STUCCO PROCEDURES AND RESURFACING SPECIFICATION FOR FURTHER INFORMATION

## TYPICAL HORIZONTAL EXPANSION JOINT AT FLOOR LINE FINESTONE STUCCO RESURFACING SYSTEM

SCALE: NTS

10

Structure, substrates, flashing, and other items which are not part of the BASF FINESTONE *Stucco Resurfacing System* are the responsibility of others. This detail is subject to change without notice. BASF Corporation - Wall Systems (herein after BASF Wall Systems) accepts no liability for the end use of this detail. For conditions not shown, consult BASF Wall Systems for review of specific detail.

 **BASF**  
We create chemistry

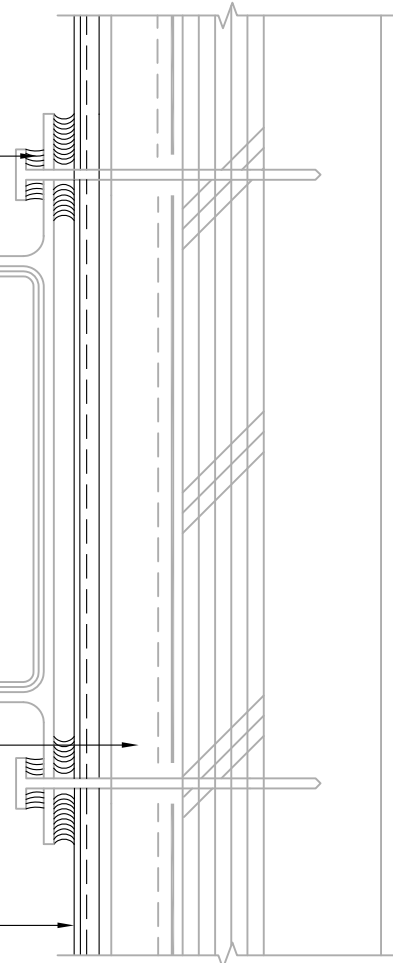


MASTERSEAL NP1/ NP2/ NP100 OR NP150  
W/ MASTERSEAL P173 PRIMER\*

DOWNSPOUT\*  
**NOTE: REMOVE DOWNSPOUT  
PRIOR TO APPLICATION OF  
FINESTONE LAMINA**

EXISTING STUCCO SYSTEM

FINESTONE LAMINA:  
FINESTONE BASE COAT  
FINESTONE REINFORCING MESH  
OR BASF DIAMONSHIELD  
FINESTONE FINISH COAT



\*BY OTHERS

REFERENCE reFINE STUCCO PROCEDURES AND RESURFACING SPECIFICATION FOR FURTHER INFORMATION

## TYPICAL DOWNSPOUT APPLICATION FINESTONE STUCCO RESURFACING SYSTEM

SCALE: NTS

12

Structure, substrates, flashing, and other items which are not part of the BASF FINESTONE *Stucco Resurfacing System* are the responsibility of others. This detail is subject to change without notice. BASF Corporation - Wall Systems (herein after BASF Wall Systems) accepts no liability for the end use of this detail. For conditions not shown, consult BASF Wall Systems for review of specific detail.

■ BASF

We create chemistry



EXISTING STUCCO SYSTEM

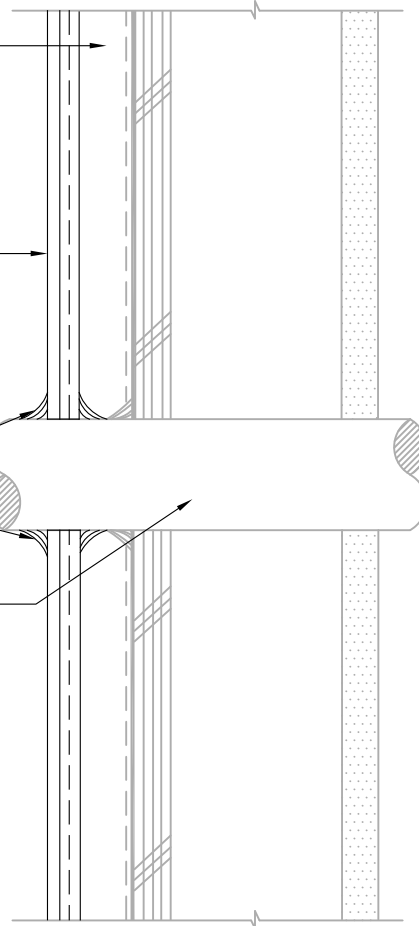
FINESTONE LAMINA:  
FINESTONE BASE COAT  
FINESTONE REINFORCING MESH  
OR BASF DIAMONDSHIELD  
FINESTONE FINISH COAT

MASTERSEAL NP1/ NP2/ NP100 OR NP150  
W/ MASTERSEAL P173 PRIMER\*

EXISTING PIPE

**NOTE:**

- EXISTING SEALANT THAT WILL INTERFERE WITH LAMINA APPLICATION MUST BE REMOVED.
- DO NOT APPLY LAMINA OVER SEALANT



\*BY OTHERS

REFERENCE reFINE STUCCO PROCEDURES AND RESURFACING SPECIFICATION FOR FURTHER INFORMATION

## TYPICAL PIPE PENETRATION

## FINESTONE STUCCO RESURFACING SYSTEM

SCALE: NTS

13

Structure, substrates, flashing, and other items which are not part of the BASF FINESTONE *Stucco Resurfacing System* are the responsibility of others. This detail is subject to change without notice. BASF Corporation - Wall Systems (herein after BASF Wall Systems) accepts no liability for the end use of this detail. For conditions not shown, consult BASF Wall Systems for review of specific detail.

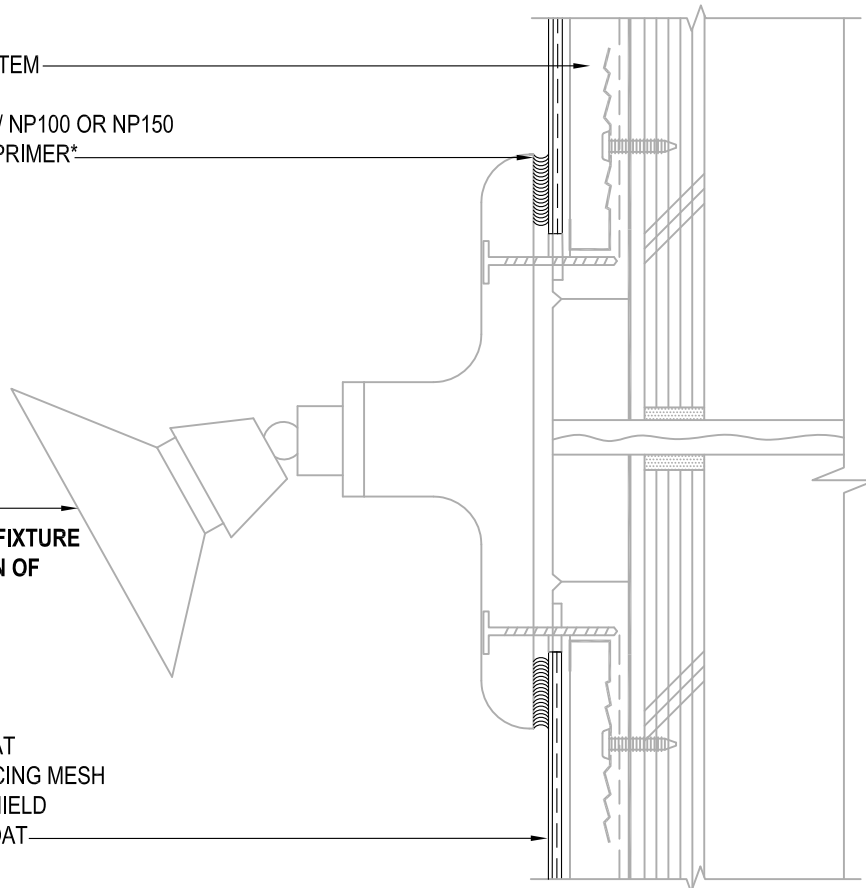
**BASF**  
We create chemistry

EXISTING STUCCO SYSTEM

MASTERSEAL NP1/ NP2/ NP100 OR NP150  
W/ MASTERSEAL P173 PRIMER\*

LIGHT FIXTURE\*  
NOTE: REMOVE LIGHT FIXTURE  
PRIOR TO APPLICATION OF  
FINESTONE LAMINA

FINESTONE LAMINA:  
FINESTONE BASE COAT  
FINESTONE REINFORCING MESH  
OR BASF DIAMONDSHIELD  
FINESTONE FINISH COAT



\*BY OTHERS

REFERENCE reFINE STUCCO PROCEDURES AND RESURFACING SPECIFICATION FOR FURTHER INFORMATION

## TYPICAL LIGHT FIXTURE

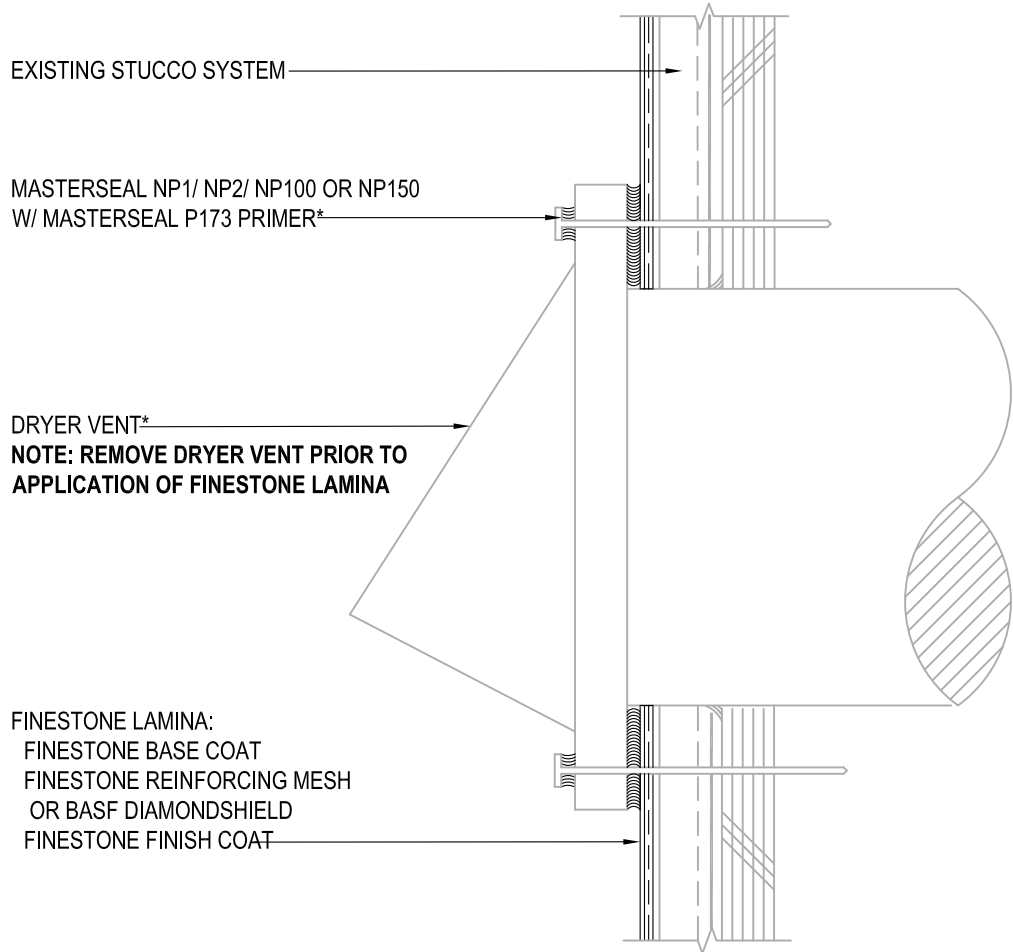
## FINESTONE STUCCO RESURFACING SYSTEM

SCALE: NTS

14

Structure, substrates, flashing, and other items which are not part of the BASF FINESTONE *Stucco Resurfacing System* are the responsibility of others. This detail is subject to change without notice. BASF Corporation - Wall Systems (herein after BASF Wall Systems) accepts no liability for the end use of this detail. For conditions not shown, consult BASF Wall Systems for review of specific detail.

  
We create chemistry



\*BY OTHERS

REFERENCE reFINE STUCCO PROCEDURES AND RESURFACING SPECIFICATION FOR FURTHER INFORMATION

## TYPICAL DRYER VENT

## FINESTONE STUCCO RESURFACING SYSTEM

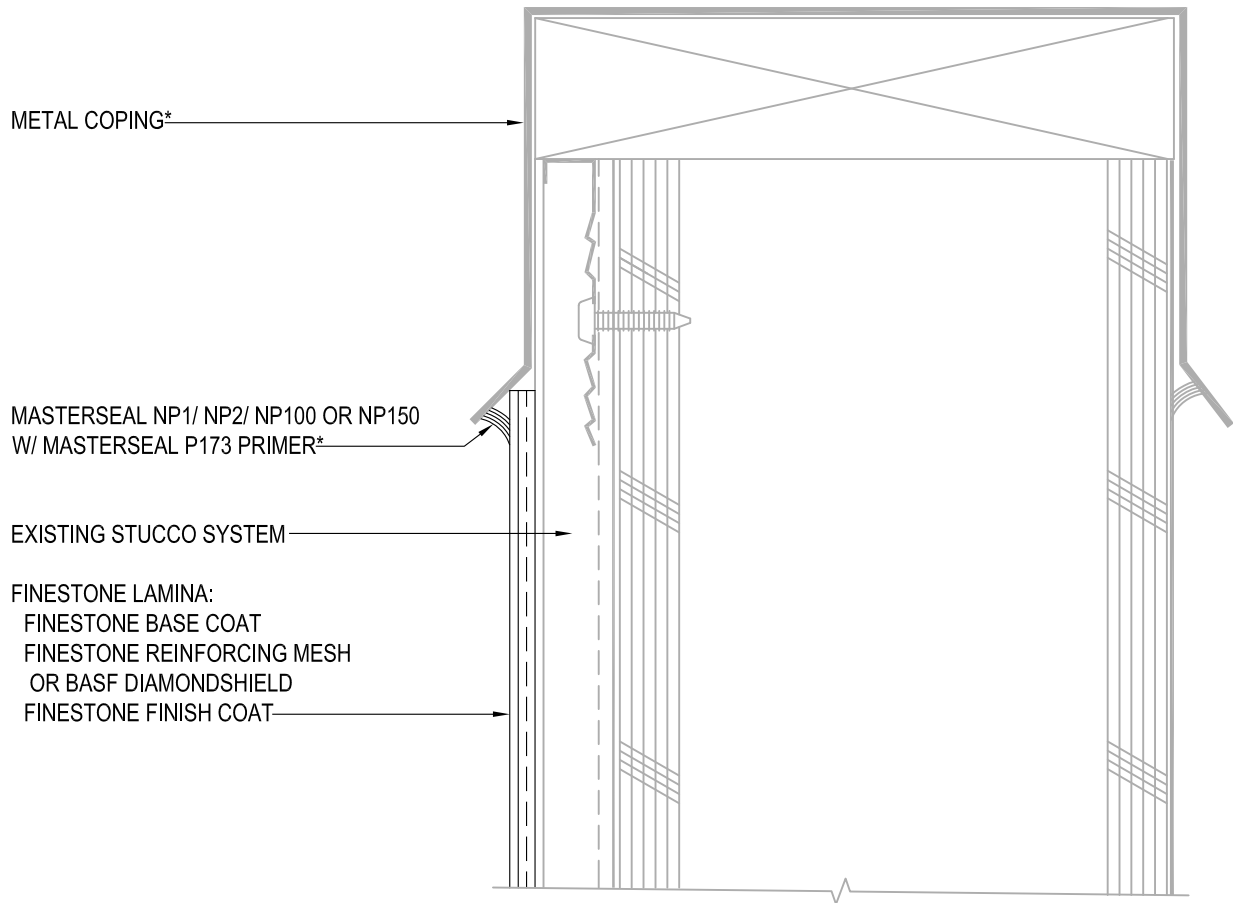
SCALE: NTS

15

Structure, substrates, flashing, and other items which are not part of the BASF Finestone Stucco Resurfacing System are the responsibility of others. This detail is subject to change without notice. BASF Corporation - Wall Systems (herein after BASF Wall Systems) accepts no liability for the end use of this detail. For conditions not shown, consult BASF Wall Systems for review of specific detail.

**BASF**  
We create chemistry





\*BY OTHERS

REFERENCE reFINE STUCCO PROCEDURES AND RESURFACING SPECIFICATION FOR FURTHER INFORMATION

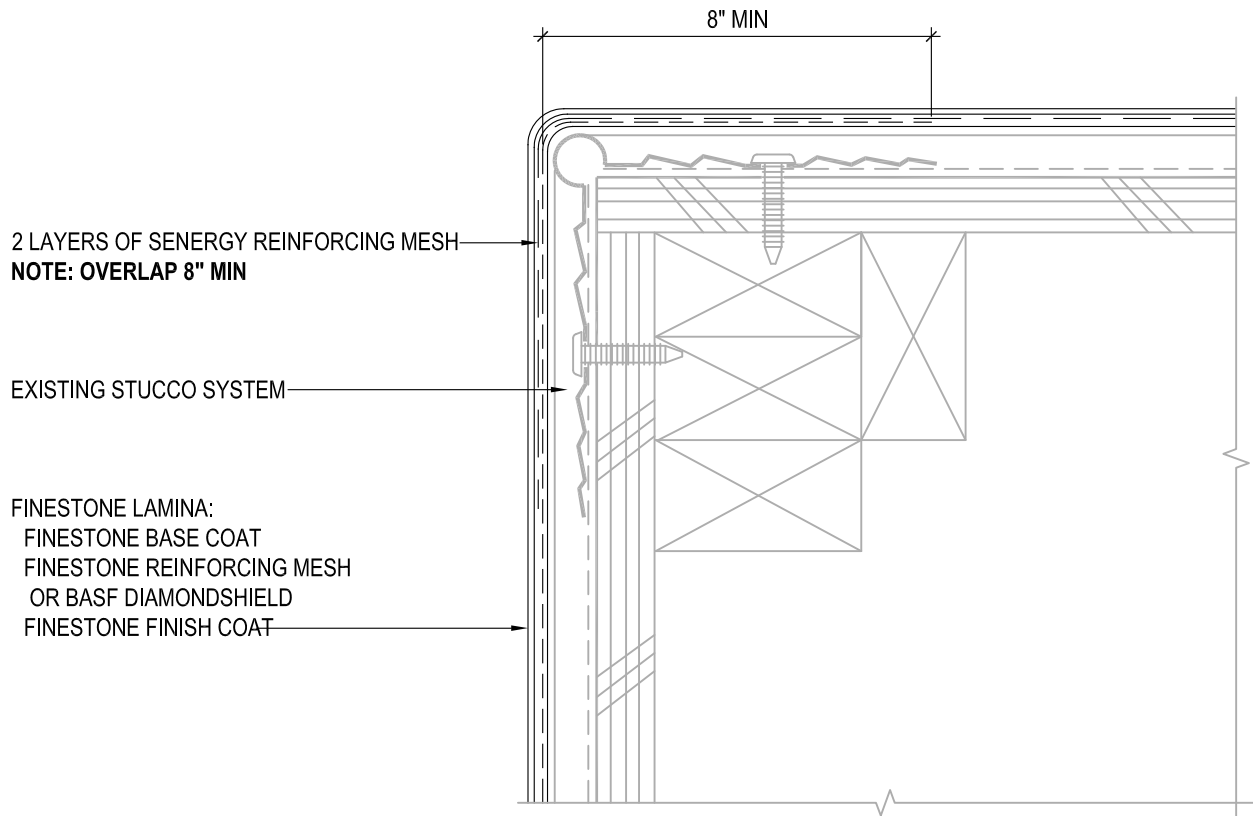
## TYPICAL METAL COPING

## FINESTONE STUCCO RESURFACING SYSTEM

SCALE: NTS  
**17**

Structure, substrates, flashing, and other items which are not part of the BASF FINESTONE *Stucco Resurfacing System* are the responsibility of others. This detail is subject to change without notice. BASF Corporation - Wall Systems (herein after BASF Wall Systems) accepts no liability for the end use of this detail. For conditions not shown, consult BASF Wall Systems for review of specific detail.





REFERENCE reFINE STUCCO PROCEDURES AND RESURFACING SPECIFICATION FOR FURTHER INFORMATION

## TYPICAL CORNER APPLICATION FINESTONE STUCCO RESURFACING SYSTEM

SCALE: NTS

18

Structure, substrates, flashing, and other items which are not part of the BASF FINESTONE *Stucco Resurfacing System* are the responsibility of others. This detail is subject to change without notice. BASF Corporation - Wall Systems (herein after BASF Wall Systems) accepts no liability for the end use of this detail. For conditions not shown, consult BASF Wall Systems for review of specific detail.

■ • BASF

We create chemistry