

Pebbletex Classic PB

Class PB Exterior Insulation and Finish
System Providing a Primary Moisture Barrier
and Optional Secondary Air/Weather Barrier

Typical Details

(THIS PAGE INTENTIONALLY LEFT BLANK)

Pebbletex Classic PB

Typical Details

Class PB Exterior Insulation and Finish System Providing a Primary Moisture Barrier and Optional Secondary Air/Weather Barrier

TABLE OF CONTENTS

- | | |
|--|--|
| 1. Typical Pebbletex Wall System Application | 12. Typical Expansion Joint at Floorline |
| 2. Typical Aesthetic Reveal | 13. Typical Expansion Joint at Change in Substrate |
| 3. Typical Window Head (Flush) | 14. Typical Transition at Soffit / Gable End |
| 4. Typical Window Head (Recessed) | 15. Typical Expansion Joint |
| 5. Typical Window Jamb (Flush) | 16. Typical Pipe Penetration |
| 6. Typical Window Jamb (Recessed) | 17. Typical Corner Mesh |
| 7. Typical Window Sill (Flush) | 18. Typical Light Fixture |
| 8. Typical Window Sill (Recessed) | 19. Typical Termination at Foundation |
| 9. Typical Roof Edge Flashing | 20. Typical Termination at Foundation (Flush) |
| 10. Typical Parapet Cap Flashing | 21. Typical Kick-Out Flashing |
| 11. Typical Parapet Cap | |

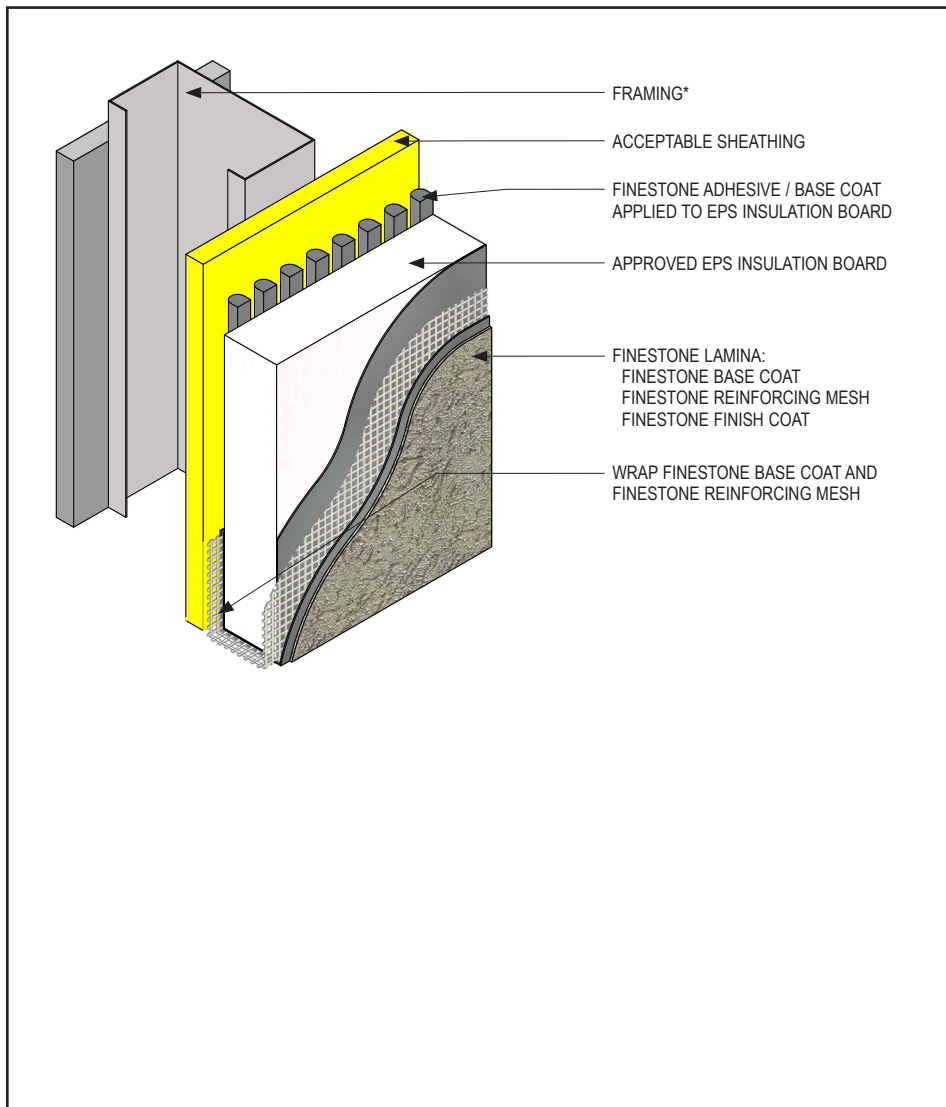
Notes:

- **Install Master Builders Solutions materials in accordance with current installation instructions.**
- **Unsatisfactory conditions shall be reported to the General Contractor and corrected before the application of Master Builders Solutions products.**
- **The details within represent Master Builders Solutions Construction Systems US, LLC (hereinafter Master Builders Solutions) latest recommendations. They are presented in good faith by Master Builders Solutions. The details are subject to change without notice. Master Builders Solutions accepts no liability for the end use of the details. For conditions not shown, consult Master Builders Solutions for review of specific detail.**

(THIS PAGE INTENTIONALLY LEFT BLANK)

Pebbletex Classic PB

TYPICAL PEBBLETEX WALL SYSTEM APPLICATION



- Install Master Builders Solutions materials in accordance with current installation instructions.
- Unsatisfactory conditions shall be reported to the General Contractor and corrected before the application of Master Builders Solutions products.
- Verify all materials are installed in accordance with installation instructions.
- All terminations must be fully encapsulated with mesh reinforced base coat.

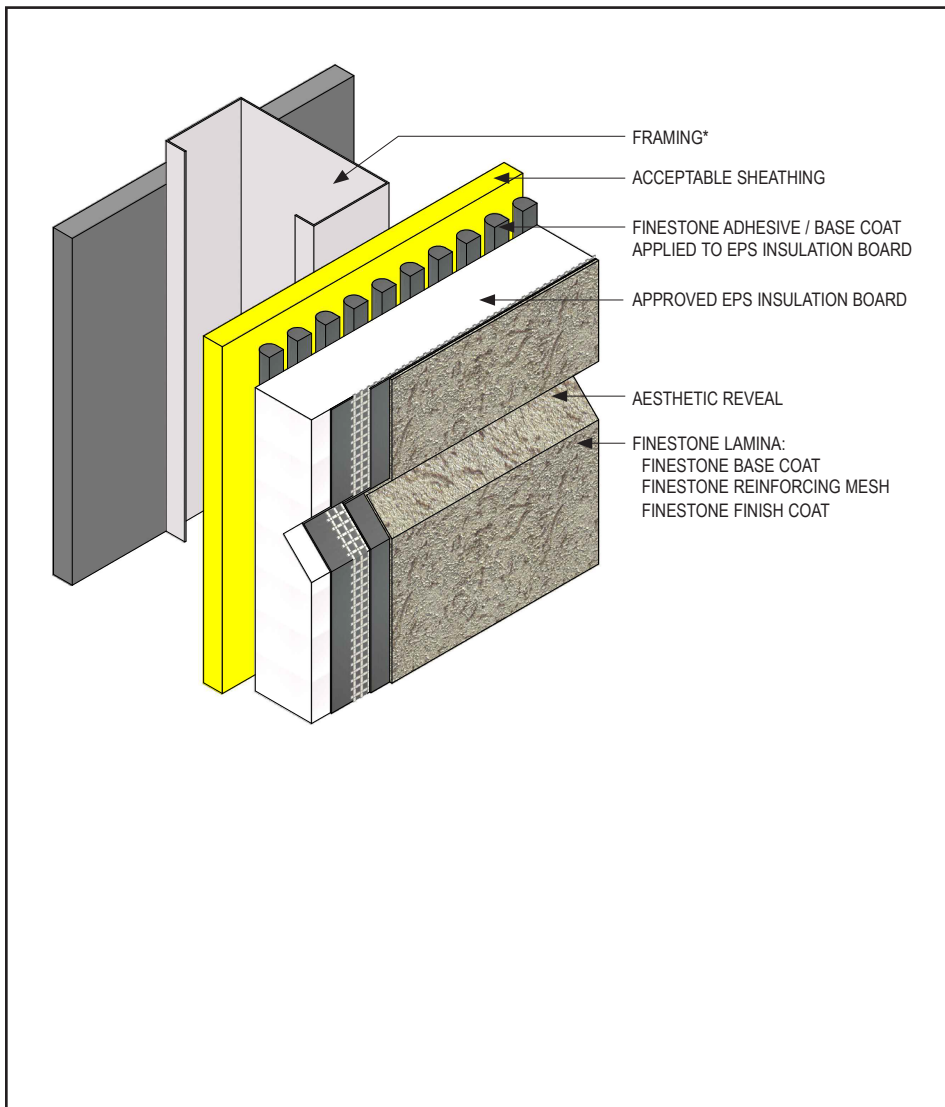
PB-01 0921

(*NOTE: BY OTHERS)

This detail represents Master Builders Solutions Construction Systems US, LLC (hereinafter Master Builders Solutions) latest recommendations. It is presented in good faith by Master Builders Solutions. The detail is subject to change without notice. Master Builders Solutions accepts no liability for the end use of the detail. For conditions not shown, consult Master Builders Solutions for review of specific detail.

Pebbletex Classic PB

TYPICAL FRAMED / SHEATHED CONSTRUCTION



- Install Master Builders Solutions materials in accordance with current installation instructions.
- Unsatisfactory conditions shall be reported to the General Contractor and corrected before the application of Master Builders Solutions products.
- Verify all materials are installed in accordance with installation instructions.
- Maintain a minimum 3/4" (19 mm) thick EPS insulation board behind all reveals and aesthetic grooves.
- Reinforcing mesh shall be continuous through the reveal and care shall be taken to ensure reinforcing mesh is encapsulated into the reveal and is not cut during base coat application.
- Horizontal reveals shall provide an outward positive drainage.
- Reveals must not occur at the abutment of two pieces of EPS insulation board.
- Reveals must not occur at the joints in sheathing.

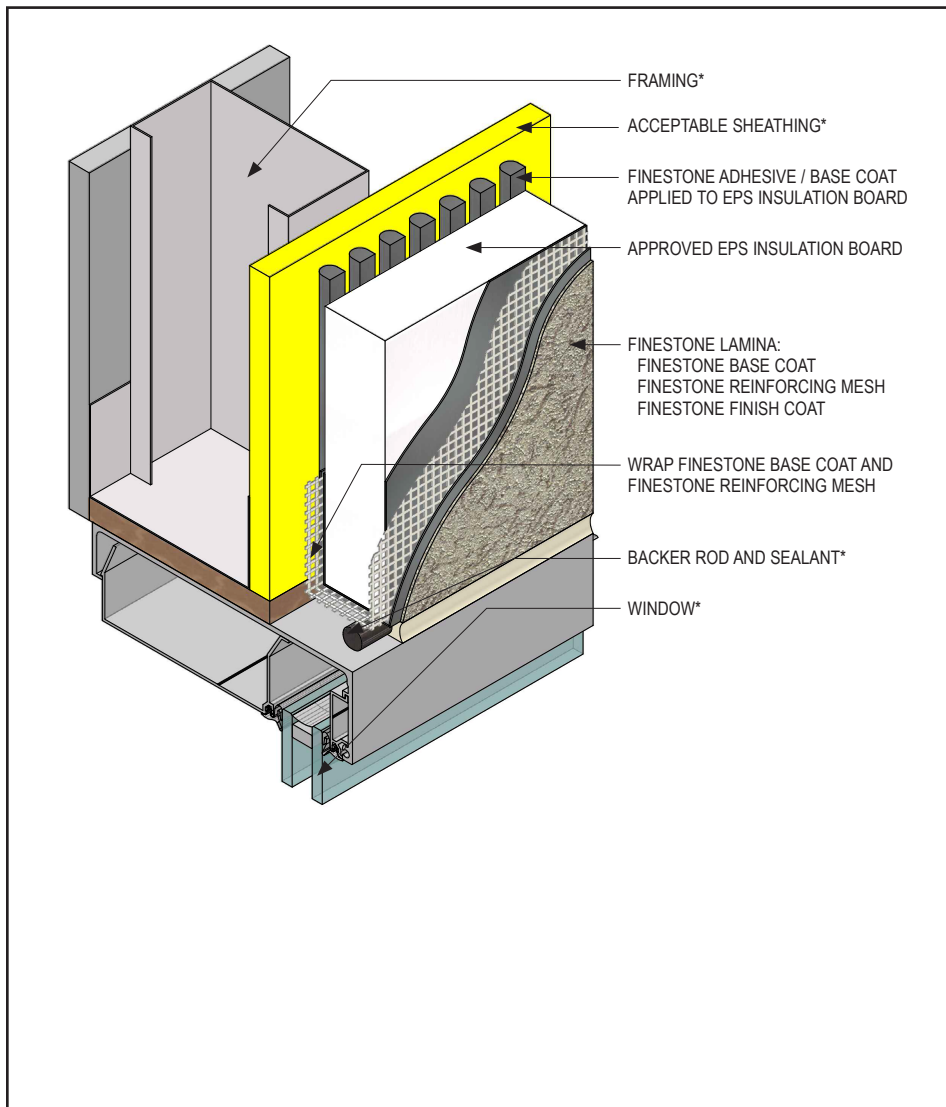
PB-02 0921

(*NOTE: BY OTHERS)

This detail represents Master Builders Solutions Construction Systems US, LLC (hereinafter Master Builders Solutions) latest recommendations. It is presented in good faith by Master Builders Solutions. The detail is subject to change without notice. Master Builders Solutions accepts no liability for the end use of the detail. For conditions not shown, consult Master Builders Solutions for review of specific detail.

Pebbletex Classic PB

TYPICAL WINDOW HEAD (FLUSH)



- Install Master Builders Solutions materials in accordance with current installation instructions.
- Unsatisfactory conditions shall be reported to the General Contractor and corrected before the application of Master Builders Solutions products.
- Verify all materials are installed in accordance with installation instructions.
- All terminations must be fully encapsulated with mesh reinforced base coat.
- Do not apply finish to areas that will receive sealant.
- Provide a properly configured back wrapped joint with backer rod and sealant at system terminations to dissimilar materials, ensuring that a watertight seal is achieved.
- Joint and EPS insulation board must not line up with corner of rough openings.

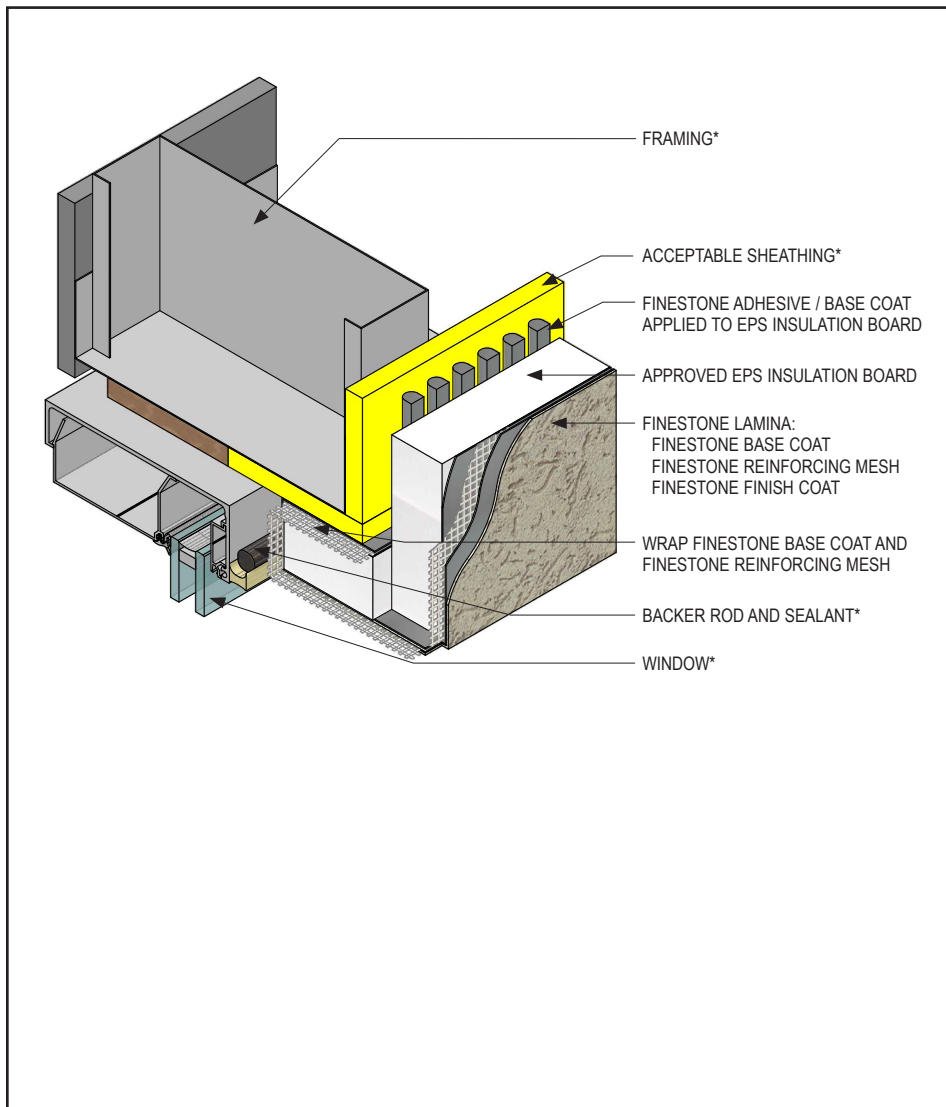
PB-03 0921

(*NOTE: BY OTHERS)

This detail represents Master Builders Solutions Construction Systems US, LLC (hereinafter Master Builders Solutions) latest recommendations. It is presented in good faith by Master Builders Solutions. The detail is subject to change without notice. Master Builders Solutions accepts no liability for the end use of the detail. For conditions not shown, consult Master Builders Solutions for review of specific detail.

Pebbletex Classic PB

TYPICAL WINDOW HEAD (RECESSED)



- Install Master Builders Solutions materials in accordance with current installation instructions.
- Unsatisfactory conditions shall be reported to the General Contractor and corrected before the application of Master Builders Solutions products.
- Verify all materials are installed in accordance with installation instructions.
- All terminations must be fully encapsulated with mesh reinforced base coat.
- Do not apply finish to areas that will receive sealant.
- Provide a properly configured back wrapped joint with backer rod and sealant at system terminations to dissimilar materials, ensuring that a watertight seal is achieved.
- Joint and EPS insulation board must not line up with corner of rough openings.

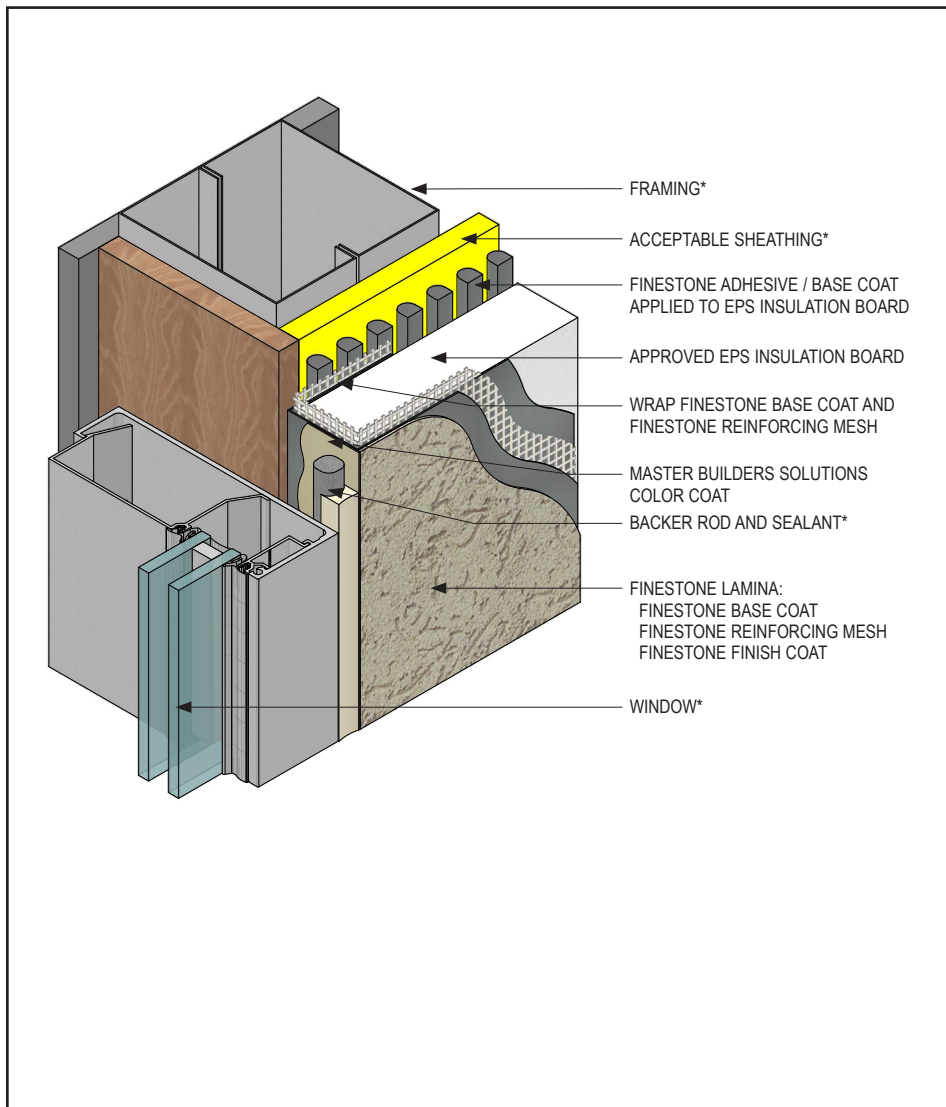
PB-04 0921

(*NOTE: BY OTHERS)

This detail represents Master Builders Solutions Construction Systems US, LLC (hereinafter Master Builders Solutions) latest recommendations. It is presented in good faith by Master Builders Solutions. The detail is subject to change without notice. Master Builders Solutions accepts no liability for the end use of the detail. For conditions not shown, consult Master Builders Solutions for review of specific detail.

Pebbletex Classic PB

TYPICAL WINDOW HEAD (FLUSH)



- Install Master Builders Solutions materials in accordance with current installation instructions.
- Unsatisfactory conditions shall be reported to the General Contractor and corrected before the application of Master Builders Solutions products.
- Verify all materials are installed in accordance with installation instructions.
- All terminations must be fully encapsulated with mesh reinforced base coat.
- Do not apply finish to areas that will receive sealant.
- Provide a properly configured back wrapped joint with backer rod and sealant at system terminations to dissimilar materials, ensuring that a watertight seal is achieved.
- Joint and EPS insulation board must not line up with corner of rough openings.

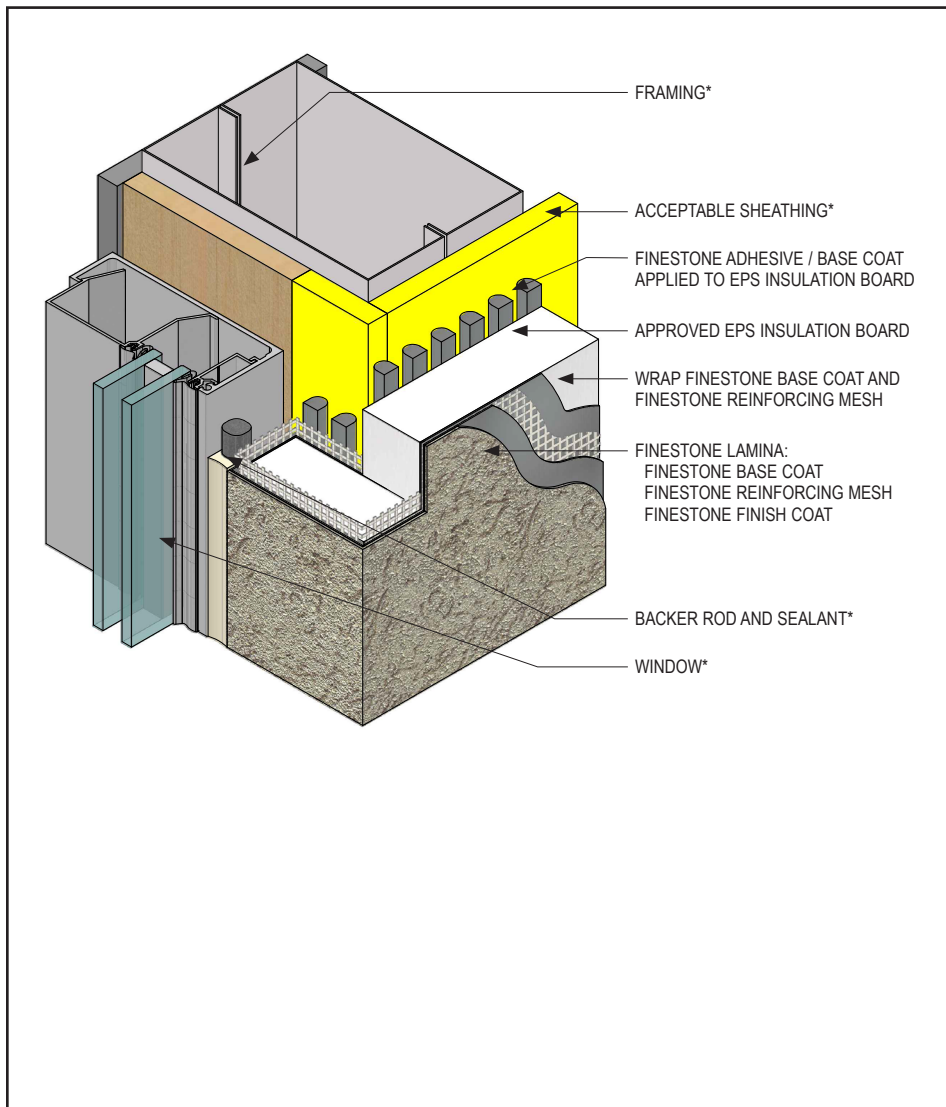
PB-05 0921

(*NOTE: BY OTHERS)

This detail represents Master Builders Solutions Construction Systems US, LLC (hereinafter Master Builders Solutions) latest recommendations. It is presented in good faith by Master Builders Solutions. The detail is subject to change without notice. Master Builders Solutions accepts no liability for the end use of the detail. For conditions not shown, consult Master Builders Solutions for review of specific detail.

Pebbletex Classic PB

TYPICAL FASTENING PATTERN



- Install Master Builders Solutions materials in accordance with current installation instructions.
- Unsatisfactory conditions shall be reported to the General Contractor and corrected before the application of Master Builders Solutions products.
- Verify all materials are installed in accordance with installation instructions.
- All terminations must be fully encapsulated with mesh reinforced base coat.
- Do not apply finish to areas that will receive sealant.
- Provide a properly configured back wrapped joint with backer rod and sealant at system terminations to dissimilar materials, ensuring that a watertight seal is achieved.
- Joint and EPS insulation board must not line up with corner of rough openings.

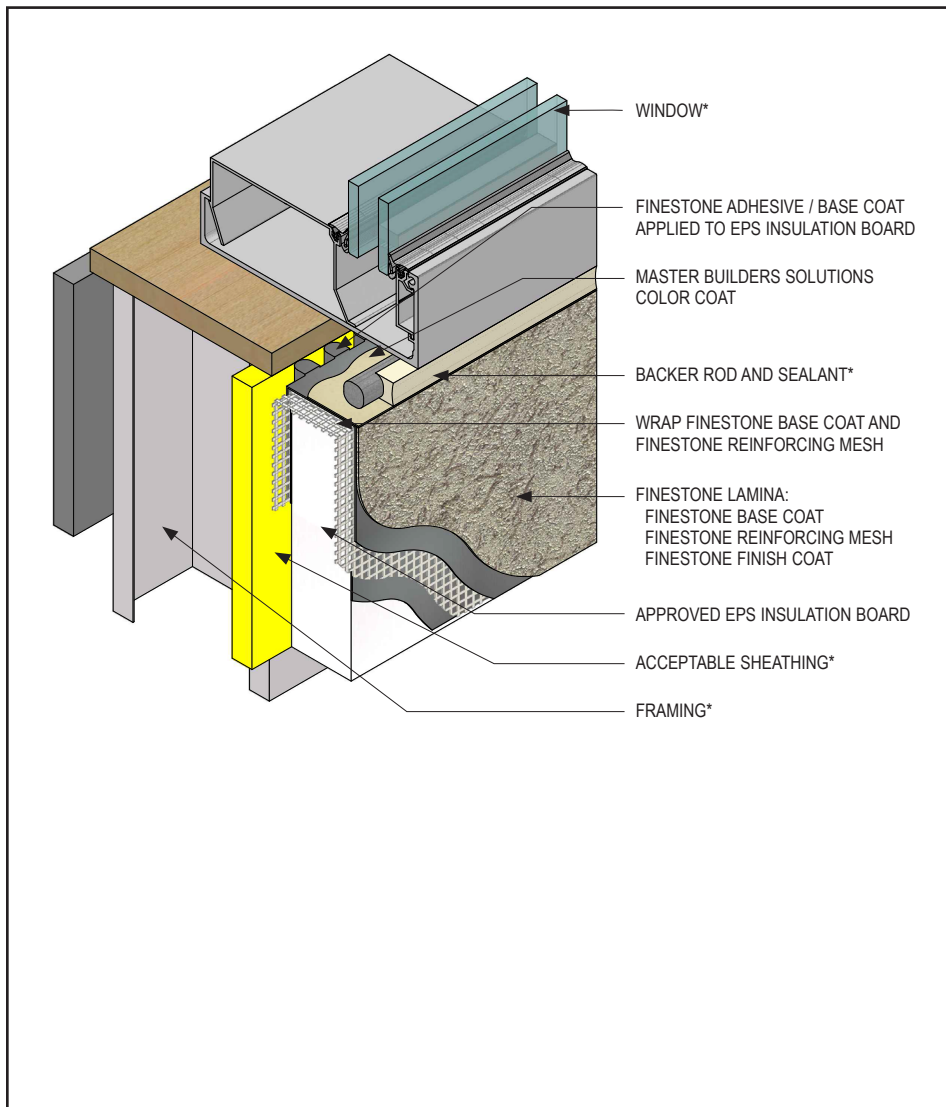
PB-06 0921

(*NOTE: BY OTHERS)

This detail represents Master Builders Solutions Construction Systems US, LLC (hereinafter Master Builders Solutions) latest recommendations. It is presented in good faith by Master Builders Solutions. The detail is subject to change without notice. Master Builders Solutions accepts no liability for the end use of the detail. For conditions not shown, consult Master Builders Solutions for review of specific detail.

Pebbletex Classic PB

TYPICAL WINDOW SILL (FLUSH)



- Install Master Builders Solutions materials in accordance with current installation instructions.
- Unsatisfactory conditions shall be reported to the General Contractor and corrected before the application of Master Builders Solutions products.
- Verify all materials are installed in accordance with installation instructions.
- All terminations must be fully encapsulated with mesh reinforced base coat.
- Do not apply finish to areas that will receive sealant.
- Provide a properly configured back wrapped joint with backer rod and sealant at system terminations to dissimilar materials, ensuring that a watertight seal is achieved.
- Joint and EPS insulation board must not line up with corner of rough openings.

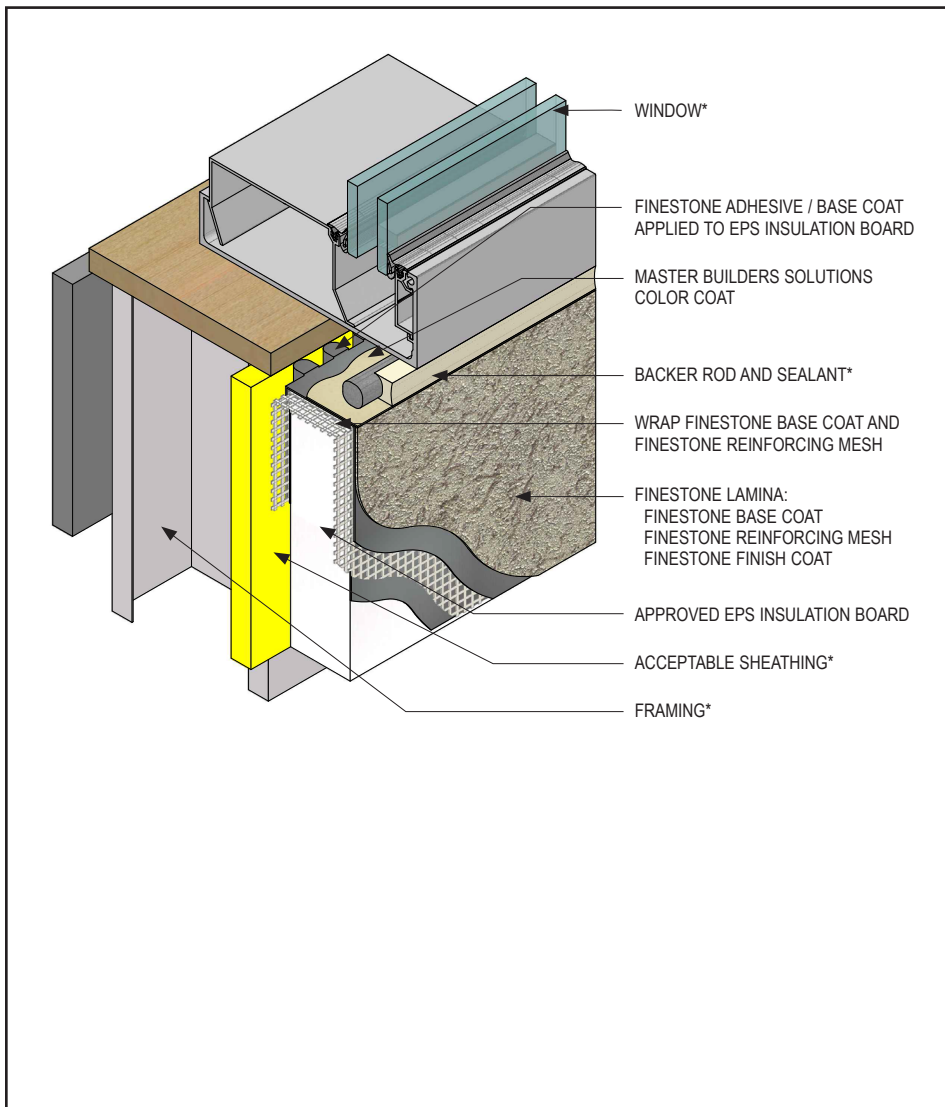
PB-07 0921

(*NOTE: BY OTHERS)

This detail represents Master Builders Solutions Construction Systems US, LLC (hereinafter Master Builders Solutions) latest recommendations. It is presented in good faith by Master Builders Solutions. The detail is subject to change without notice. Master Builders Solutions accepts no liability for the end use of the detail. For conditions not shown, consult Master Builders Solutions for review of specific detail.

Pebbletex Classic PB

TYPICAL WINDOW SILL (FLUSH)



- Install Master Builders Solutions materials in accordance with current installation instructions.
- Unsatisfactory conditions shall be reported to the General Contractor and corrected before the application of Master Builders Solutions products.
- Verify all materials are installed in accordance with installation instructions.
- All terminations must be fully encapsulated with mesh reinforced base coat.
- Do not apply finish to areas that will receive sealant.
- Provide a properly configured back wrapped joint with backer rod and sealant at system terminations to dissimilar materials, ensuring that a watertight seal is achieved.
- Joint and EPS insulation board must not line up with corner of rough openings.

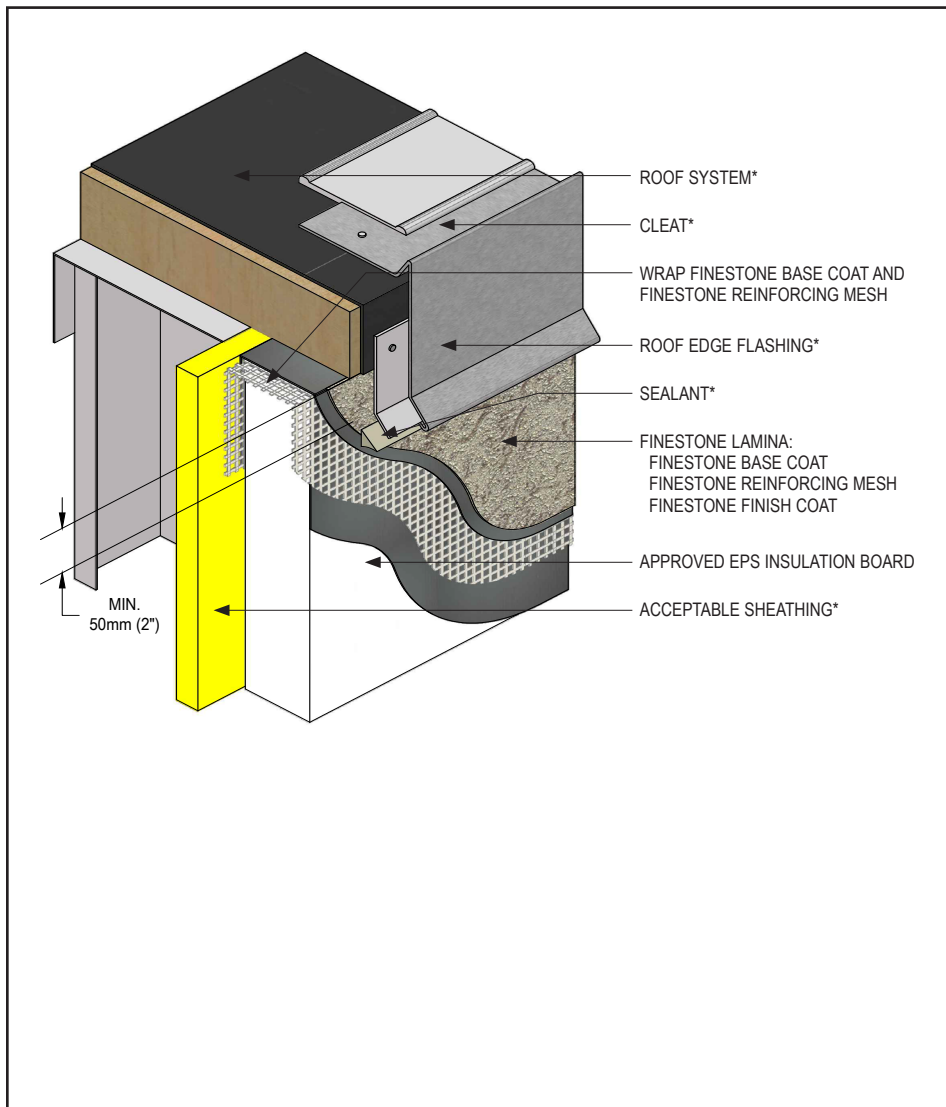
PB-07 0921

(*NOTE: BY OTHERS)

This detail represents Master Builders Solutions Construction Systems US, LLC (hereinafter Master Builders Solutions) latest recommendations. It is presented in good faith by Master Builders Solutions. The detail is subject to change without notice. Master Builders Solutions accepts no liability for the end use of the detail. For conditions not shown, consult Master Builders Solutions for review of specific detail.

Pebbletex Classic PB

TYPICAL ROOF EDGE FLASHING



- Install Master Builders Solutions materials in accordance with current installation instructions.
- Unsatisfactory conditions shall be reported to the General Contractor and corrected before the application of Master Builders Solutions products.
- Verify all materials are installed in accordance with installation instructions.
- All terminations must be fully encapsulated with mesh reinforced base coat.
- Ensure that metal coping/flashing extends onto the system a minimum of 2" (51 mm) and that the flange is sealed.

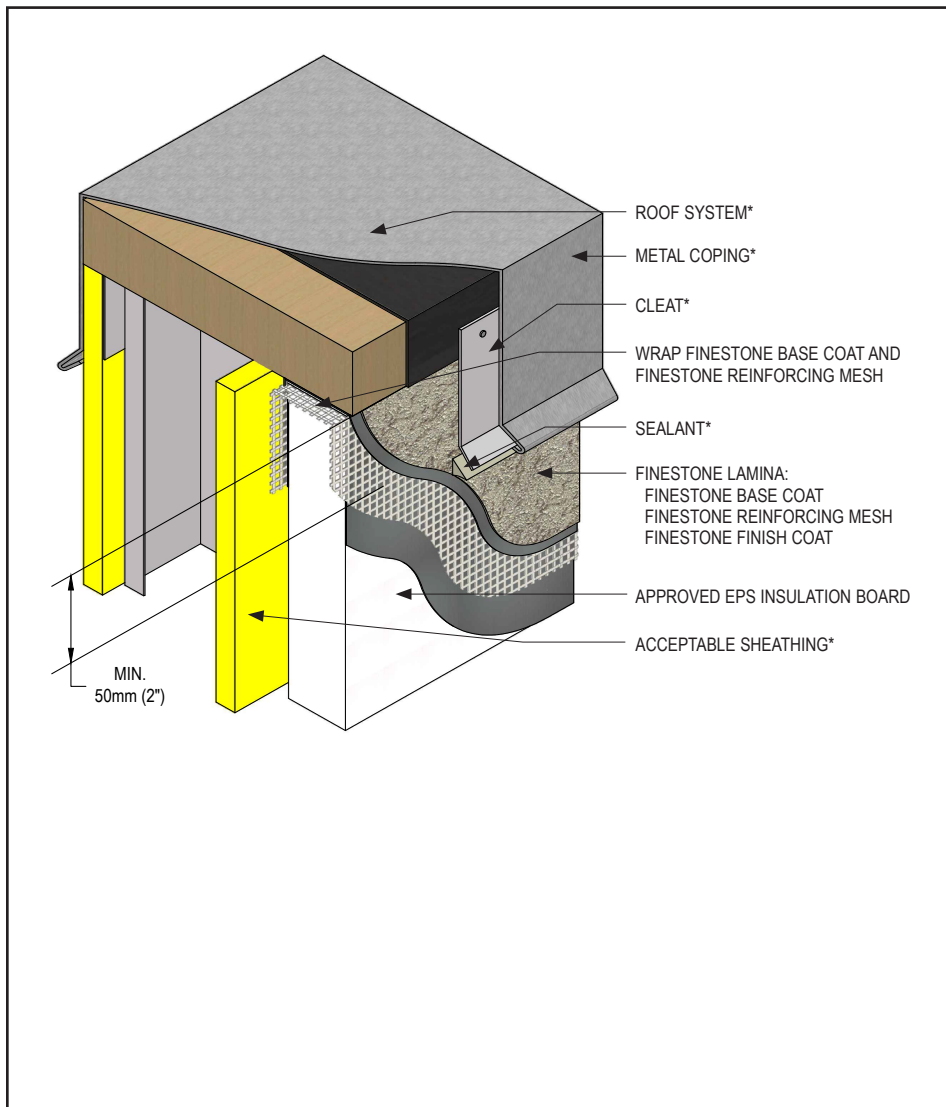
PB-09 0921

(*NOTE: BY OTHERS)

This detail represents Master Builders Solutions Construction Systems US, LLC (hereinafter Master Builders Solutions) latest recommendations. It is presented in good faith by Master Builders Solutions. The detail is subject to change without notice. Master Builders Solutions accepts no liability for the end use of the detail. For conditions not shown, consult Master Builders Solutions for review of specific detail.

Pebbletex Classic PB

TYPICAL PARAPET CAP FLASHING



- Install Master Builders Solutions materials in accordance with current installation instructions.
- Unsatisfactory conditions shall be reported to the General Contractor and corrected before the application of Master Builders Solutions products.
- Verify all materials are installed in accordance with installation instructions.
- All terminations must be fully encapsulated with mesh reinforced base coat.
- Ensure that metal coping/flashing extends onto the system a minimum of 2" (51 mm) and that the flange is sealed.

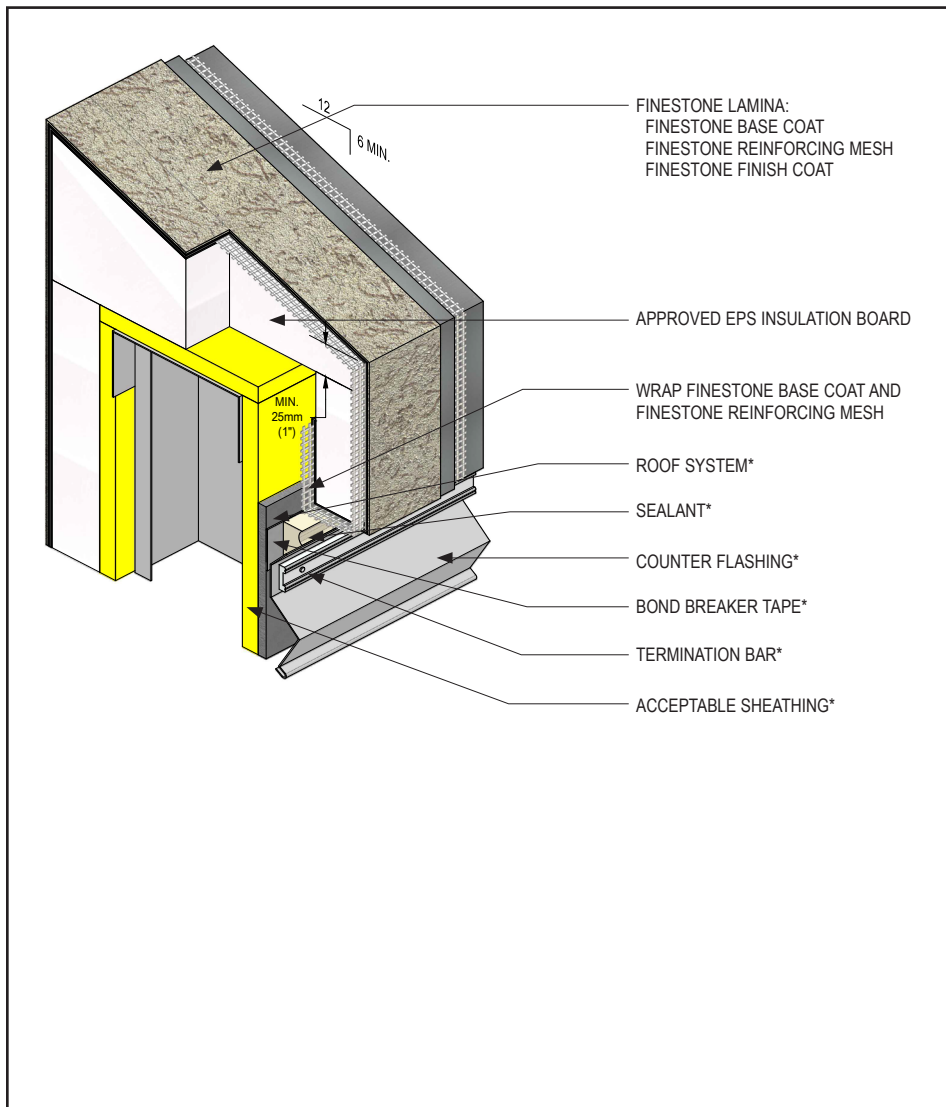
PB-10 0921

(*NOTE: BY OTHERS)

This detail represents Master Builders Solutions Construction Systems US, LLC (hereinafter Master Builders Solutions) latest recommendations. It is presented in good faith by Master Builders Solutions. The detail is subject to change without notice. Master Builders Solutions accepts no liability for the end use of the detail. For conditions not shown, consult Master Builders Solutions for review of specific detail.

Pebbletex Classic PB

TYPICAL PARAPET CAP



- Install Master Builders Solutions materials in accordance with current installation instructions.
- Unsatisfactory conditions shall be reported to the General Contractor and corrected before the application of Master Builders Solutions products.
- Verify all materials are installed in accordance with installation instructions.
- All terminations must be fully encapsulated with mesh reinforced base coat.
- Provide a minimum 6:12 slope for all horizontal surfaces greater than 1" (25 mm). Finestone requires the use of a roofing system or metal cap flashing for sloped surfaces over 24" (609 mm).
- Terminate system a minimum of 8" (203 mm) above roof.
- Maintain a minimum 1" (25 mm) thick EPS insulation board.

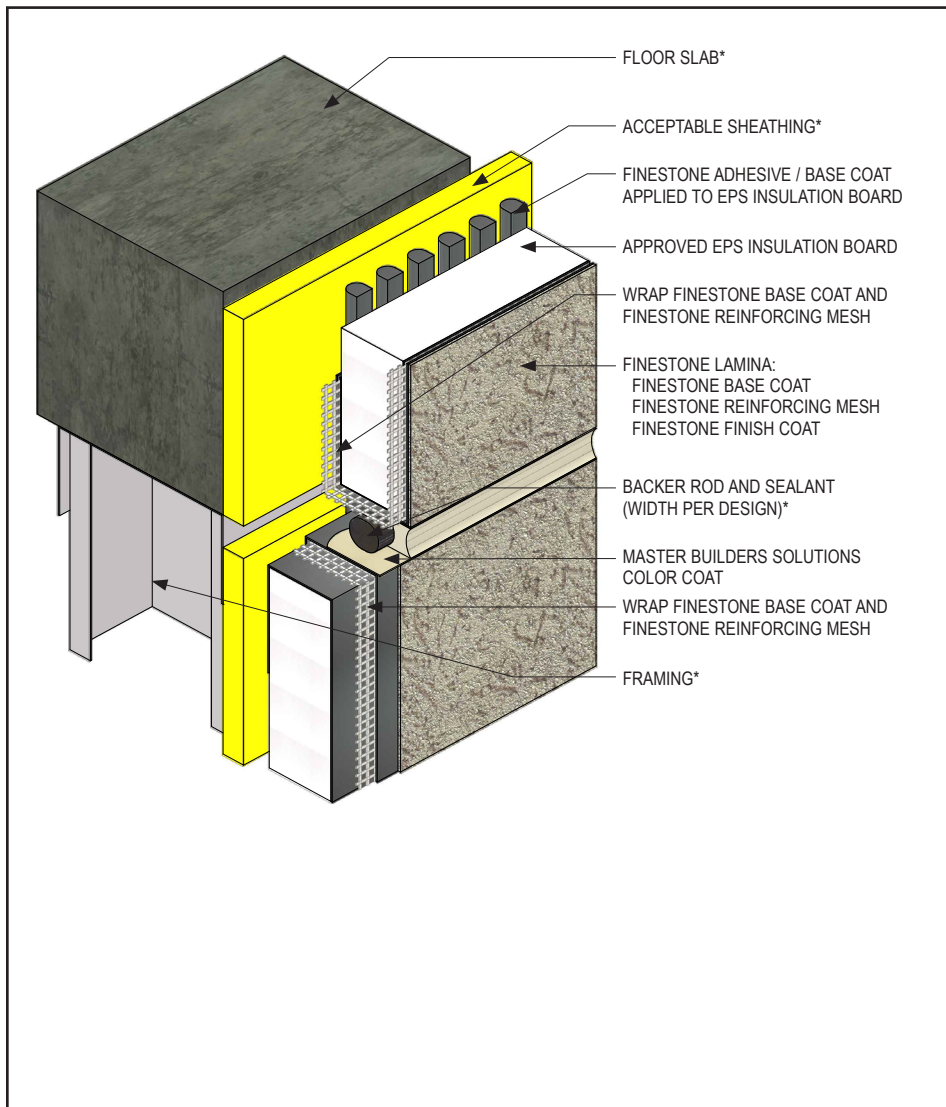
PB-11 0921

(*NOTE: BY OTHERS)

This detail represents Master Builders Solutions Construction Systems US, LLC (hereinafter Master Builders Solutions) latest recommendations. It is presented in good faith by Master Builders Solutions. The detail is subject to change without notice. Master Builders Solutions accepts no liability for the end use of the detail. For conditions not shown, consult Master Builders Solutions for review of specific detail.

Pebbletex Classic PB

TYPICAL FASTENING PATTERN



- Install Master Builders Solutions materials in accordance with current installation instructions.
- Unsatisfactory conditions shall be reported to the General Contractor and corrected before the application of Master Builders Solutions products.
- Verify all materials are installed in accordance with installation instructions.
- All terminations must be fully encapsulated with mesh reinforced base coat.
- Do not apply finish to areas that will receive sealant.
- Install expansion joints in the system at all changes in substrate, through existing expansion joints, floor lines in multi-level wood frame construction, and where movement is anticipated. It is the sole responsibility of the design professional to determine specific expansion joint location, placement and design.

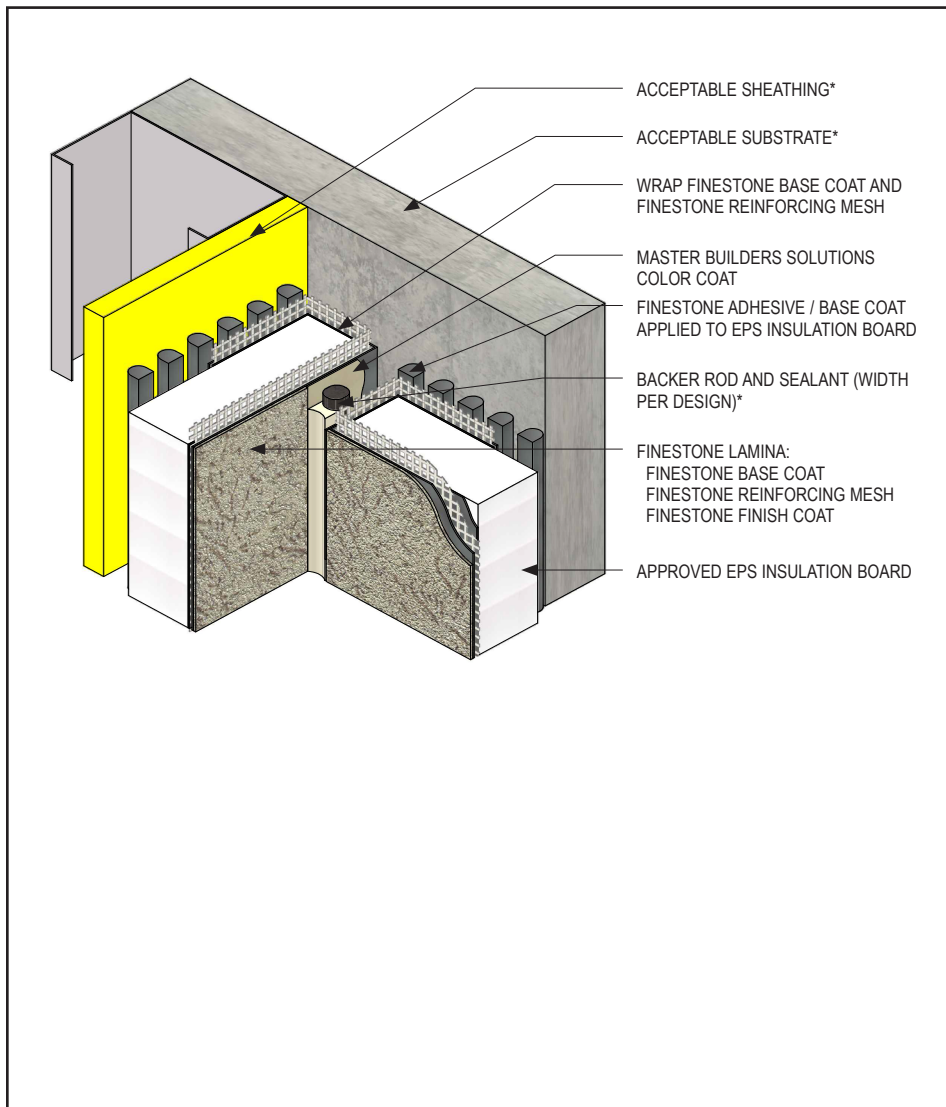
PB-12 0921

(*NOTE: BY OTHERS)

This detail represents Master Builders Solutions Construction Systems US, LLC (hereinafter Master Builders Solutions) latest recommendations. It is presented in good faith by Master Builders Solutions. The detail is subject to change without notice. Master Builders Solutions accepts no liability for the end use of the detail. For conditions not shown, consult Master Builders Solutions for review of specific detail.

Pebbletex Classic PB

TYPICAL EXPANSION JOINT AT CHANGE IN SUBSTRATE



- Install Master Builders Solutions materials in accordance with current installation instructions.
- Unsatisfactory conditions shall be reported to the General Contractor and corrected before the application of Master Builders Solutions products.
- Verify all materials are installed in accordance with installation instructions.
- All terminations must be fully encapsulated with mesh reinforced base coat.
- Do not apply finish to areas that will receive sealant.
- Install expansion joints in the system at all changes in substrate, through existing expansion joints, floor lines in multi-level wood frame construction, and where movement is anticipated. It is the sole responsibility of the design professional to determine specific expansion joint location, placement and design.

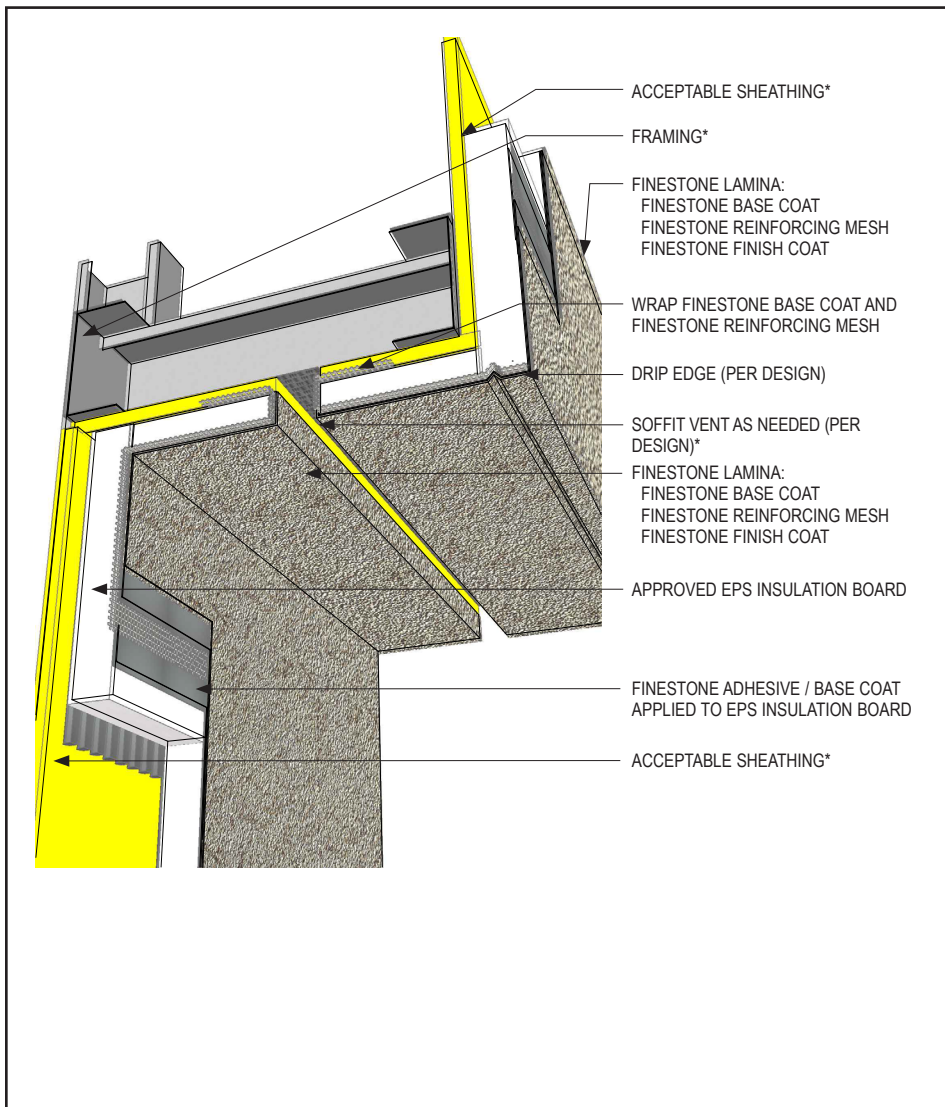
PB-13 0921

(*NOTE: BY OTHERS)

This detail represents Master Builders Solutions Construction Systems US, LLC (hereinafter Master Builders Solutions) latest recommendations. It is presented in good faith by Master Builders Solutions. The detail is subject to change without notice. Master Builders Solutions accepts no liability for the end use of the detail. For conditions not shown, consult Master Builders Solutions for review of specific detail.

Pebbletex Classic PB

TYPICAL TRANSITION AT SOFFIT AND FASCIA



- Install Master Builders Solutions materials in accordance with current installation instructions.
- Unsatisfactory conditions shall be reported to the General Contractor and corrected before the application of Master Builders Solutions products.
- Verify all materials are installed in accordance with installation instructions.
- All terminations must be fully encapsulated with mesh reinforced base coat.
- Maintain a minimum 3/4" (19 mm) thick EPS insulation board behind drip edge

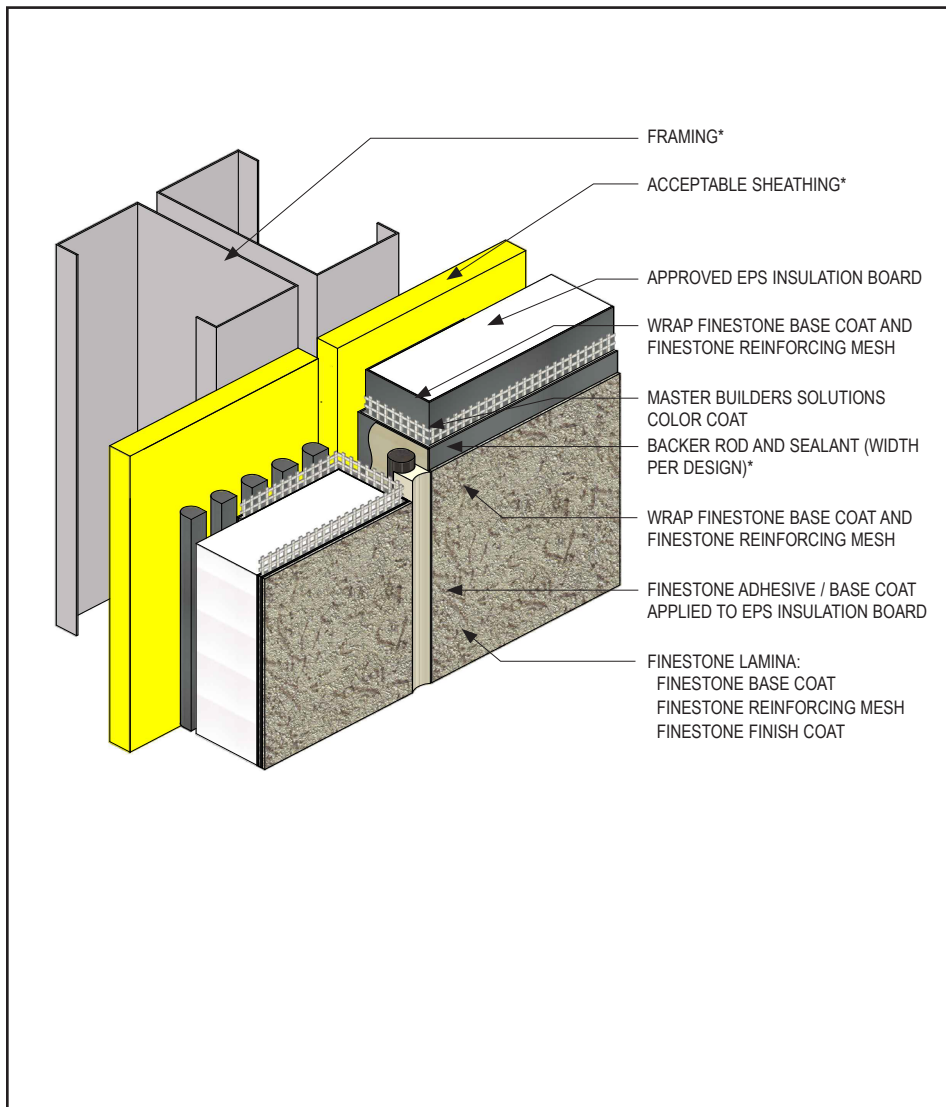
PB-14 0921

(*NOTE: BY OTHERS)

This detail represents Master Builders Solutions Construction Systems US, LLC (hereinafter Master Builders Solutions) latest recommendations. It is presented in good faith by Master Builders Solutions. The detail is subject to change without notice. Master Builders Solutions accepts no liability for the end use of the detail. For conditions not shown, consult Master Builders Solutions for review of specific detail.

Pebbletex Classic PB

TYPICAL EXPANSION JOINT



- Install Master Builders Solutions materials in accordance with current installation instructions.
- Unsatisfactory conditions shall be reported to the General Contractor and corrected before the application of Master Builders Solutions products.
- Verify all materials are installed in accordance with installation instructions.
- All terminations must be fully encapsulated with mesh reinforced base coat.
- Do not apply finish to areas that will receive sealant.
- Install expansion joints in the system at all changes in substrate, through existing expansion joints, floor lines in multi-level wood frame construction, and where movement is anticipated. It is the sole responsibility of the design professional to determine specific expansion joint location, placement and design.

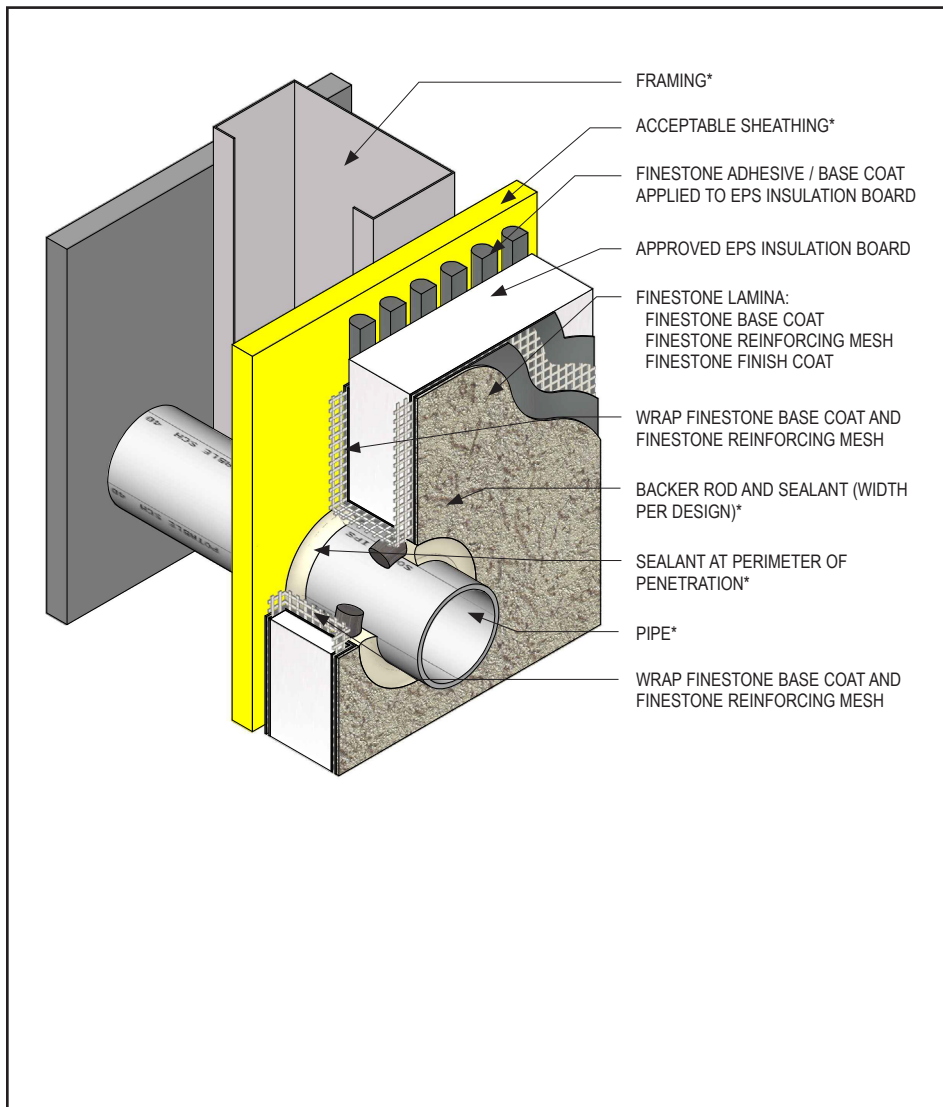
PB-15 0921

(*NOTE: BY OTHERS)

This detail represents Master Builders Solutions Construction Systems US, LLC (hereinafter Master Builders Solutions) latest recommendations. It is presented in good faith by Master Builders Solutions. The detail is subject to change without notice. Master Builders Solutions accepts no liability for the end use of the detail. For conditions not shown, consult Master Builders Solutions for review of specific detail.

Pebbletex Classic PB

TYPICAL FASTENING PATTERN



- Install Master Builders Solutions materials in accordance with current installation instructions.
- Unsatisfactory conditions shall be reported to the General Contractor and corrected before the application of Master Builders Solutions products.
- Verify all materials are installed in accordance with installation instructions.
- All terminations must be fully encapsulated with mesh reinforced base coat.
- Do not apply finish to areas that will receive sealant.
- Ensure all penetrations through the system are properly sealed.

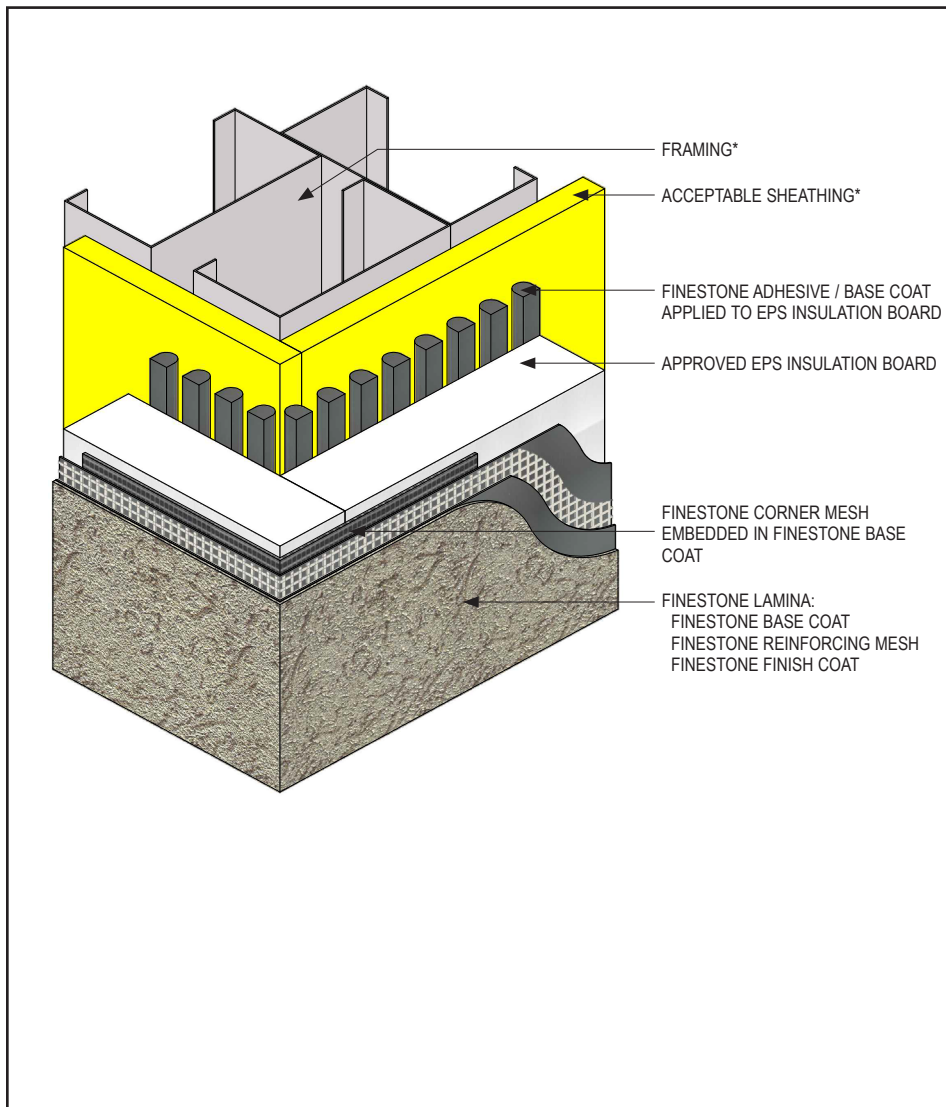
PB-16 0921

(*NOTE: BY OTHERS)

This detail represents Master Builders Solutions Construction Systems US, LLC (hereinafter Master Builders Solutions) latest recommendations. It is presented in good faith by Master Builders Solutions. The detail is subject to change without notice. Master Builders Solutions accepts no liability for the end use of the detail. For conditions not shown, consult Master Builders Solutions for review of specific detail.

Pebbletex Classic PB

TYPICAL CORNER MESH



- Install Master Builders Solutions materials in accordance with current installation instructions.
- Unsatisfactory conditions shall be reported to the General Contractor and corrected before the application of Master Builders Solutions products.
- Verify all materials are installed in accordance with installation instructions and applicable code.
- Ensure reinforcing mesh is continuously lapped a minimum of 8" (203 mm) around corners.
- Stagger vertical joints in EPS insulation board at corners.

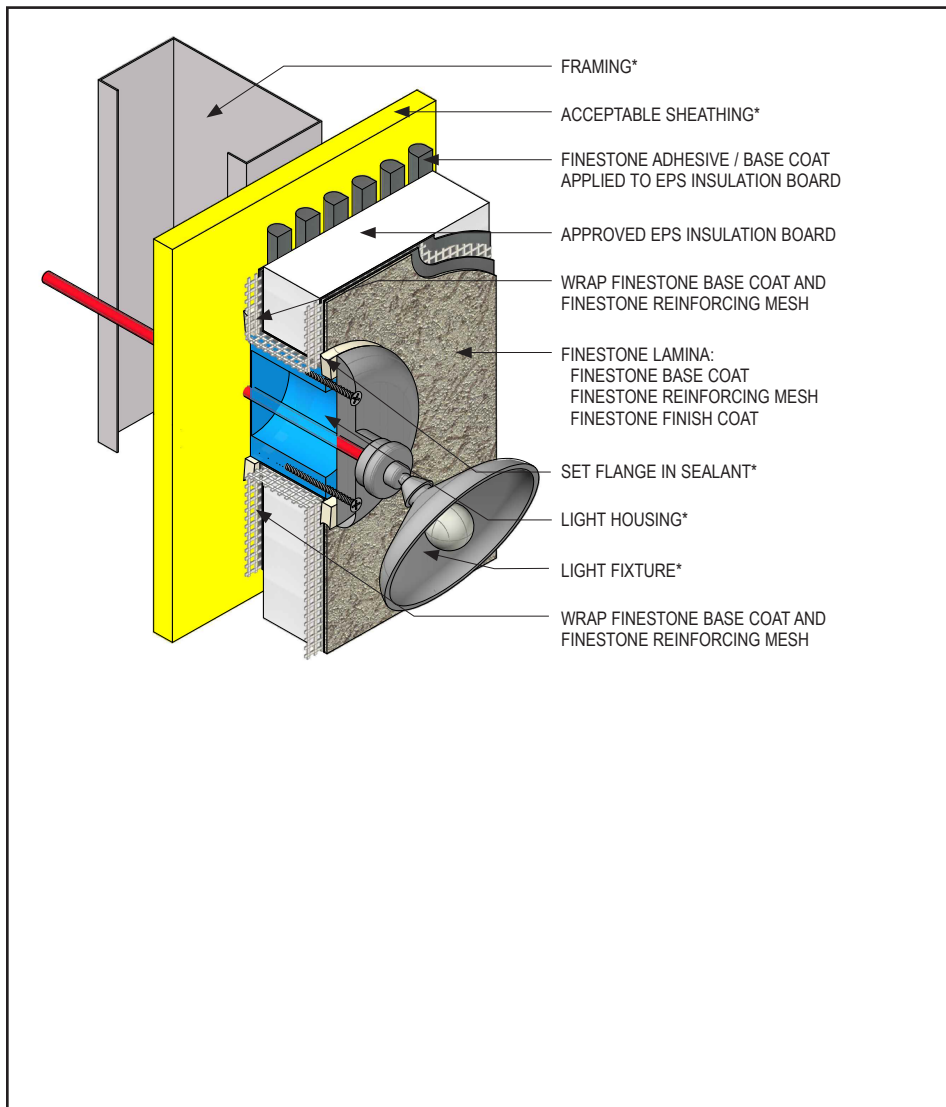
PB-17 0921

(*NOTE: BY OTHERS)

This detail represents Master Builders Solutions Construction Systems US, LLC (hereinafter Master Builders Solutions) latest recommendations. It is presented in good faith by Master Builders Solutions. The detail is subject to change without notice. Master Builders Solutions accepts no liability for the end use of the detail. For conditions not shown, consult Master Builders Solutions for review of specific detail.

Pebbletex Classic PB

TYPICAL LIGHT FIXTURE



- Install Master Builders Solutions materials in accordance with current installation instructions.
- Unsatisfactory conditions shall be reported to the General Contractor and corrected before the application of Master Builders Solutions products.
- Verify all materials are installed in accordance with installation instructions and applicable code.
- All terminations must be fully encapsulated with mesh reinforced base coat.
- Ensure all penetrations through the system are properly sealed.

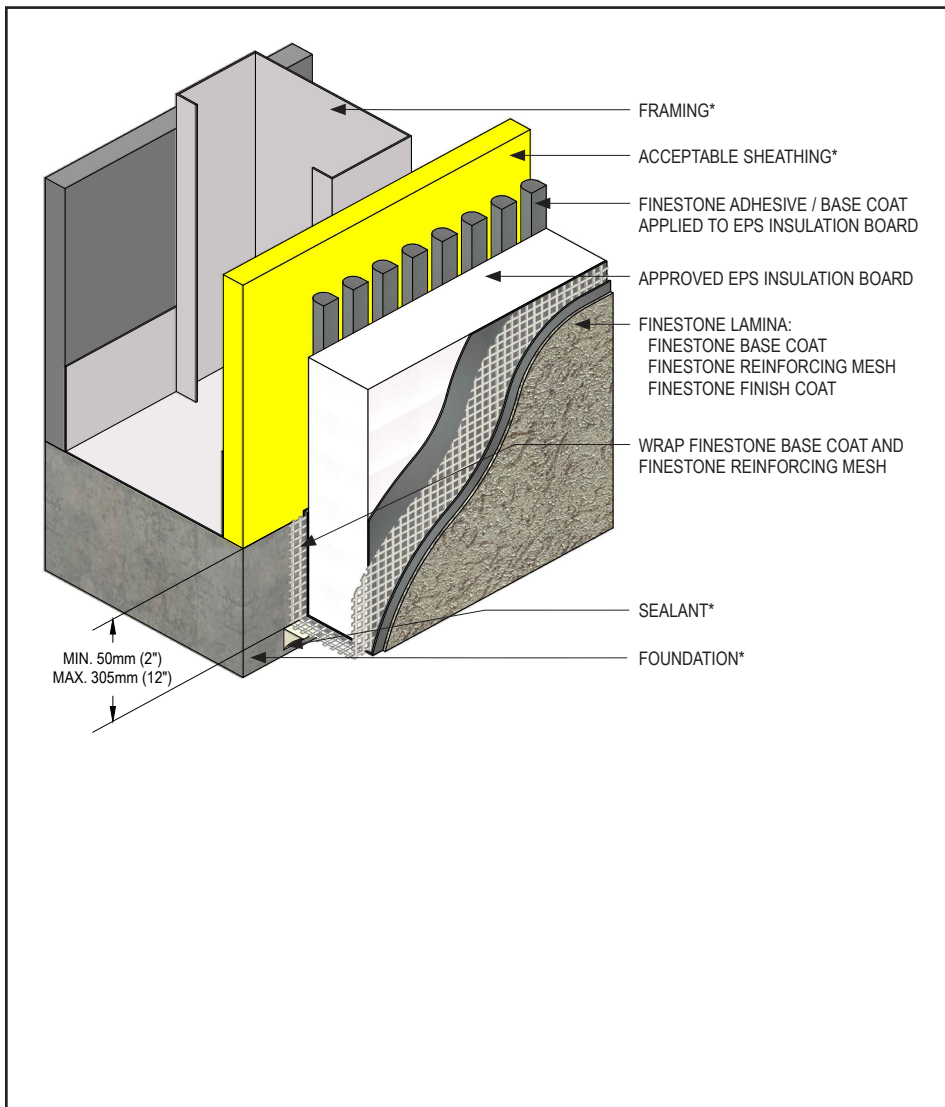
PB-18 0921

(*NOTE: BY OTHERS)

This detail represents Master Builders Solutions Construction Systems US, LLC (hereinafter Master Builders Solutions) latest recommendations. It is presented in good faith by Master Builders Solutions. The detail is subject to change without notice. Master Builders Solutions accepts no liability for the end use of the detail. For conditions not shown, consult Master Builders Solutions for review of specific detail.

Pebbletex Classic PB

TYPICAL TERMINATION AT FOUNDATION



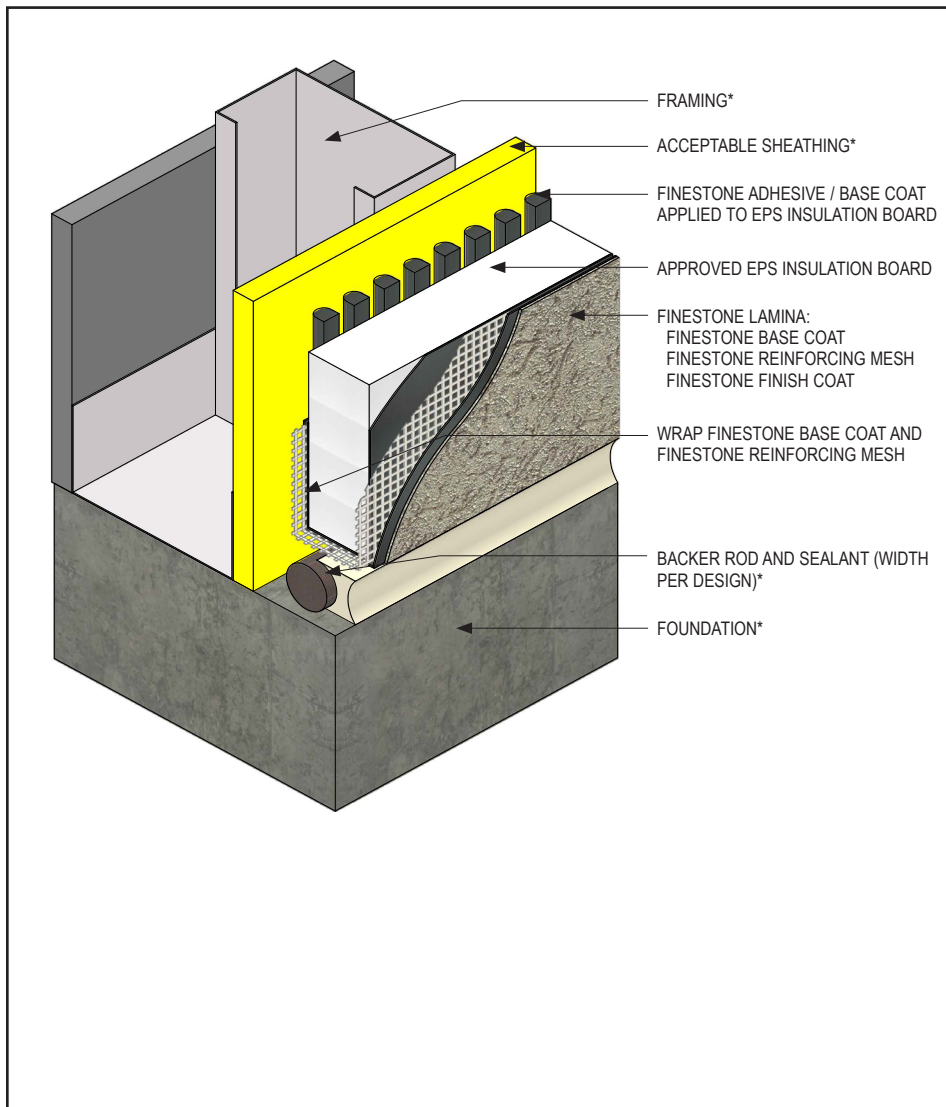
(*NOTE: BY OTHERS)

- Install Master Builders Solutions materials in accordance with current installation instructions.
- Unsatisfactory conditions shall be reported to the General Contractor and corrected before the application of Master Builders Solutions products.
- Verify all materials are installed in accordance with installation instructions and applicable code.
- All terminations must be fully encapsulated with mesh reinforced base coat.
- Terminate system a minimum of 8" (203 mm) above grade.
- Extend system a minimum of 2" (50 mm) and a maximum of 12" (305 mm) at the foundation transition.

This detail represents Master Builders Solutions Construction Systems US, LLC (hereinafter Master Builders Solutions) latest recommendations. It is presented in good faith by Master Builders Solutions. The detail is subject to change without notice. Master Builders Solutions accepts no liability for the end use of the detail. For conditions not shown, consult Master Builders Solutions for review of specific detail.

Pebbletex Classic PB

TYPICAL FASTENING PATTERN



- Install Master Builders Solutions materials in accordance with current installation instructions.
- Unsatisfactory conditions shall be reported to the General Contractor and corrected before the application of Master Builders Solutions products.
- Verify all materials are installed in accordance with installation instructions and applicable code.
- All terminations must be fully encapsulated with mesh reinforced base coat.
- Do not apply finish to areas that will receive sealant.

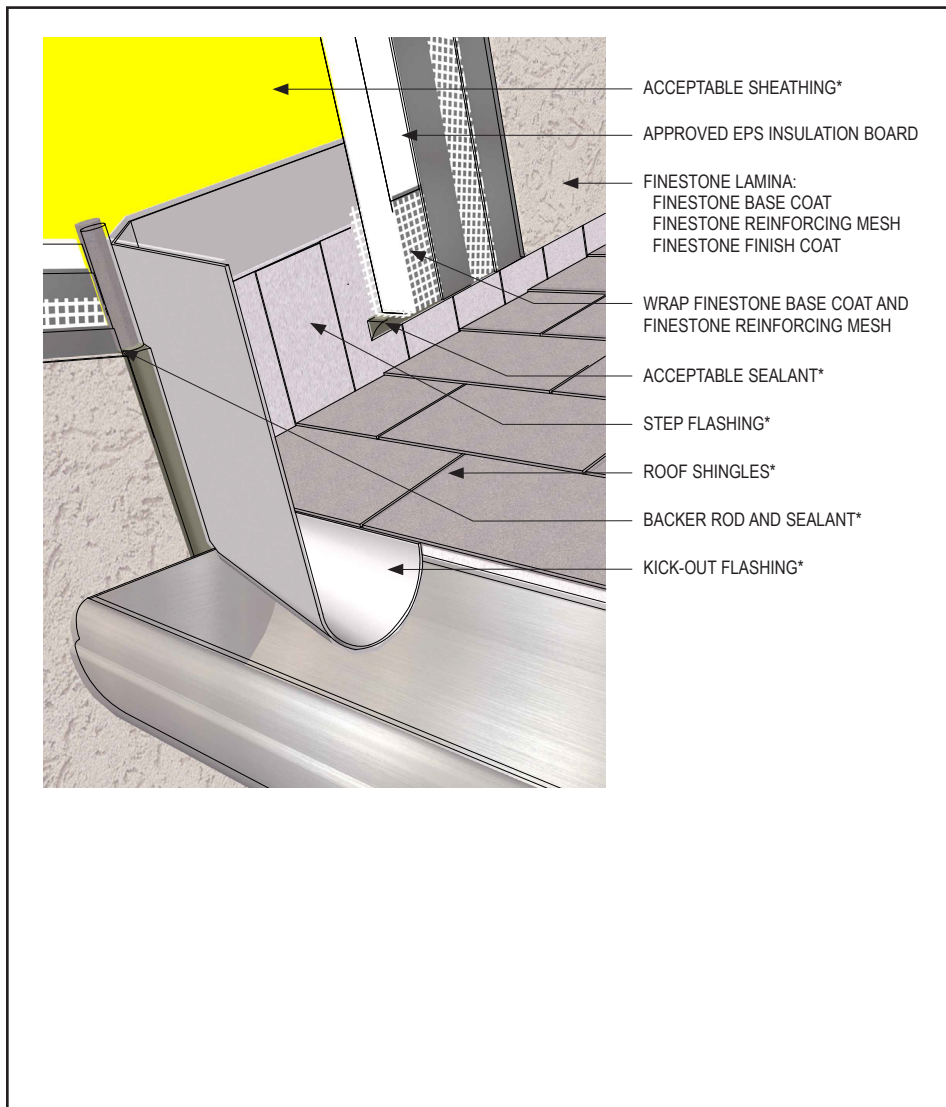
PB-20 0921

(*NOTE: BY OTHERS)

This detail represents Master Builders Solutions Construction Systems US, LLC (hereinafter Master Builders Solutions) latest recommendations. It is presented in good faith by Master Builders Solutions. The detail is subject to change without notice. Master Builders Solutions accepts no liability for the end use of the detail. For conditions not shown, consult Master Builders Solutions for review of specific detail.

Pebbletex Classic PB

TYPICAL KICK-OUT FLASHING



- Install Master Builders Solutions materials in accordance with current installation instructions.
- Unsatisfactory conditions shall be reported to the General Contractor and corrected before the application of Master Builders Solutions products.
- Verify all materials are installed in accordance with installation instructions.
- All terminations must be fully encapsulated with mesh reinforced base coat.
- Do not apply finish to areas that will receive sealant.
- Terminate system a minimum of 2" (50 mm) above roof.
- Ensure step flashing is a minimum of 2" (50 mm) behind system.
- Kick-out flashing shall be a minimum of 4" (102 mm) in height, angled at 100° minimum; seams must be soldered or sealed with appropriate sealant.

PB-21 0921

(*NOTE: BY OTHERS)

This detail represents Master Builders Solutions Construction Systems US, LLC (hereinafter Master Builders Solutions) latest recommendations. It is presented in good faith by Master Builders Solutions. The detail is subject to change without notice. Master Builders Solutions accepts no liability for the end use of the detail. For conditions not shown, consult Master Builders Solutions for review of specific detail.

Warranty

Master Builders Solutions Construction Systems US, LLC ("Master Builders") warrants this product to be free from manufacturing defects and to meet the technical properties on the current Technical Data Guide, if used as directed within shelf life. Satisfactory results depend not only on quality products but also upon many factors beyond our control. Master Builders MAKES NO OTHER WARRANTY OR GUARANTEE, EXPRESS OR IMPLIED, INCLUDING WARRANTIES OF MERCHANTABILITY OR FITNESS FOR A PARTICULAR PURPOSE WITH RESPECT TO ITS PRODUCTS. The sole and exclusive remedy of Purchaser for any claim concerning this product, including but not limited to, claims alleging breach of warranty, negligence, strict liability or otherwise, is shipment to purchaser of product equal to the amount of product that fails to meet this warranty or refund of the original purchase price of product that fails to meet this warranty, at the sole option of Master Builders. Any claims concerning this product must be received in writing within one (1) year from the date of shipment and any claims not presented within that period are waived by Purchaser. Master Builders WILL NOT BE RESPONSIBLE FOR ANY SPECIAL, INCIDENTAL, CONSEQUENTIAL (INCLUDING LOST PROFITS) OR PUNITIVE DAMAGES OF ANY KIND.

Purchaser must determine the suitability of the products for the intended use and assumes all risks and liabilities in connection therewith. This information and all further technical advice are based on Master Builders' present knowledge and experience. However, Master Builders assumes no liability for providing such information and advice including the extent to which such information and advice may relate to existing third party intellectual property rights, especially patent rights, nor shall any legal relationship be created by or arise from the provision of such information and advice. Master Builders reserves the right to make any changes according to technological progress or further developments. The Purchaser of the Product(s) must test the product(s) for suitability for the intended application and purpose before proceeding with a full application of the product(s). Performance of the product described herein should be verified by testing and carried out by qualified experts.

For professional use only. Not for sale to or use by the general public.

For the most current version of this literature, please visit our website at finestone.master-builders-solutions.com/en.

Master Builders Solutions Construction Systems US, LLC

889 Valley Park Drive, Shakopee, MN 55379
finestone.master-builders-solutions.com/en

Customer Service +1 (800) 433-9517
Technical Service +1 (800) 589-1336