



Finestop RA/RS/VB

Framed Construction Incorporating Fluid-Applied Vapor Permeable and Impermeable Air/Water-Resistive Barriers

Typical Details



A brand of
MASTER®
» BUILDERS
SOLUTIONS

Finestop RA/RS/VB

Typical Details

Framed Construction Incorporating Fluid-Applied Vapor Permeable and Impermeable Air/Water-Resistive Barriers

Table of Contents

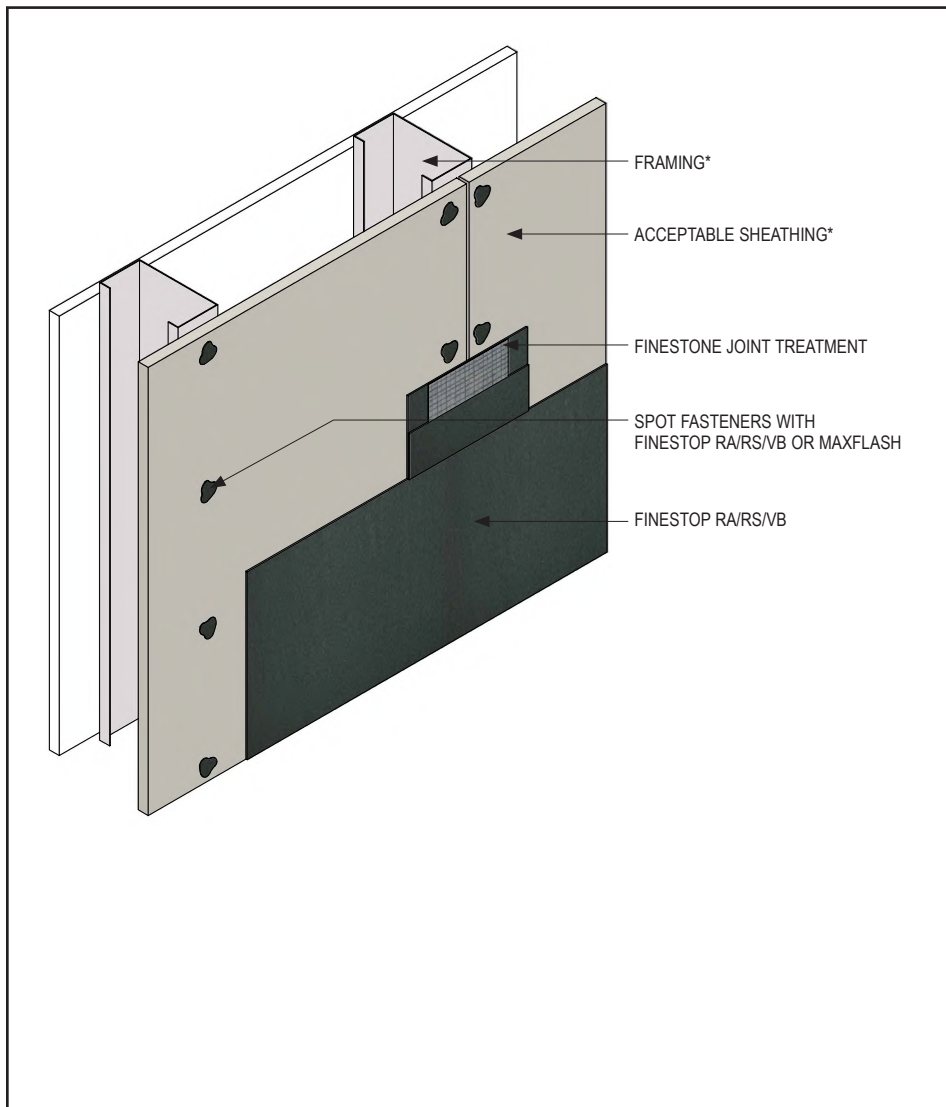
1. Typical Joint and Fastener Treatment
2. Typical Vertical Expansion Joint
3. Typical Rough Opening Corner Reinforcement
4. Typical Rough Opening Reinforcement with Sheathing Fabric
5. Typical Quick Corner Application
6. Typical Rough Opening Reinforcement with Quick Corners and Sheathing Fabric
7. Typical Rough Opening Reinforcement with Quick Corners and MasterSeal AWB 970 NP
8. Typical Penetration through Wall Construction (Fabric Only)
9. Typical through Wall Construction (with MaxFlash or Sealant)
10. Typical Penetration through Wall Construction (Rough Cut)
11. Typical Inside Corner Change in Substrate
12. Typical Inside Corner
13. Typical Outside Corner
14. Typical Window Flange Treatment
15. Typical Window Head
16. Typical Window Jamb
17. Typical Window Sill
18. Typical Pan Flashing
19. Typical Termination at Grade – Sheathing Overlapping Foundation
20. Typical Termination at Grade – Sheathing Flush with Foundation
21. Typical Brick Anchor Treatment
(Installed Prior to AWRB Application)
22. Typical Brick Anchor Treatment
(Installed After AWRB Application)
23. Typical Brick Expansion Joint
24. Typical Termination at Grade – Brick
25. Typical Termination at Foundation with Through Wall Flashing – Brick
26. Typical Termination at Foundation incorporating a Termination Bar with Through Wall Flashing – Brick
27. Typical Through Wall Flashing at Head – Brick
28. Typical Saddle Application incorporating Sheathing Fabric
29. Typical Saddle Application incorporating MasterSeal AWB 970 NP
30. Typical Kick-Out Flashing
31. Typical Roof Edge Flashing
32. Typical Parapet Cap Flashing

Notes:

- **Install Master Builders Solutions materials in accordance with current installation instructions.**
- **Unsatisfactory conditions shall be reported to the General Contractor and corrected before the application of Master Builders Solutions products.**
- **The details within represent Master Builders Solutions Construction Systems US, LLC (hereinafter Master Builders Solutions) latest recommendations. They are presented in good faith by Master Builders Solutions. The details are subject to change without notice. Master Builders Solutions accepts no liability for the end use of the details. For conditions not shown, consult Master Builders Solutions for review of specific detail.**

Finestop RA/RS/VB

TYPICAL JOINT AND FASTENER TREATMENT



- Install Master Builders Solutions materials in accordance with current installation instructions.
- Unsatisfactory conditions shall be reported to the General Contractor and corrected before the application of Master Builders Solutions products.
- Ensure all fastener heads are spotted with Finestop RA/RS/VB or MaxFlash. Spotting fasteners at sheathing joints is optional.
- For more information, reference the Air/Water-Resistive/Vapor Barrier Application Guidelines technical bulletin.
- Finestop Joint Treatment Options: MaxFlash, Sheathing Fabric embedded in Finestop RA/RS/VB or MasterSeal AWB 970 NP.
- Sheathing Fabric, MaxFlash and MasterSeal AWB 970 NP are produced by Master Builders Solutions
- Sheathing Fabric can treat joints up to 1/4" wide. MaxFlash can treat joints up to 1/2" wide.

Note: Not for use at expansion joints

AWRB-01

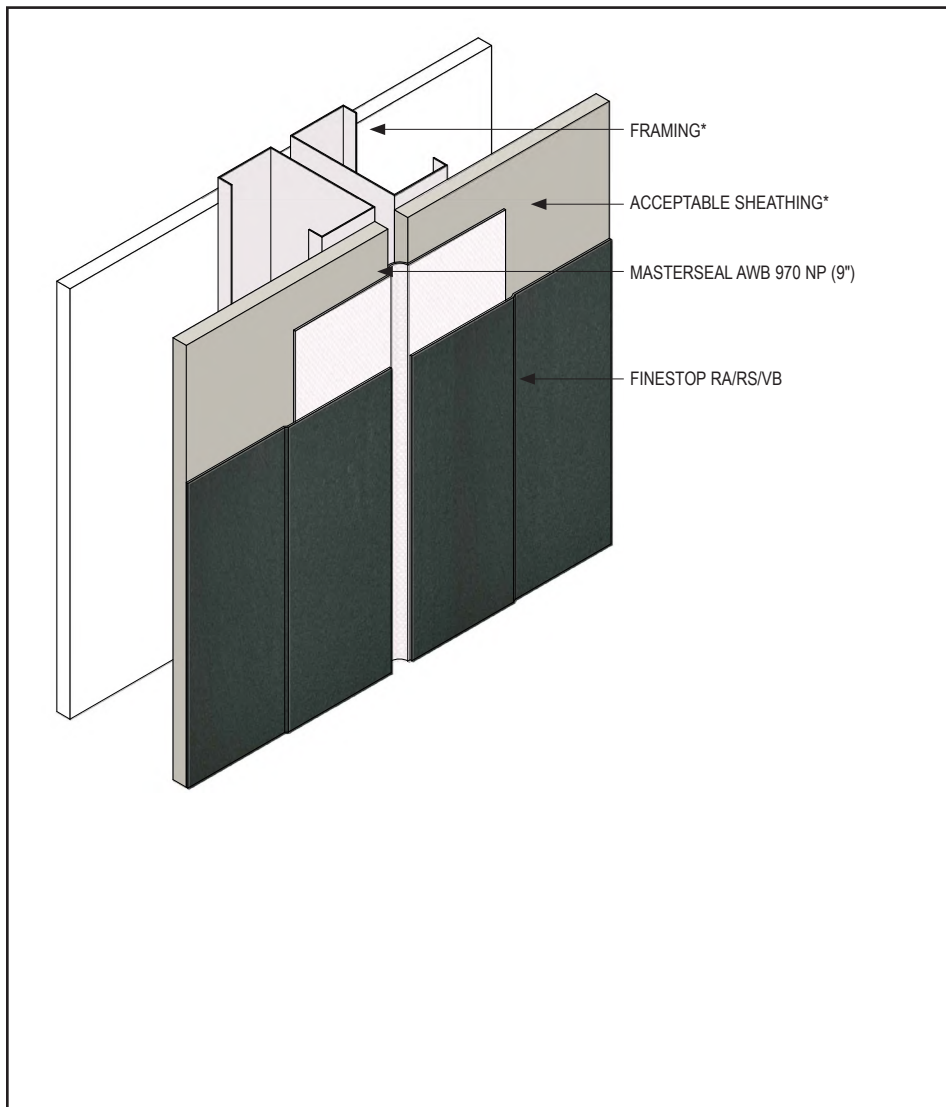
2109

(*NOTE: BY OTHERS)

This detail represents Master Builders Solutions Construction Systems US, LLC (hereinafter Master Builders Solutions) latest recommendations. It is presented in good faith by Master Builders Solutions. The detail is subject to change without notice. Master Builders Solutions accepts no liability for the end use of the detail. For conditions not shown, consult Master Builders Solutions for review of specific detail.

Finestop RA/RS/VB

TYPICAL VERTICAL EXPANSION JOINT



- Install Master Builders Solutions materials in accordance with current installation instructions.
- Unsatisfactory conditions shall be reported to the General Contractor and corrected before the application of Master Builders Solutions products.
- Provide sufficient slack in the MasterSeal AWB 970 NP at expansion joint to allow for movement.
- Fully Coat MasterSeal AWB 970 NP with Finestop RA/RS/VB.

AWRB-02

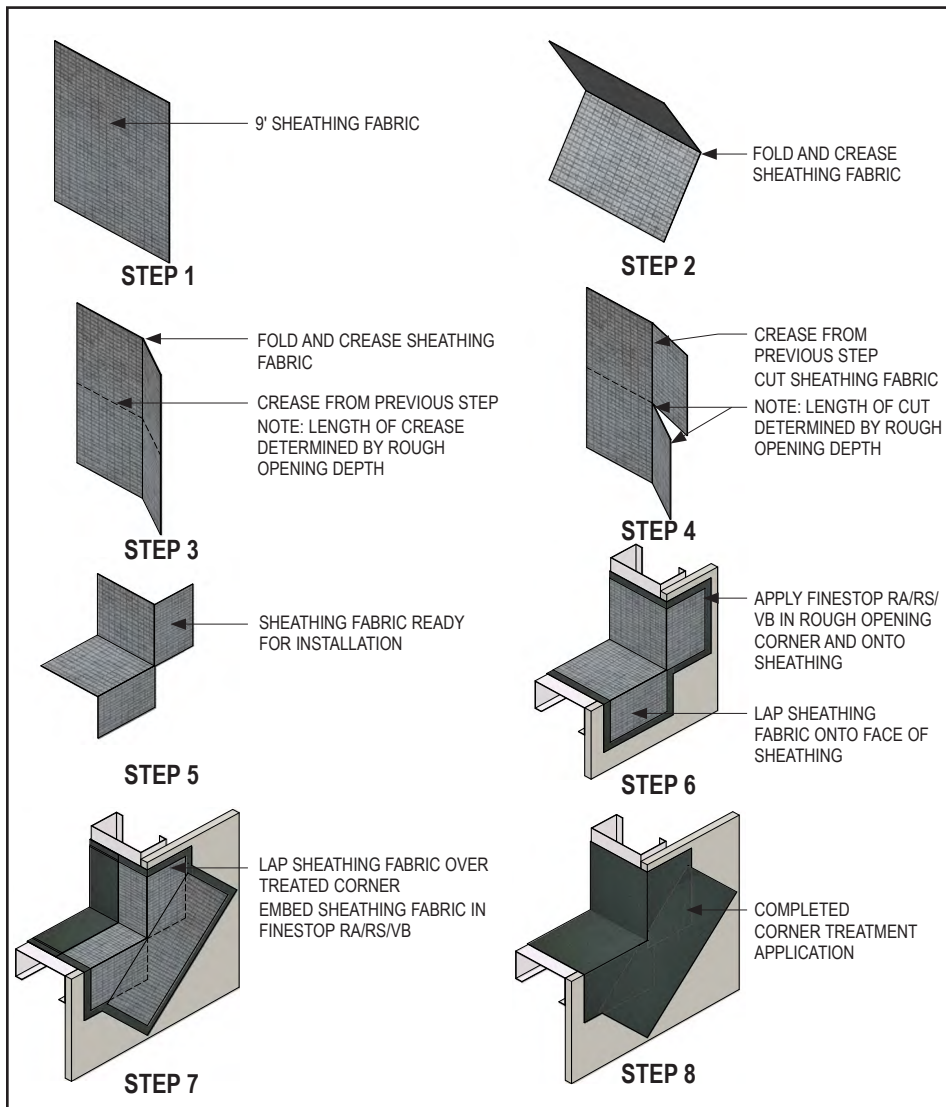
2109

(*NOTE: BY OTHERS)

This detail represents Master Builders Solutions Construction Systems US, LLC (hereinafter Master Builders Solutions) latest recommendations. It is presented in good faith by Master Builders Solutions. The detail is subject to change without notice. Master Builders Solutions accepts no liability for the end use of the detail. For conditions not shown, consult Master Builders Solutions for review of specific detail.

Finestop RA/RS/VB

TYPICAL ROUGH OPENING CORNER REINFORCEMENT



AWRB-03

2109

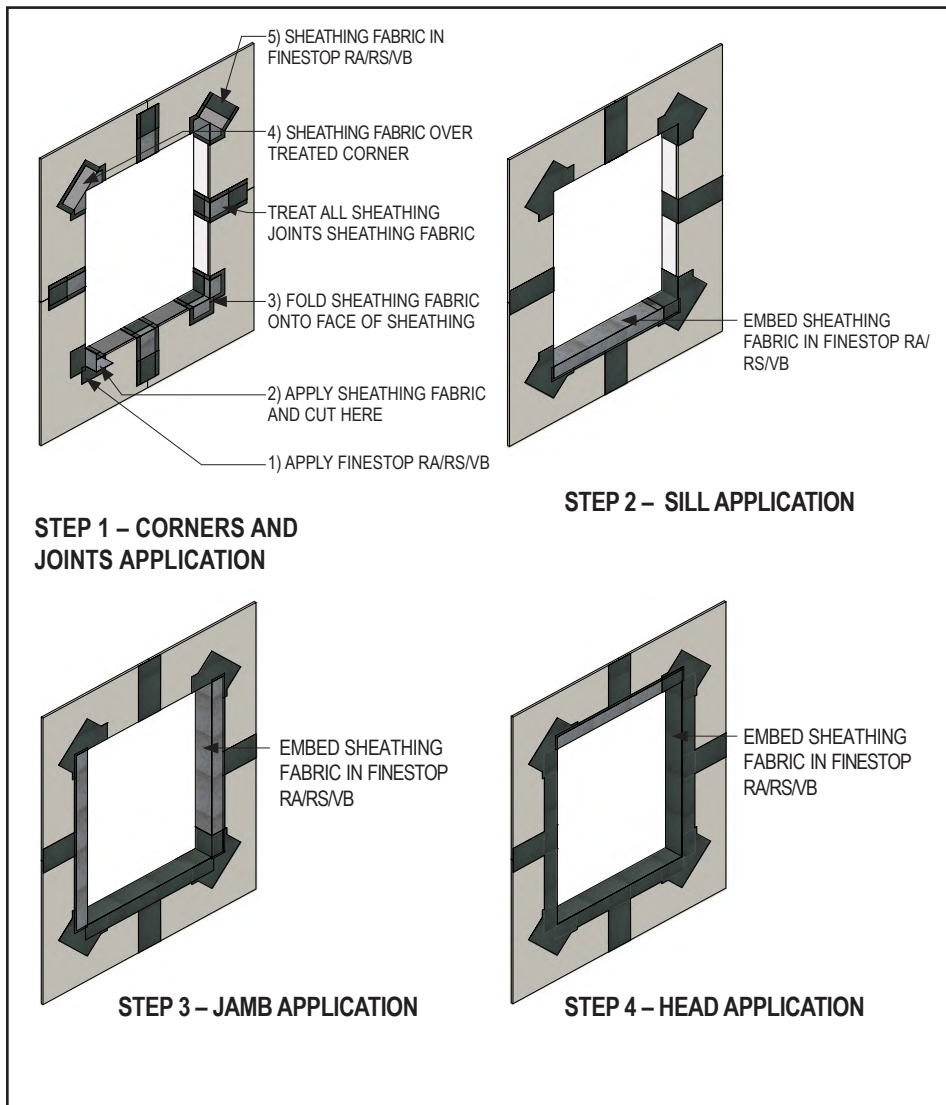
(*NOTE: BY OTHERS)

- Install Master Builders Solutions materials in accordance with current installation instructions.
- Unsatisfactory conditions shall be reported to the General Contractor and corrected before the application of Master Builders Solutions products.
- Install Master Builders Solutions materials in accordance with current installation instructions.
- Wrap rough opening in accordance with Detail AWRB-04, AWRB-06 or AWRB-07.
- Sheathing Fabric is produced by Master Builders Solutions.

This detail represents Master Builders Solutions Construction Systems US, LLC (hereinafter Master Builders Solutions) latest recommendations. It is presented in good faith by Master Builders Solutions. The detail is subject to change without notice. Master Builders Solutions accepts no liability for the end use of the detail. For conditions not shown, consult Master Builders Solutions for review of specific detail.

Finestop RA/RS/VB

TYPICAL ROUGH OPENING REINFORCEMENT WITH SHEATHING FABRIC



- Install Master Builders Solutions materials in accordance with current installation instructions.
- Unsatisfactory conditions shall be reported to the General Contractor and corrected before the application of Master Builders Solutions products.
- Install Master Builders Solutions materials in accordance with current installation instructions.
- Ensure Sheathing Fabric is embedded in Finestop RA/RS/VB.
- Ensure Finestop RA/RS/VB and Sheathing Fabric are installed without voids.
- Apply MasterSeal AWB 970 NP over punched stud openings.
- Apply MasterSeal AWB 970 NP over punched stud openings.
- Sheathing Fabric and MasterSeal AWB 970 NP are produced by Master Builders Solutions.

AWRB-04

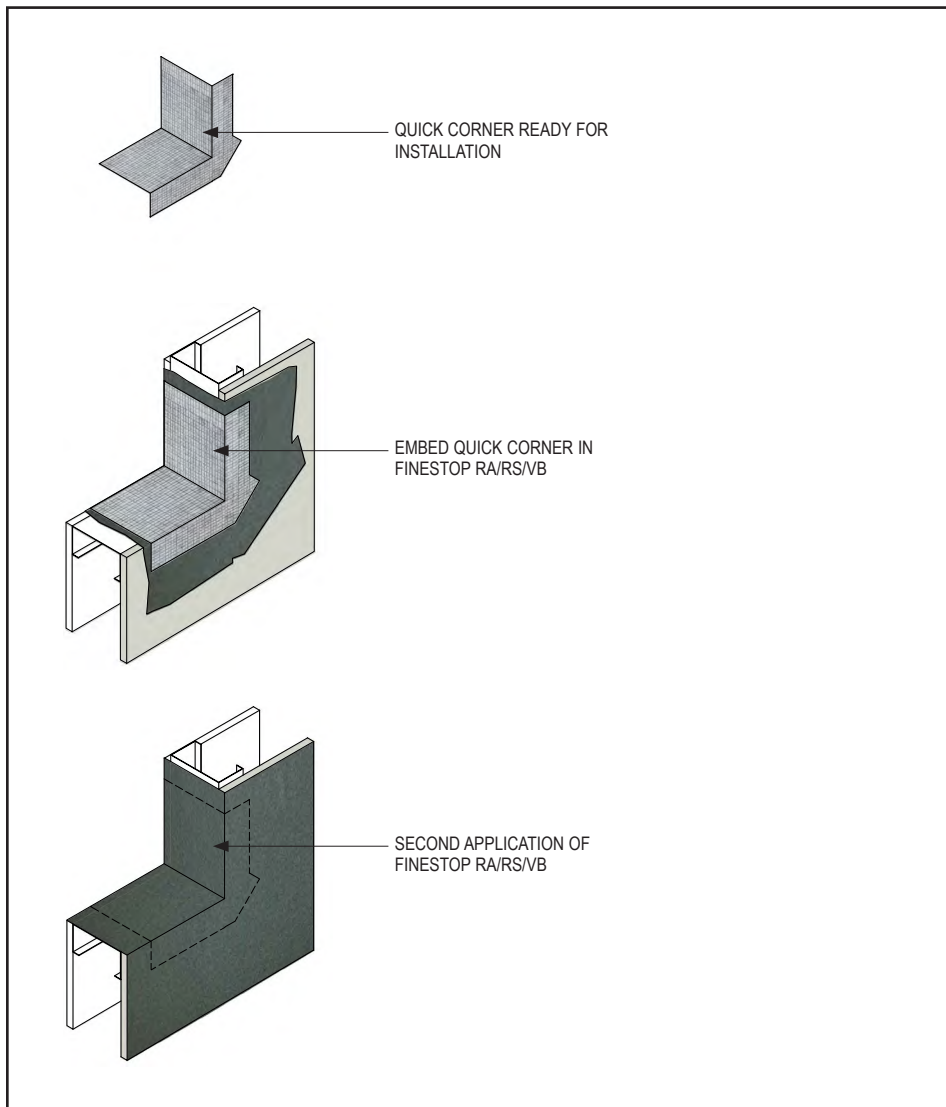
2109

(*NOTE: BY OTHERS)

This detail represents Master Builders Solutions Construction Systems US, LLC (hereinafter Master Builders Solutions) latest recommendations. It is presented in good faith by Master Builders Solutions. The detail is subject to change without notice. Master Builders Solutions accepts no liability for the end use of the detail. For conditions not shown, consult Master Builders Solutions for review of specific detail.

Finestop RA/RS/VB

TYPICAL QUICK CORNER APPLICATION



AWRB-05

2109

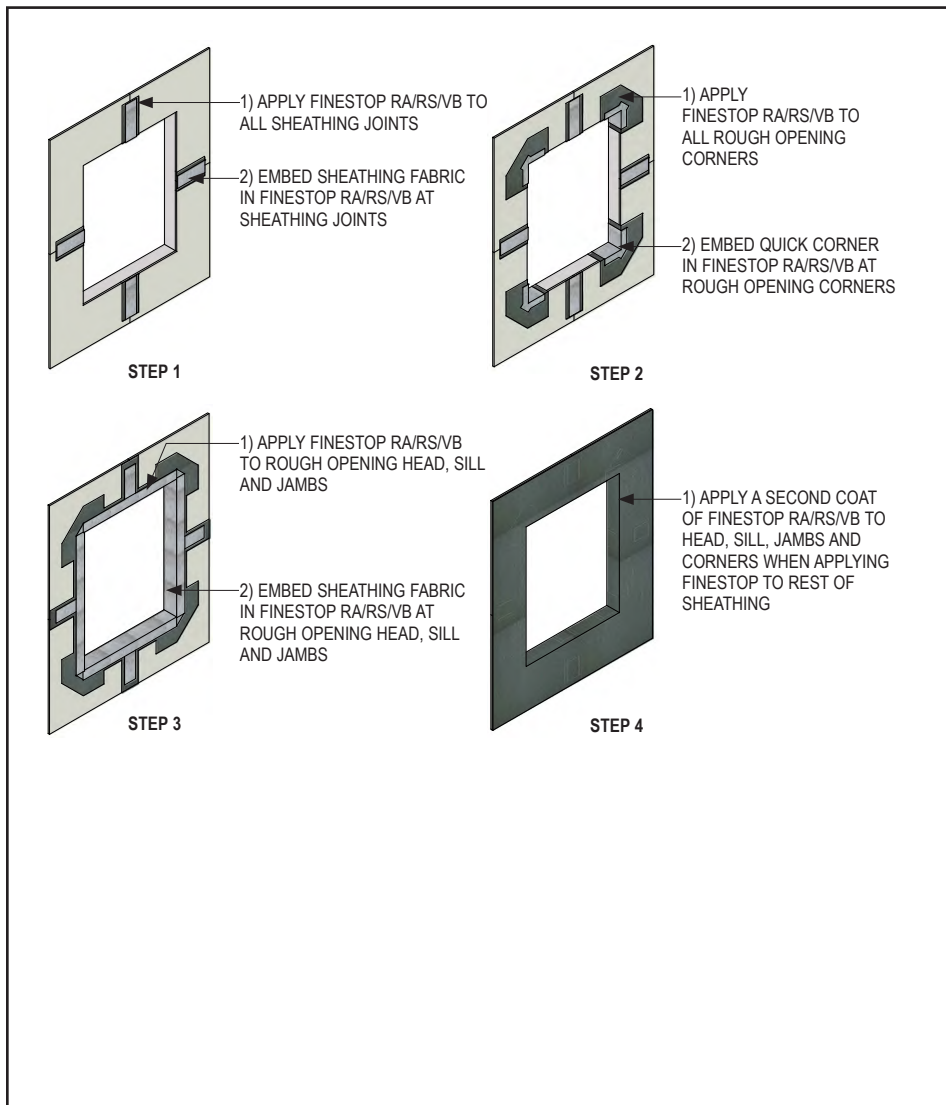
(*NOTE: BY OTHERS)

- Install Master Builders Solutions materials in accordance with current installation instructions.
- Unsatisfactory conditions shall be reported to the General Contractor and corrected before the application of Master Builders Solutions products.
- For more information, Air/Water-Resistive/Vapor Barrier Application Guidelines technical bulletin.
- Sheathing Fabric and Quick Corners are produced by Master Builders Solutions.

This detail represents Master Builders Solutions Construction Systems US, LLC (hereinafter Master Builders Solutions) latest recommendations. It is presented in good faith by Master Builders Solutions. The detail is subject to change without notice. Master Builders Solutions accepts no liability for the end use of the detail. For conditions not shown, consult Master Builders Solutions for review of specific detail.

Finestop RA/RS/VB

TYPICAL ROUGH OPENING CORNER TREATMENT WITH QUICK CORNERS AND MASTERSEAL AWB 970 NP



- Install Master Builders Solutions materials in accordance with current installation instructions.
- Unsatisfactory conditions shall be reported to the General Contractor and corrected before the application of Master Builders Solutions products.
- Apply Master Builders Solutions MasterSeal AWB 970 NP over punched stud openings.
- For more information, reference the *Air/Water-Resistive/Vapor Barrier Application Guidelines technical bulletin*.
- Sheathing Fabric and MasterSeal AWB 970 NP are produced by Master Builders Solutions.
- Fully Coat MasterSeal AWB 970 NP with Finestop RA/RS/VB.

AWRB-06

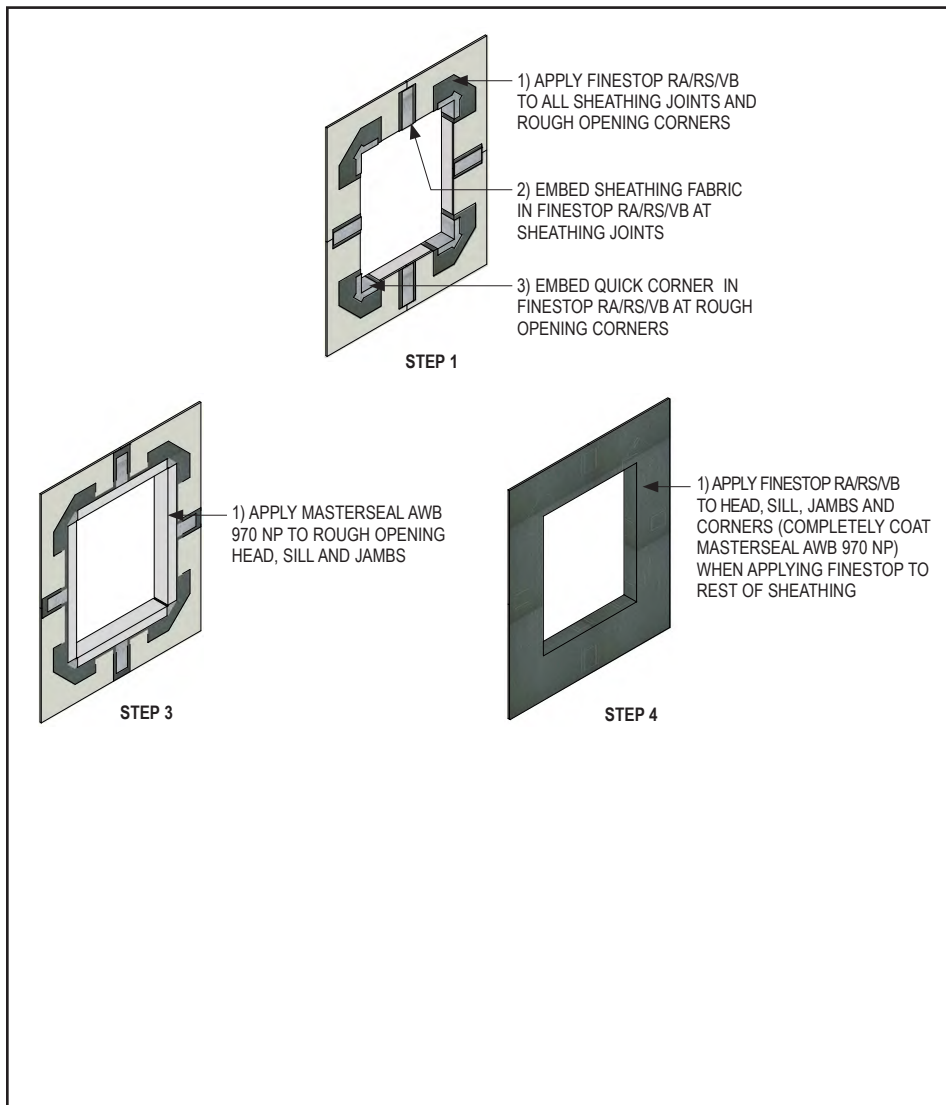
2109

(*NOTE: BY OTHERS)

This detail represents Master Builders Solutions Construction Systems US, LLC (hereinafter Master Builders Solutions) latest recommendations. It is presented in good faith by Master Builders Solutions. The detail is subject to change without notice. Master Builders Solutions accepts no liability for the end use of the detail. For conditions not shown, consult Master Builders Solutions for review of specific detail.

Finestop RA/RS/VB

TYPICAL ROUGH OPENING CORNER TREATMENT WITH QUICK CORNERS AND MASTERSEAL AWB 970 NP



- Install Master Builders Solutions materials in accordance with current installation instructions.
- Unsatisfactory conditions shall be reported to the General Contractor and corrected before the application of Master Builders Solutions products.
- For more information, reference the *Finestop Application Guidelines for Joint Treatment and Flashing Rough Openings on Framed Construction* technical bulletin.

AWRB-07

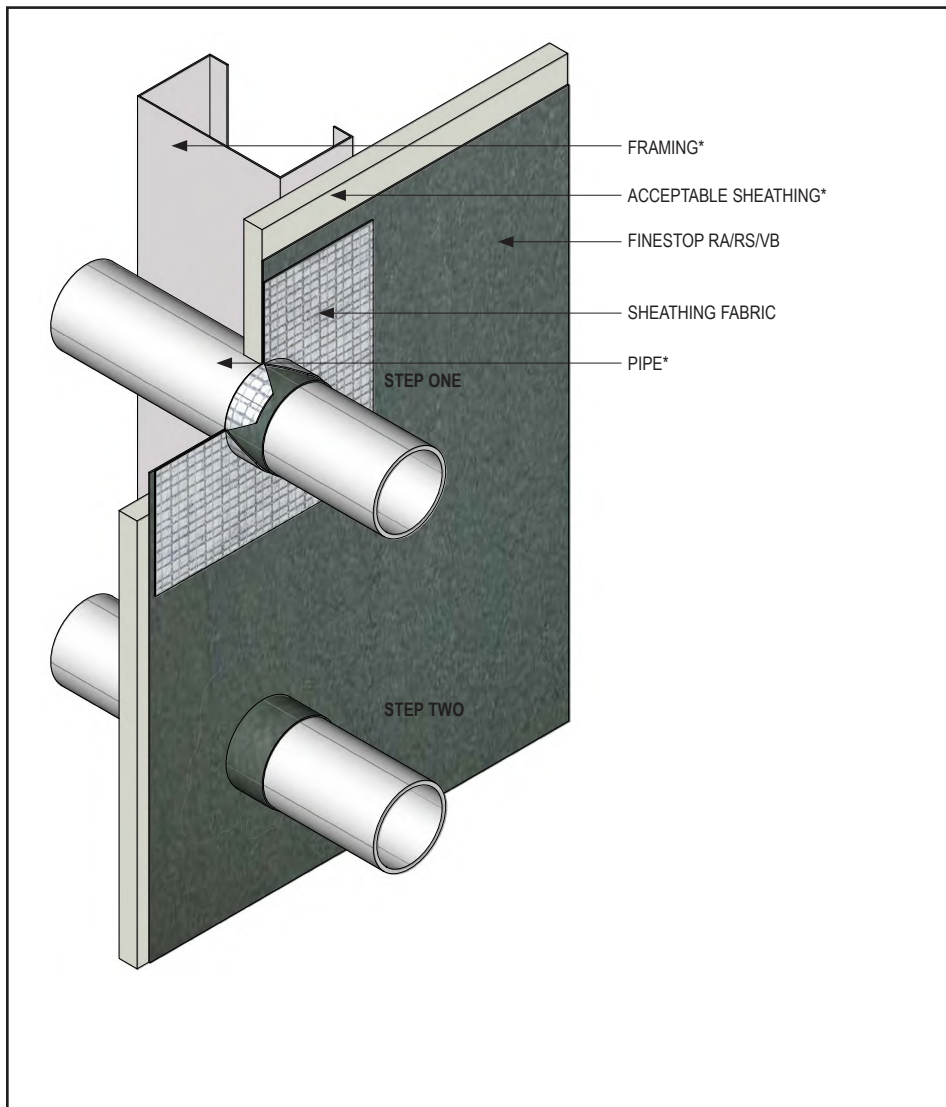
2109

(*NOTE: BY OTHERS)

This detail represents Master Builders Solutions Construction Systems US, LLC (hereinafter Master Builders Solutions) latest recommendations. It is presented in good faith by Master Builders Solutions. The detail is subject to change without notice. Master Builders Solutions accepts no liability for the end use of the detail. For conditions not shown, consult Master Builders Solutions for review of specific detail.

Finestop RA/RS/VB

TYPICAL PENETRATION THROUGH WALL CONSTRUCTION (FABRIC ONLY)



- Install Master Builders Solutions materials in accordance with current installation instructions.
- Unsatisfactory conditions shall be reported to the General Contractor and corrected before the application of Master Builders Solutions products.
- Cut a square piece of Sheathing Fabric large enough to extend past the pipe by 2" in each direction.
- At the center of the square piece of Sheathing Fabric, pierce a small hole with a blade or scissors.
- With a blade or scissors, cut an "X". Turn the square about 45° and cut another X. The center point of both "X"s will be the point you pierced previously.
- Insert the pipe through the newly cut square so it is centered with a minimum of 2" on each side with the cut flaps point outward. The square should be flush with the sheathing, See Step 1.
- Embed the Sheathing Fabric in Finestop RA/RS/VB and coat the flaps around the pipe, See Step 2.
- Wrap a 1" strip of Sheathing Fabric embedded in Finestop RA/RS/VB around the flaps.
- Sheathing Fabric is produced by Master Builders Solutions.

AWRB-08

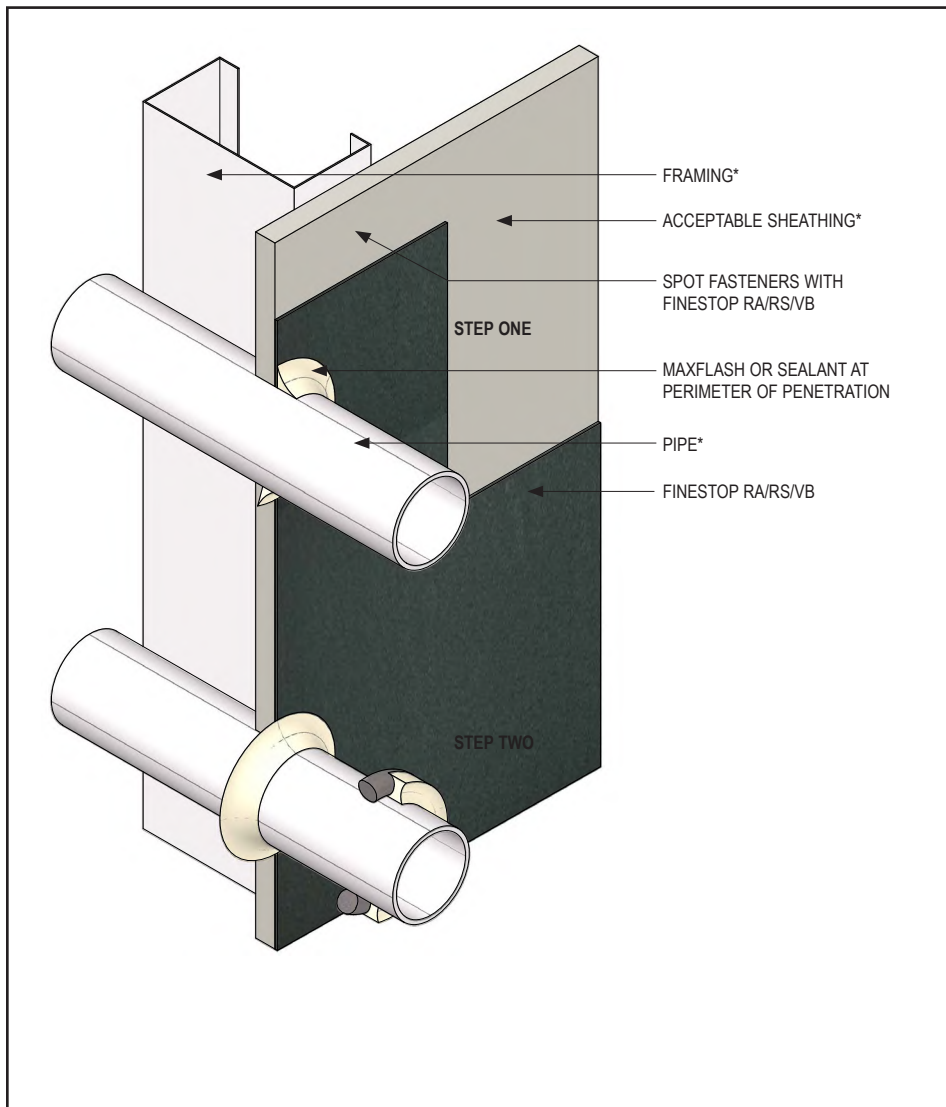
2109

(*NOTE: BY OTHERS)

This detail represents Master Builders Solutions Construction Systems US, LLC (hereinafter Master Builders Solutions) latest recommendations. It is presented in good faith by Master Builders Solutions. The detail is subject to change without notice. Master Builders Solutions accepts no liability for the end use of the detail. For conditions not shown, consult Master Builders Solutions for review of specific detail.

Finestop RA/RS/VB

TYPICAL PENETRATION THROUGH WALL CONSTRUCTION (WITH MAXFLASH OR SEALANT)



- Install Master Builders Solutions materials in accordance with current installation instructions.
- Unsatisfactory conditions shall be reported to the General Contractor and corrected before the application of Master Builders Solutions products.
- Finestop RA/RS/VB with Sheathing Fabric may be used as an alternate to provide an air/water-resistive barrier around penetrations. See detail AWRB-08.
- Provide backer rod and MasterSeal NP 150 or equal between pipe and cladding (by others).
- MaxFlash is produced by Master Builders Solutions.

AWRB-09

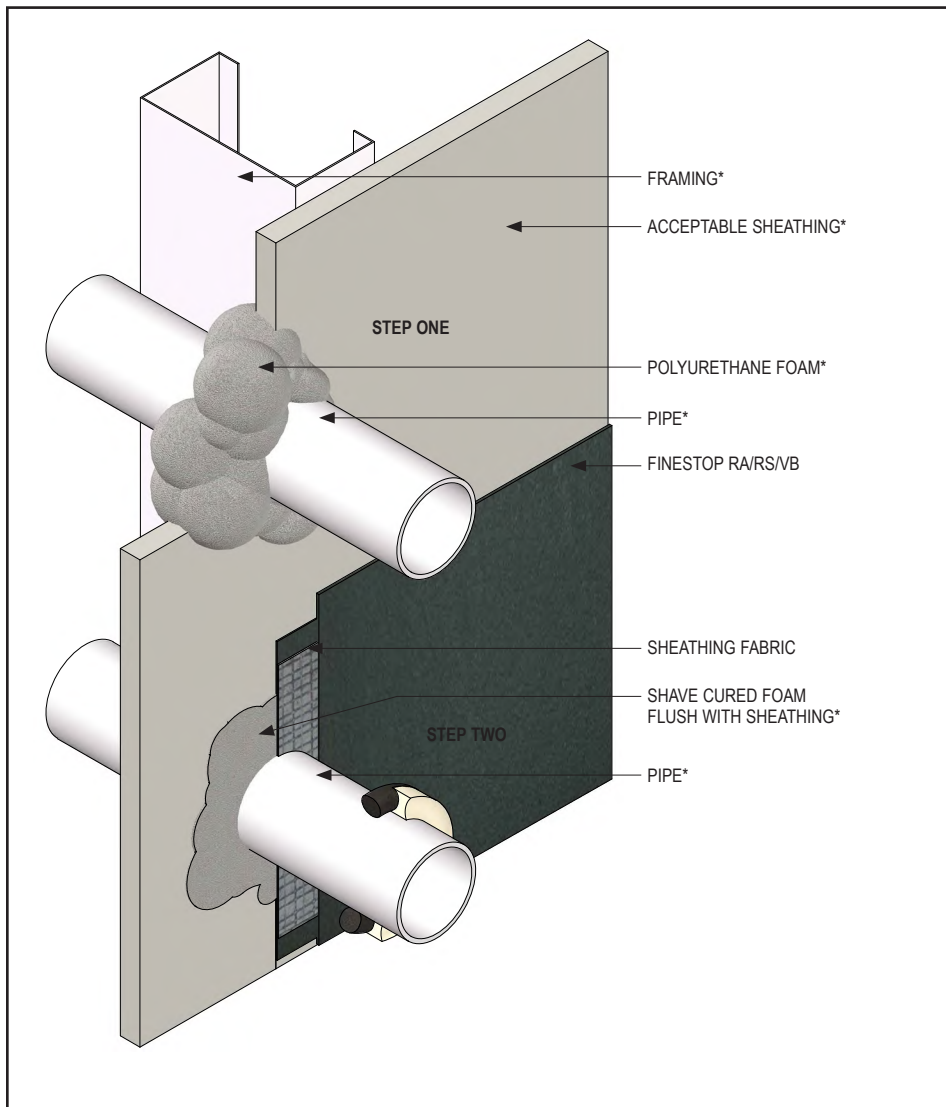
2109

(*NOTE: BY OTHERS)

This detail represents Master Builders Solutions Construction Systems US, LLC (hereinafter Master Builders Solutions) latest recommendations. It is presented in good faith by Master Builders Solutions. The detail is subject to change without notice. Master Builders Solutions accepts no liability for the end use of the detail. For conditions not shown, consult Master Builders Solutions for review of specific detail.

Finestop RA/RS/VB

TYPICAL PENETRATION THROUGH WALL CONSTRUCTION (ROUGH CUT)



- Install Master Builders Solutions materials in accordance with current installation instructions.
- Unsatisfactory conditions shall be reported to the General Contractor and corrected before the application of Master Builders Solutions products.
- Ensure spray foam is low expansion.
- Provide backer rod and MasterSeal NP 150 or equal between pipe and cladding (by others).
- Embed Master Builders Solutions Sheathing Fabric in Finestop RA/RS/VB.
- Follow detail AWRB-08 for installation of Sheathing Fabric and Finestop RA/RS/VB at penetration.
- Sheathing Fabric is produced by Master Builders Solutions.

AWRB-10

2109

(*NOTE: BY OTHERS)

This detail represents Master Builders Solutions Construction Systems US, LLC (hereinafter Master Builders Solutions) latest recommendations. It is presented in good faith by Master Builders Solutions. The detail is subject to change without notice. Master Builders Solutions accepts no liability for the end use of the detail. For conditions not shown, consult Master Builders Solutions for review of specific detail.

Finestop RA/RS/VB

TYPICAL INSIDE CORNER CHANGE IN SUBSTRATE



- Install Master Builders Solutions materials in accordance with current installation instructions.
- Unsatisfactory conditions shall be reported to the General Contractor and corrected before the application of Master Builders Solutions products.
- Fully Coat MasterSeal AWB 970 NP with Finestop RA/RS/VB.

AWRB-11

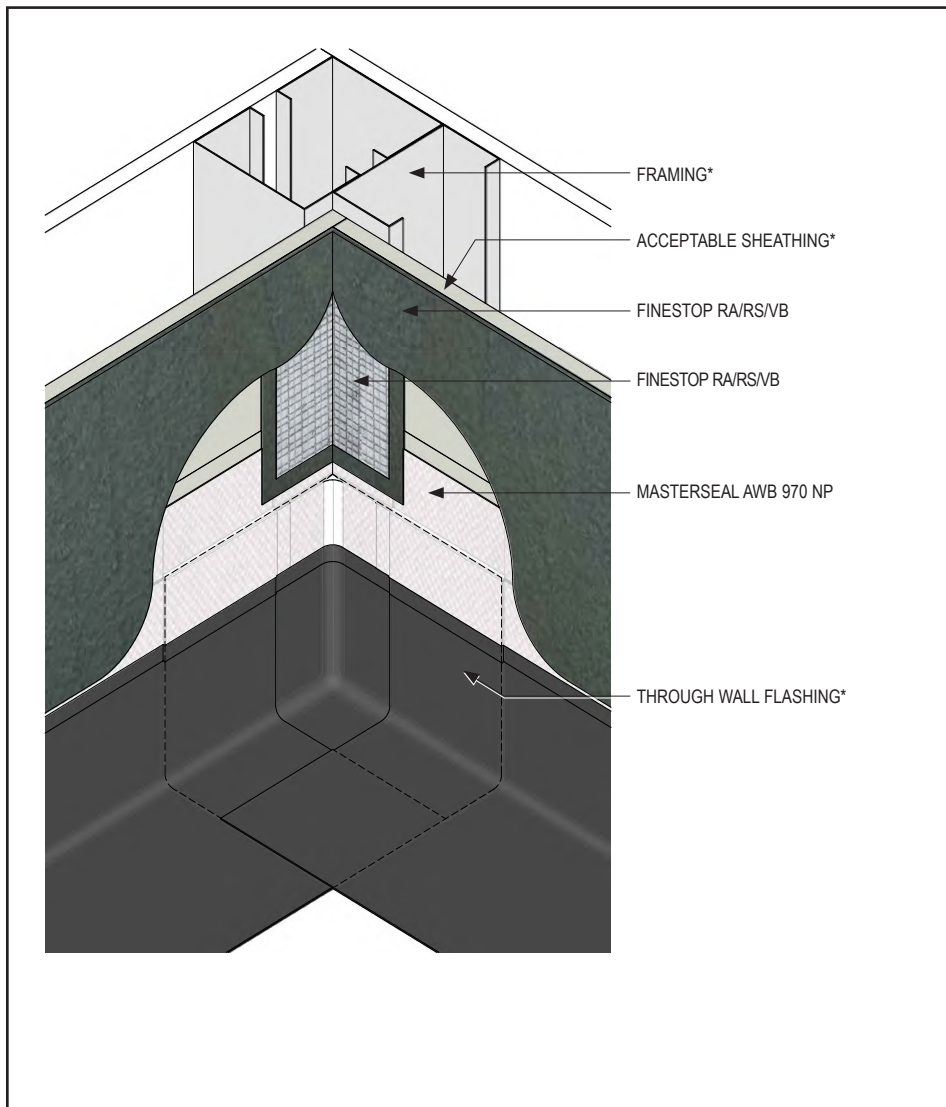
2109

(*NOTE: BY OTHERS)

This detail represents Master Builders Solutions Construction Systems US, LLC (hereinafter Master Builders Solutions) latest recommendations. It is presented in good faith by Master Builders Solutions. The detail is subject to change without notice. Master Builders Solutions accepts no liability for the end use of the detail. For conditions not shown, consult Master Builders Solutions for review of specific detail.

Finestop RA/RS/VB

TYPICAL INSIDE CORNER



- Install Master Builders Solutions materials in accordance with current installation instructions.
- Unsatisfactory conditions shall be reported to the General Contractor and corrected before the application of Master Builders Solutions products.
- Center MasterSeal AWB 970 NP so half of the width covers through wall flashing and half covers substrate.
- A termination bar and MasterSeal NP 150 sealant can be used instead of MasterSeal AWB 970 NP (See detail AWRB-33).
- Lap Finestone joint treatment a minimum of 2" over MasterSeal AWB 970 NP.
- If using a termination bar, Finestone joint treatment must be beneath through wall flashing membrane.

AWRB-12

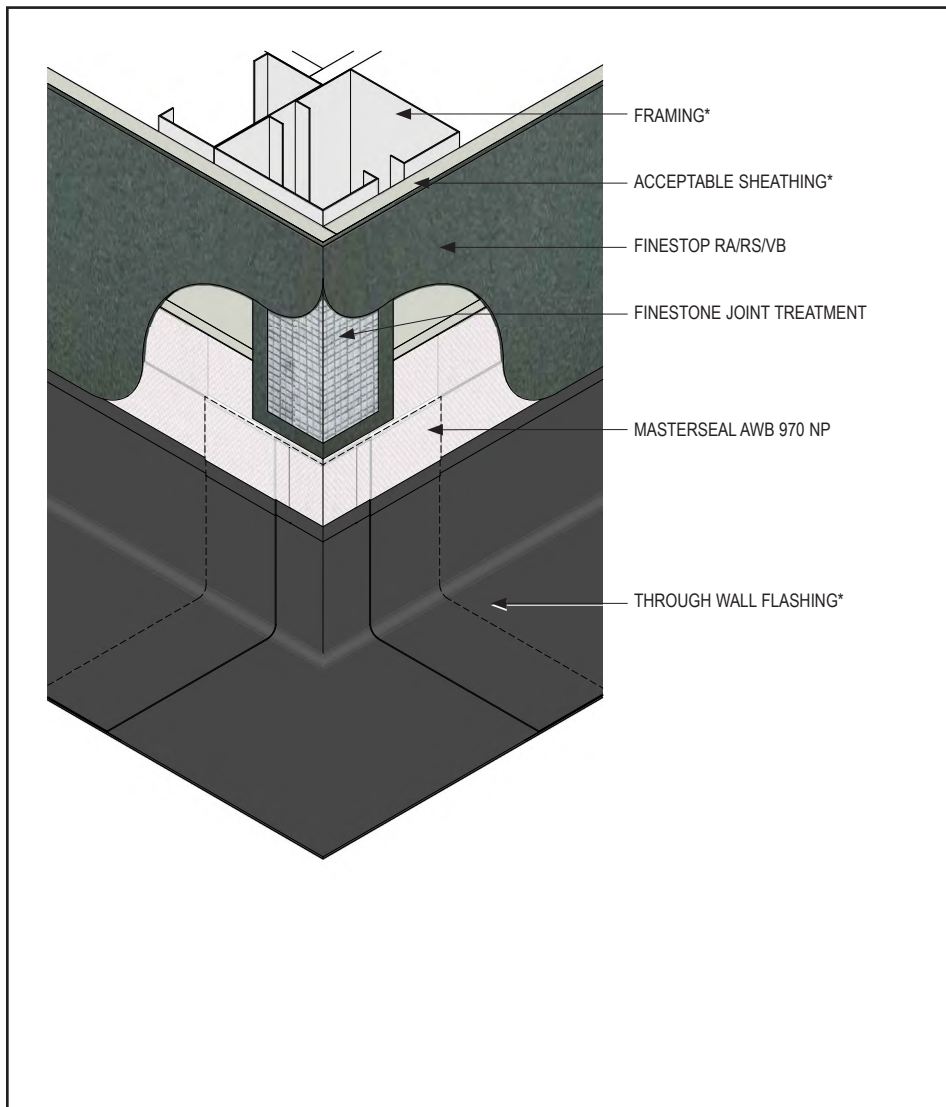
2109

(*NOTE: BY OTHERS)

This detail represents Master Builders Solutions Construction Systems US, LLC (hereinafter Master Builders Solutions) latest recommendations. It is presented in good faith by Master Builders Solutions. The detail is subject to change without notice. Master Builders Solutions accepts no liability for the end use of the detail. For conditions not shown, consult Master Builders Solutions for review of specific detail.

Finestop RA/RS/VB

TYPICAL OUTSIDE CORNER



- Install Master Builders Solutions materials in accordance with current installation instructions.
- Unsatisfactory conditions shall be reported to the General Contractor and corrected before the application of Master Builders Solutions products.
- Apply a bead of MasterSeal NP 150 sealant between Through Wall Flashing* and Outside Corner to create an airtight and watertight seal.
- Center MasterSeal AWB 970 NP so half of the width covers Through Wall Flashing* and half covers the gypsum sheathing.
- If using a termination bar, Master Builders Solutions Sheathing Fabric must be beneath Through Wall Flashing*.

AWRB-13

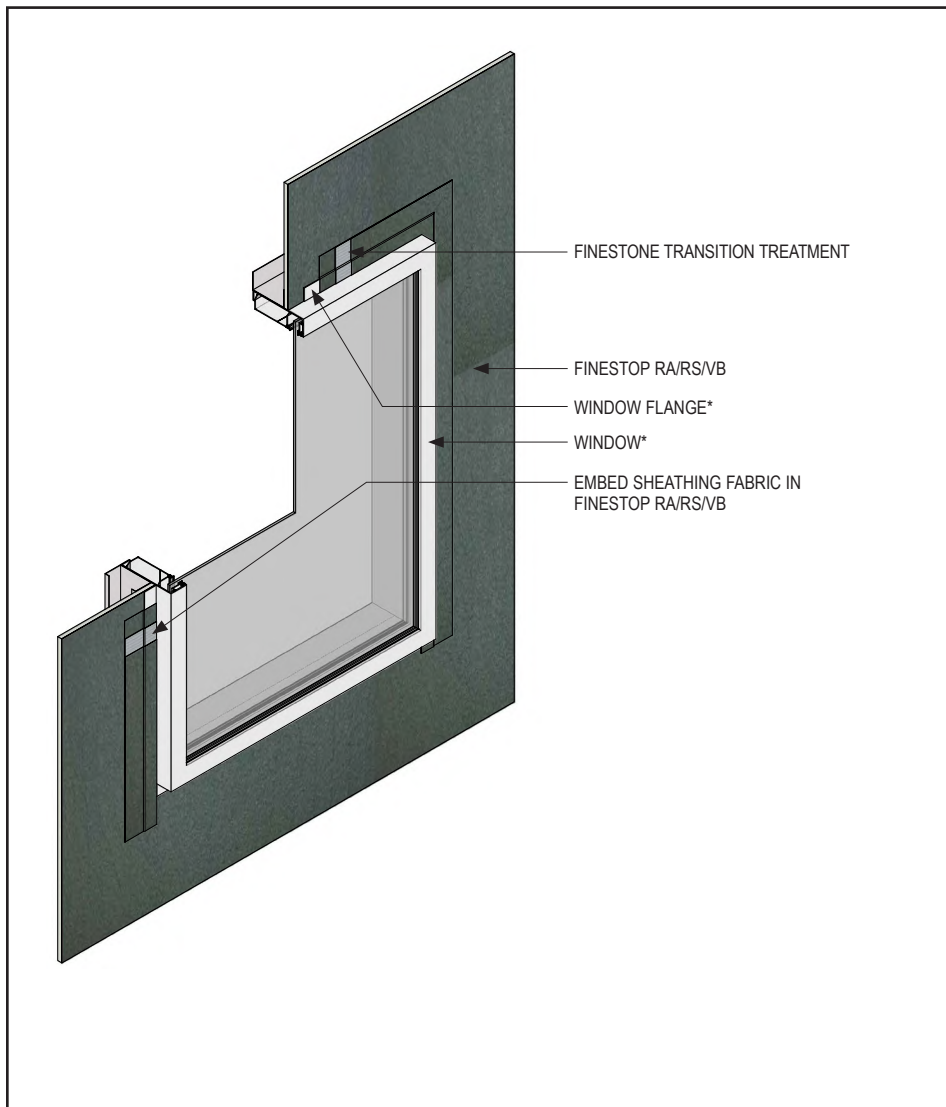
2109

(*NOTE: BY OTHERS)

This detail represents Master Builders Solutions Construction Systems US, LLC (hereinafter Master Builders Solutions) latest recommendations. It is presented in good faith by Master Builders Solutions. The detail is subject to change without notice. Master Builders Solutions accepts no liability for the end use of the detail. For conditions not shown, consult Master Builders Solutions for review of specific detail.

Finestop RA/RS/VB

TYPICAL WINDOW FLANGE TREATMENT



- Install Master Builders Solutions materials in accordance with current installation instructions.
- Unsatisfactory conditions shall be reported to the General Contractor and corrected before the application of Master Builders Solutions products.
- Prior to window installation, ensure water-resistive barrier is properly applied into the rough openings in accordance with application guidelines and code requirements. See details AWRB 04-07
- Do not block drainage at window sill.
- Air seal to window by others.
- Finestone Transition Treatment Options: MaxFlash, Sheathing Fabric embedded in Finestop RA/RS/VB or MasterSeal AWB 970 NP.
- Sheathing Fabric, MaxFlash and MasterSeal AWB 970 NP are produced by Master Builders Solutions.
- Consult window and sealant manufacturers to verify window installation, detailing and to ensure no water leakage into the wall assembly.

AWRB-14

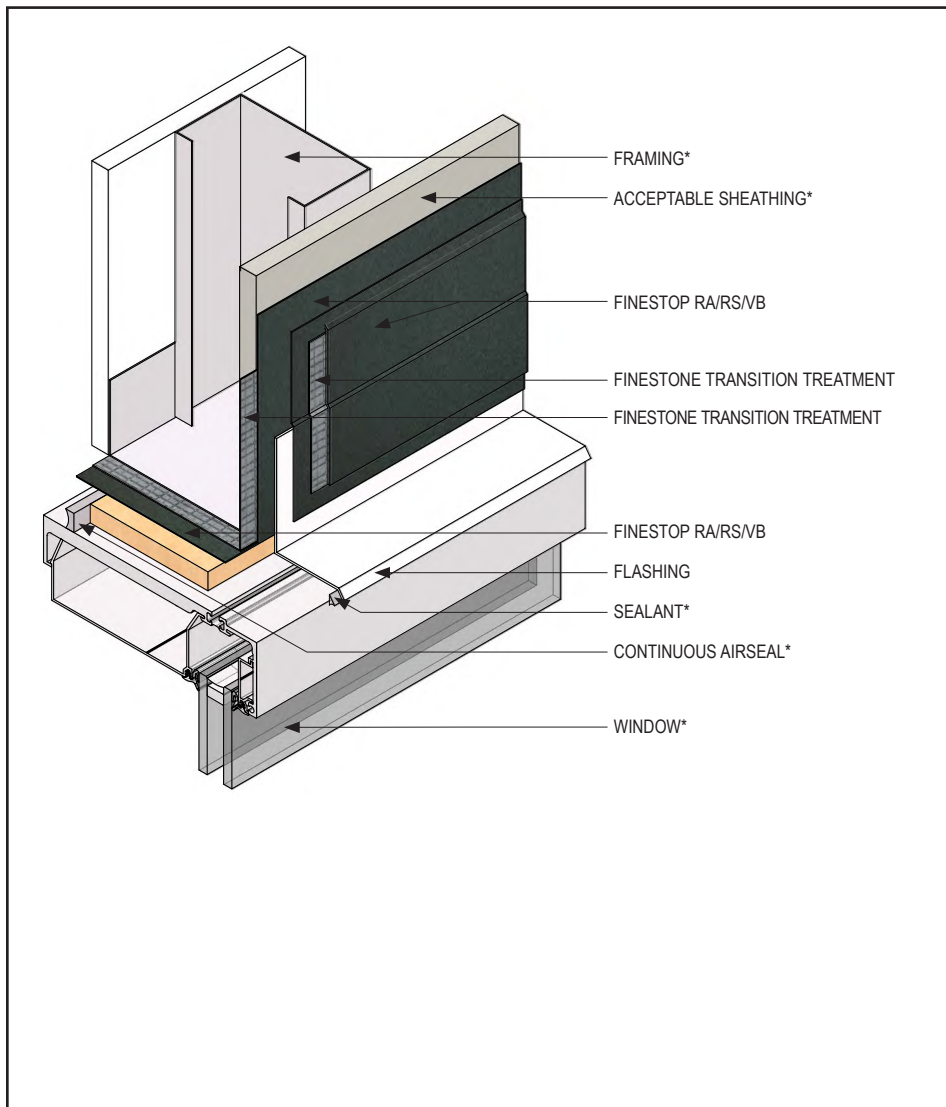
2109

(*NOTE: BY OTHERS)

This detail represents Master Builders Solutions Construction Systems US, LLC (hereinafter Master Builders Solutions) latest recommendations. It is presented in good faith by Master Builders Solutions. The detail is subject to change without notice. Master Builders Solutions accepts no liability for the end use of the detail. For conditions not shown, consult Master Builders Solutions for review of specific detail.

Finestop RA/RS/VB

TYPICAL WINDOW HEAD



- Install Master Builders Solutions materials in accordance with current installation instructions.
- Unsatisfactory conditions shall be reported to the General Contractor and corrected before the application of Master Builders Solutions products.
- Provide end dams at flashing terminations.
- Finestone Transition Treatment Options: MaxFlash, Sheathing Fabric embedded in Finestop RA/RS/VB or MasterSeal AWB 970 NP.
- Sheathing Fabric, MaxFlash and MasterSeal AWB 970 NP are produced by Master Builders Solutions.
- Prior to window installation, ensure water-resistive barrier is properly applied into the rough openings in accordance with application guidelines and code requirements. See details AWRB 04-07
- Consult window and sealant manufacturers to verify window installation, detailing and to ensure no water leakage into the wall assembly.

AWRB-15

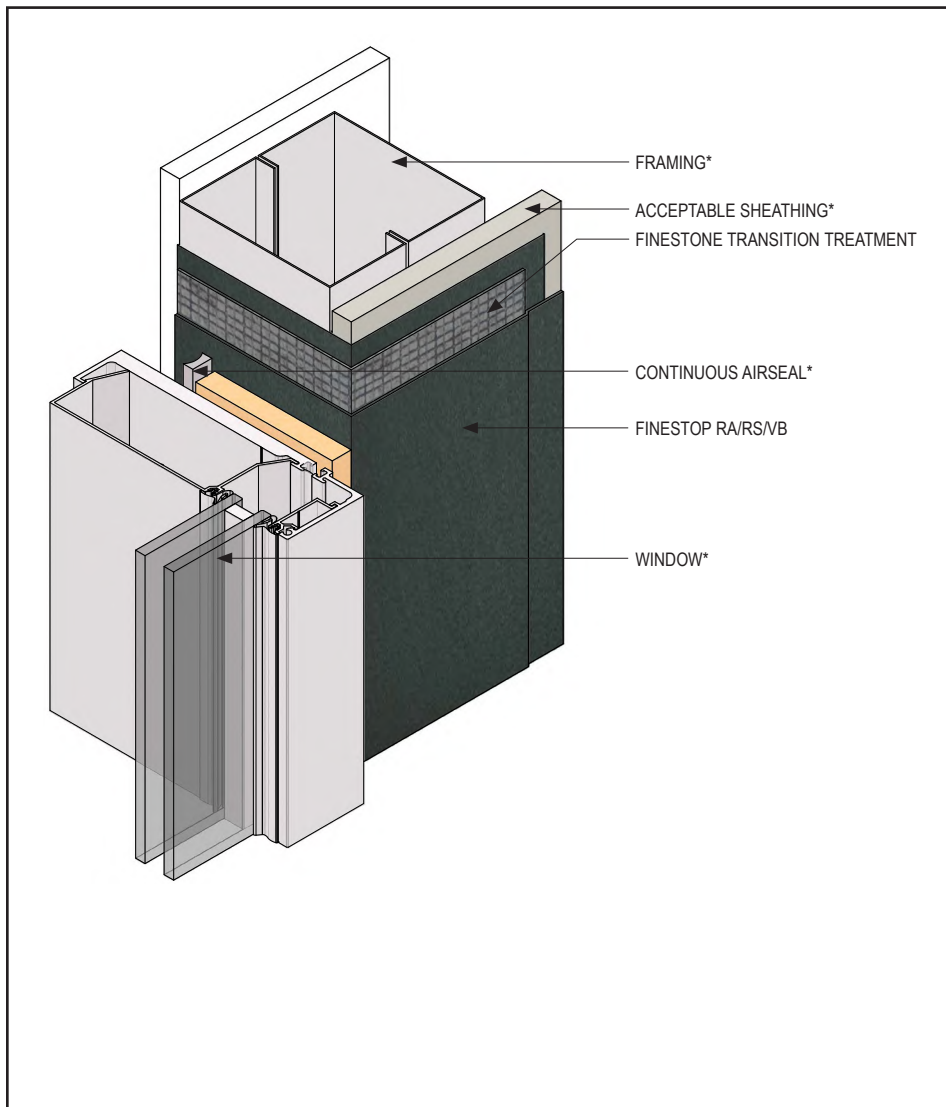
2109

(*NOTE: BY OTHERS)

This detail represents Master Builders Solutions Construction Systems US, LLC (hereinafter Master Builders Solutions) latest recommendations. It is presented in good faith by Master Builders Solutions. The detail is subject to change without notice. Master Builders Solutions accepts no liability for the end use of the detail. For conditions not shown, consult Master Builders Solutions for review of specific detail.

Finestop RA/RS/VB

TYPICAL WINDOW JAMB



AWRB-16

2109

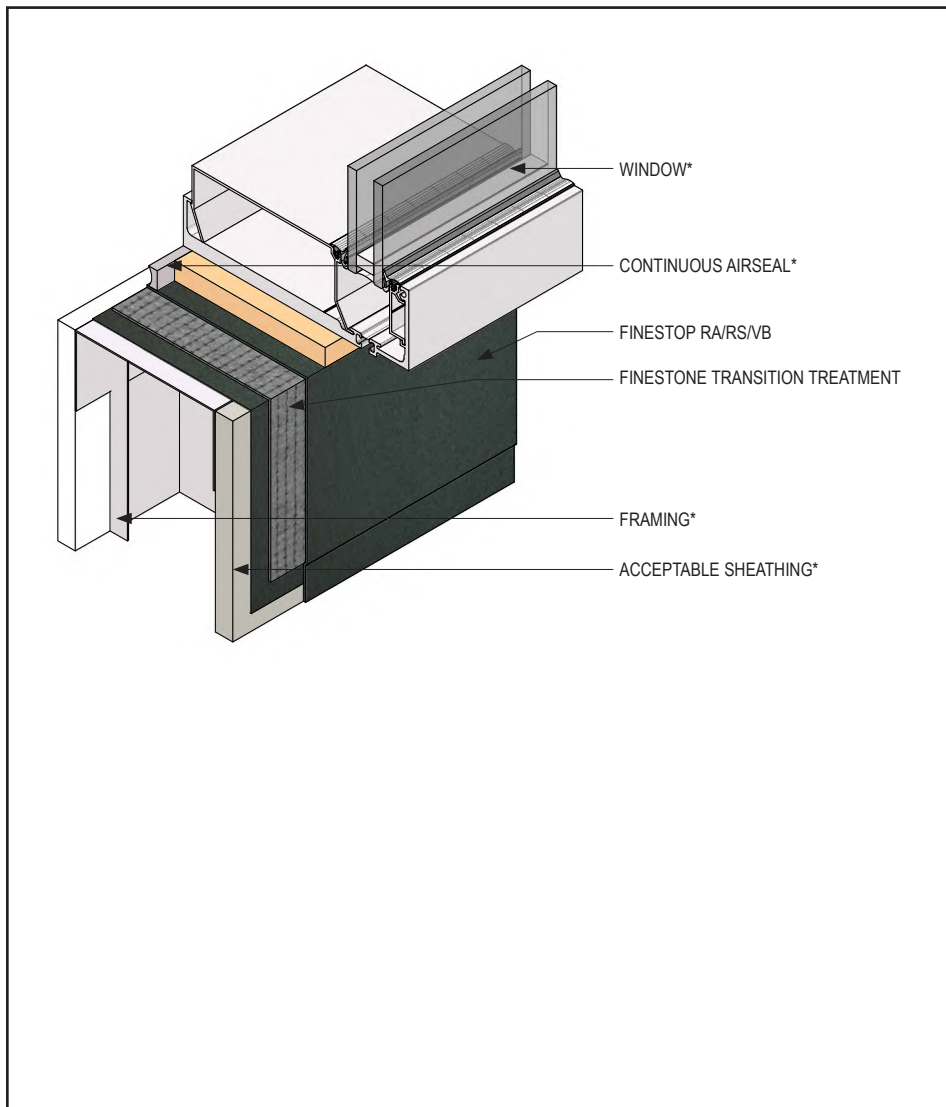
(*NOTE: BY OTHERS)

- Install Master Builders Solutions materials in accordance with current installation instructions.
- Unsatisfactory conditions shall be reported to the General Contractor and corrected before the application of Master Builders Solutions products.
- Apply MasterSeal AWB 970 NP over punched stud opening.
- If blocking is installed prior to Finestop RA/RS/VB application, it shall be treated as a rough opening; verify adhesion before proceeding.
- Finestone Transition Treatment Options: MaxFlash, Sheathing Fabric embedded in Finestop RA/RS/VB or MasterSeal AWB 970 NP.
- Prior to window installation, ensure water-resistive barrier is properly applied into the rough openings in accordance with application guidelines and code requirements. See details AWRB 04-07.
- Consult window and sealant manufacturers to verify window installation, detailing and to ensure no water leakage into the wall assembly.
- Sheathing Fabric, MaxFlash and MasterSeal AWB 970 NP are produced by Master Builders Solutions.

This detail represents Master Builders Solutions Construction Systems US, LLC (hereinafter Master Builders Solutions) latest recommendations. It is presented in good faith by Master Builders Solutions. The detail is subject to change without notice. Master Builders Solutions accepts no liability for the end use of the detail. For conditions not shown, consult Master Builders Solutions for review of specific detail.

Finestop RA/RS/VB

TYPICAL WINDOW SILL



- Install Master Builders Solutions materials in accordance with current installation instructions.
- Unsatisfactory conditions shall be reported to the General Contractor and corrected before the application of Master Builders Solutions products.
- Install end/back dams as required.
- If blocking is installed prior to Finestop RA/RS/VB application, it shall be treated as a rough opening; verify adhesion before proceeding.
- If pan flashing is required, see detail AWRB-18.
- Finestone joint/Transition Treatment Options: MaxFlash, Sheathing Fabric embedded in Finestop RA/RS/VB or MasterSeal AWB 970 NP.
- Sheathing Fabric, MaxFlash and MasterSeal AWB 970 NP are produced by Master Builders Solutions.
- Prior to window installation, ensure water-resistive barrier is properly applied into the rough openings in accordance with application guidelines and code requirements. See details AWRB 04-07.
- Consult window and sealant manufacturers to verify window installation, detailing and to ensure no water leakage into the wall assembly.

AWRB-17

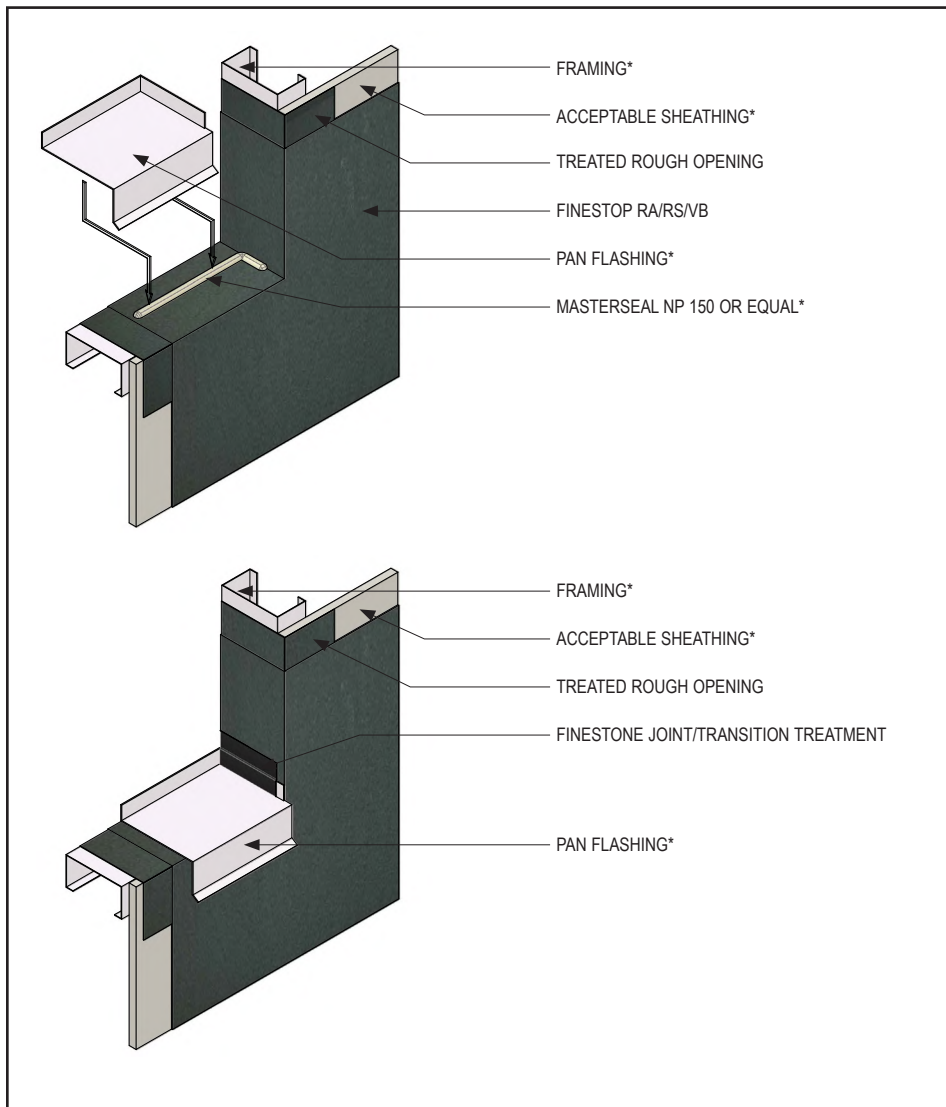
2109

(*NOTE: BY OTHERS)

This detail represents Master Builders Solutions Construction Systems US, LLC (hereinafter Master Builders Solutions) latest recommendations. It is presented in good faith by Master Builders Solutions. The detail is subject to change without notice. Master Builders Solutions accepts no liability for the end use of the detail. For conditions not shown, consult Master Builders Solutions for review of specific detail.

Finestop RA/RS/VB

TYPICAL PAN FLASHING



AWRB-18

2109

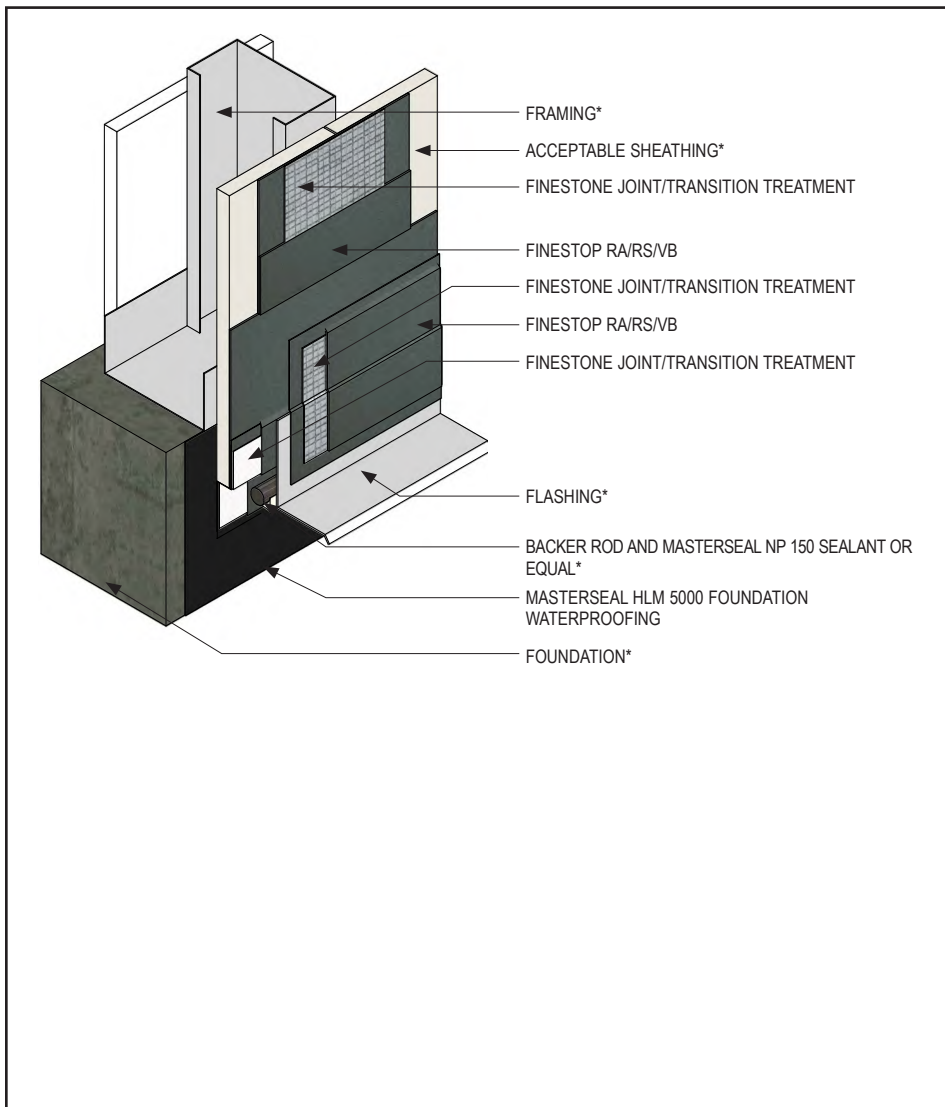
(*NOTE: BY OTHERS)

- Install Master Builders Solutions materials in accordance with current installation instructions.
- Unsatisfactory conditions shall be reported to the General Contractor and corrected before the application of Master Builders Solutions products.
- Install MasterSeal NP 150 sealant or equal as depicted onto the sill and jamb to maintain continuity of the air barrier.
- Install pan flashing into the wet sealant. Remove excess sealant as required.
- Install Finestone Joint Treatment at the jamb end dams.
- Finestone Joint/Transition Treatment Options: MaxFlash, Sheathing Fabric embedded in Finestop RA/RS/VB or MasterSeal AWB 970 NP.
- Sheathing Fabric, MaxFlash and MasterSeal AWB 970 NP are produced by Master Builders Solutions.
- Prior to pan flashing installation, ensure water-resistive barrier is properly applied into the rough opening in accordance with application guidelines and code requirements. See details AWRB 04-07.

This detail represents Master Builders Solutions Construction Systems US, LLC (hereinafter Master Builders Solutions) latest recommendations. It is presented in good faith by Master Builders Solutions. The detail is subject to change without notice. Master Builders Solutions accepts no liability for the end use of the detail. For conditions not shown, consult Master Builders Solutions for review of specific detail.

Finestop RA/RS/VB

TYPICAL TERMINATION AT GRADE – SHEATHING OVERLAPPING FOUNDATION



- Install Master Builders Solutions materials in accordance with current installation instructions.
- Unsatisfactory conditions shall be reported to the General Contractor and corrected before the application of Master Builders Solutions products.
- Extend flashing over Finestone transition treatment on foundation.
- If MaxFlash is used at foundation transition. Apply at 20–30 mils.
- Finestone Joint/Transition Treatment Options: MaxFlash, Sheathing Fabric embedded in Finestone RA/RS/VB or MasterSeal AWB 970 NP.
- Sheathing Fabric, MaxFlash and MasterSeal AWB 970 NP are produced by Master Builders Solutions.
- If MasterSeal AWB 970 NP is used, it must be fully coated with Finestone RA/RS/VB.

AWRB-19

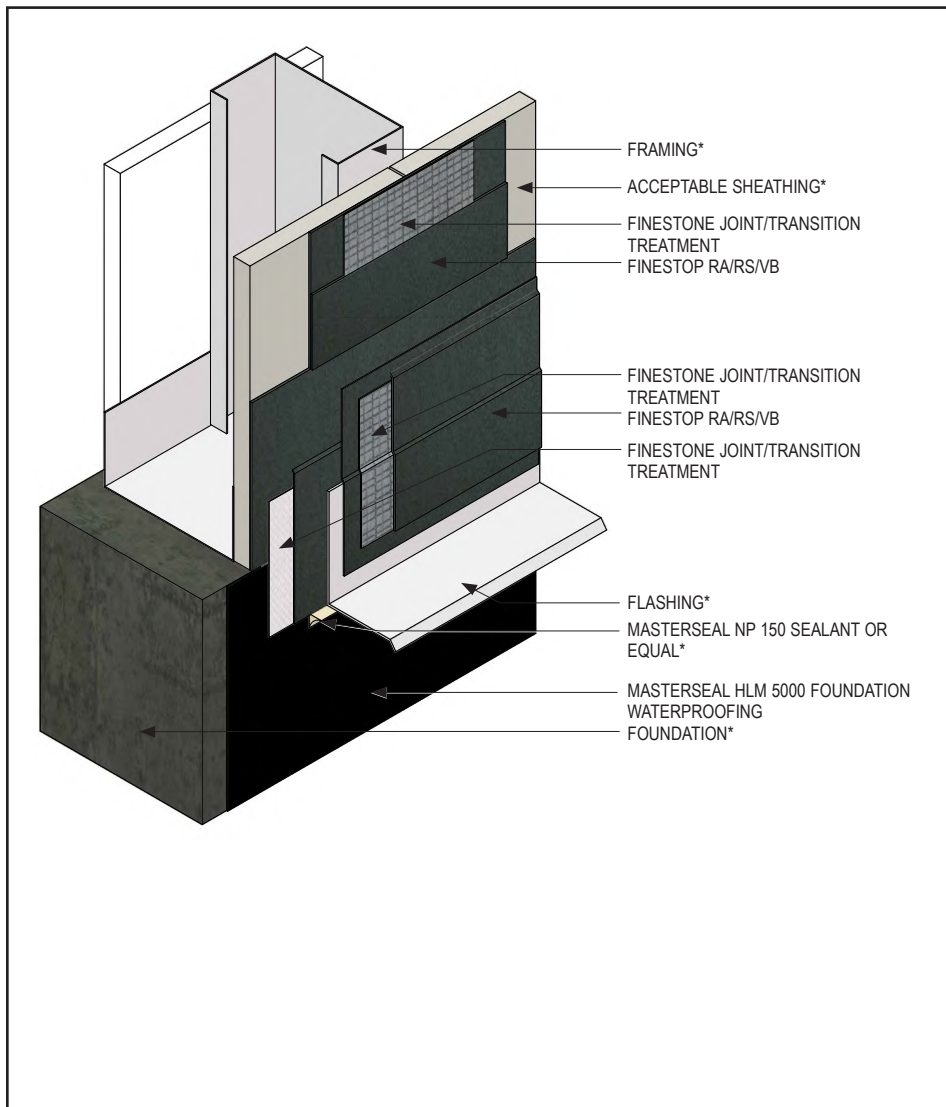
2109

(*NOTE: BY OTHERS)

This detail represents Master Builders Solutions Construction Systems US, LLC (hereinafter Master Builders Solutions) latest recommendations. It is presented in good faith by Master Builders Solutions. The detail is subject to change without notice. Master Builders Solutions accepts no liability for the end use of the detail. For conditions not shown, consult Master Builders Solutions for review of specific detail.

Finestop RA/RS/VB

TYPICAL TERMINATION AT GRADE – SHEATHING FLUSH WITH FOUNDATION



- Install Master Builders Solutions materials in accordance with current installation instructions.
- Unsatisfactory conditions shall be reported to the General Contractor and corrected before the application of Master Builders Solutions products.
- Extend flashing over Finestone transition treatment on foundation.
- Finestone Joint/Transition Treatment Options: MaxFlash, Sheathing Fabric embedded in Finestop RA/RS/VB or MasterSeal AWB 970 NP.
- Sheathing Fabric, MaxFlash and MasterSeal AWB 970 NP are produced by Master Builders Solutions.
- If MasterSeal AWB 970 NP is used, it must be fully coated with Finestop RA/RS/VB.

AWRB-21

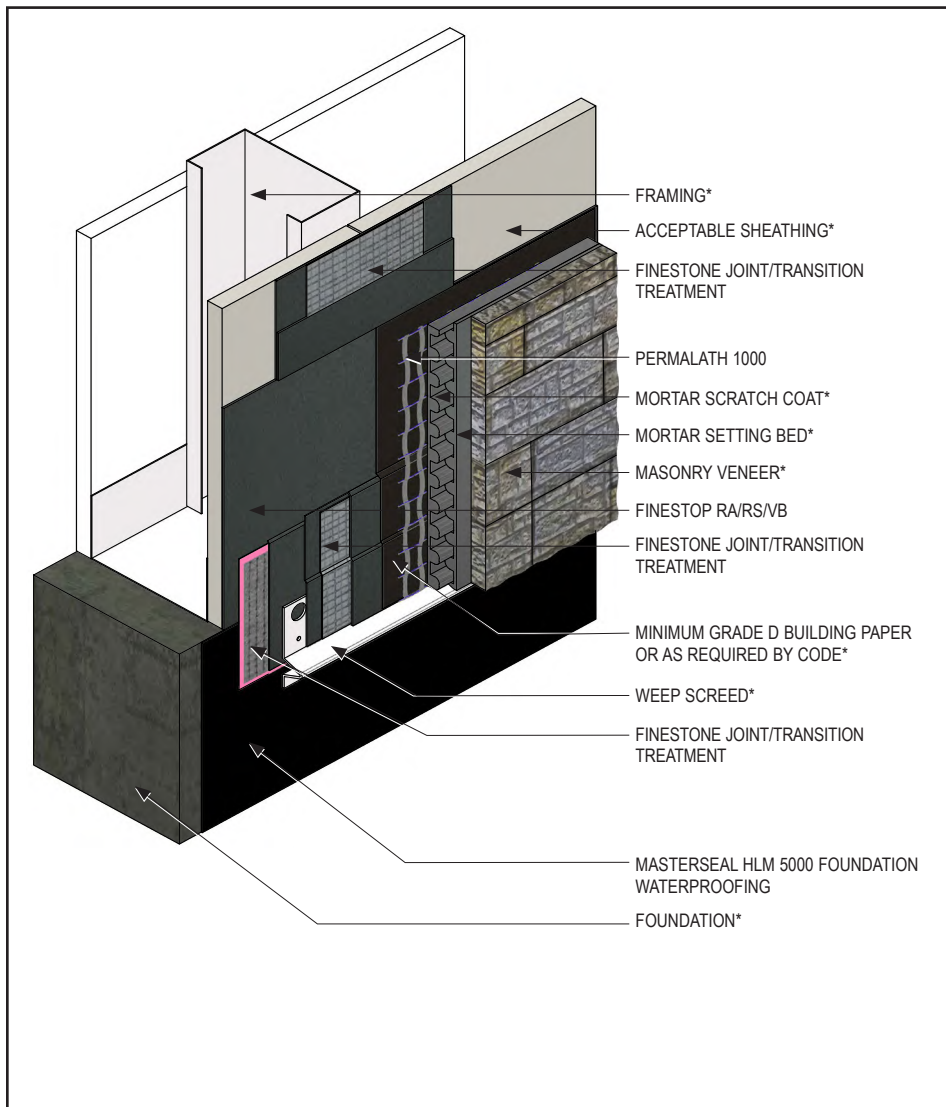
2109

(*NOTE: BY OTHERS)

This detail represents Master Builders Solutions Construction Systems US, LLC (hereinafter Master Builders Solutions) latest recommendations. It is presented in good faith by Master Builders Solutions. The detail is subject to change without notice. Master Builders Solutions accepts no liability for the end use of the detail. For conditions not shown, consult Master Builders Solutions for review of specific detail.

Finestop RA/RS/VB

TYPICAL TERMINATION AT GRADE – MASONRY VENEER



- Install Master Builders Solutions materials in accordance with current installation instructions.
- Unsatisfactory conditions shall be reported to the General Contractor and corrected before the application of Master Builders Solutions products.
- Install Master Builders Solutions materials in accordance with current installation instructions.
- Ensure Finestop RA/RS/VB fully covers Finestone Transition Treatment at overlap.
- MaxGrip, Sheathing Fabric, MaxFlash and MasterSeal AWB 970 NP are produced by Master Builders Solutions.
- If MasterSeal AWB 970 NP is used, it must be fully coated with Finestop RA/RS/VB.
- Finestone Joint/Transition Treatment Options: MaxFlash, Sheathing Fabric embedded in Finestop RA/RS/VB or MasterSeal AWB 970 NP.

AWRB-26

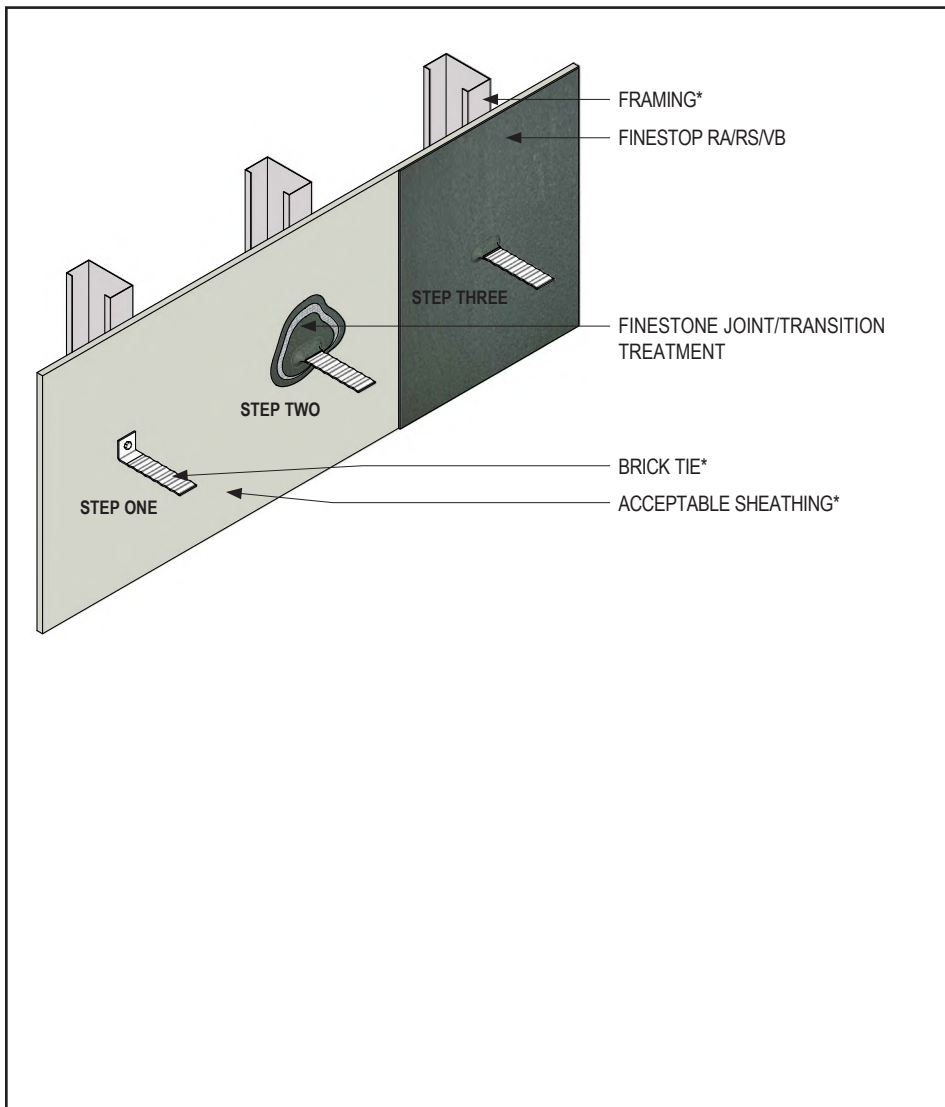
2109

(*NOTE: BY OTHERS)

This detail represents Master Builders Solutions Construction Systems US, LLC (hereinafter Master Builders Solutions) latest recommendations. It is presented in good faith by Master Builders Solutions. The detail is subject to change without notice. Master Builders Solutions accepts no liability for the end use of the detail. For conditions not shown, consult Master Builders Solutions for review of specific detail.

Finestop RA/RS/VB

TYPICAL BRICK ANCHOR (INSTALLED PRIOR TO AWRB APPLICATION)



- Install Master Builders Solutions materials in accordance with current installation instructions.
- Unsatisfactory conditions shall be reported to the General Contractor and corrected before the application of Master Builders Solutions products.
- Finestone Joint/Transition Treatment Options: MaxFlash, Sheathing Fabric embedded in Finestop RA/RS/VB or MasterSeal AWB 970 NP.
- Consult the brick tie manufacturer for proper attachment.
- Sheathing Fabric, MaxFlash and MasterSeal AWB 970 NP are produced by Master Builders Solutions.

AWRB-28

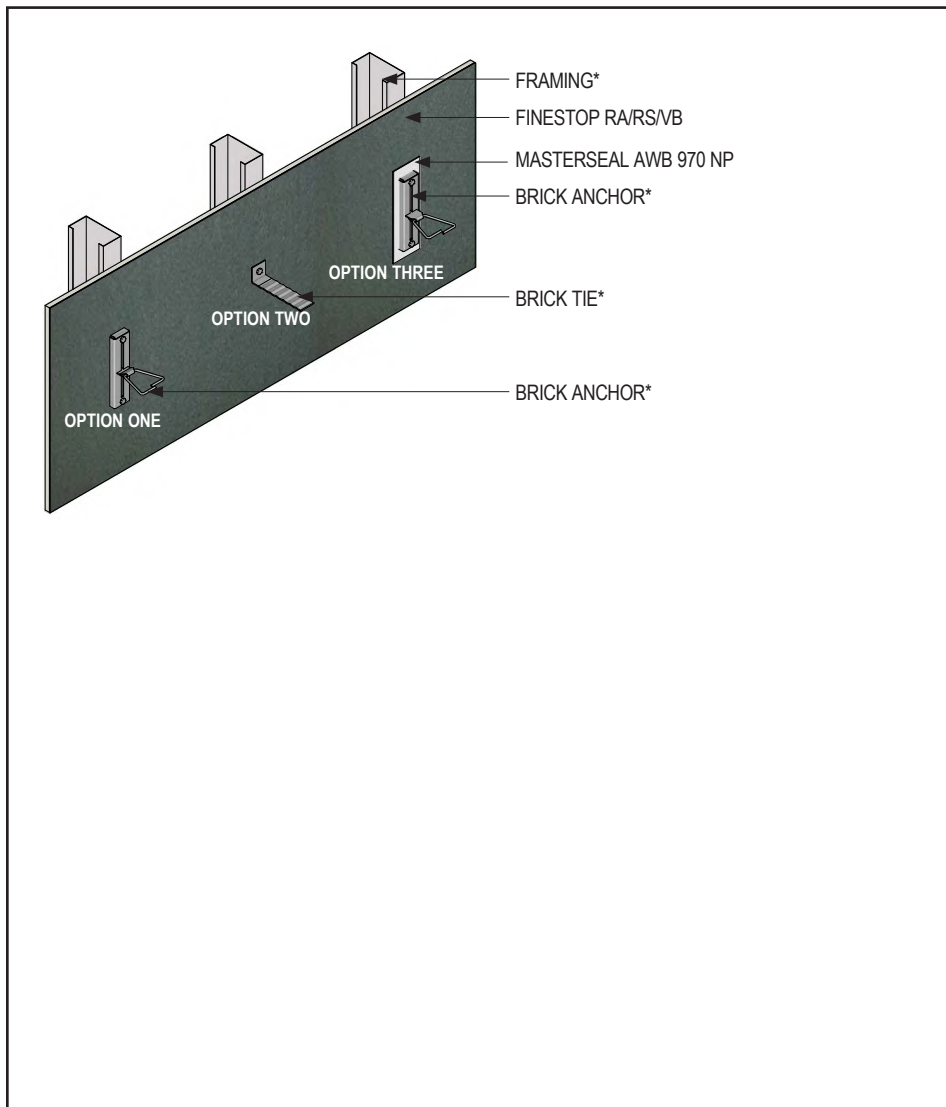
2109

(*NOTE: BY OTHERS)

This detail represents Master Builders Solutions Construction Systems US, LLC (hereinafter Master Builders Solutions) latest recommendations. It is presented in good faith by Master Builders Solutions. The detail is subject to change without notice. Master Builders Solutions accepts no liability for the end use of the detail. For conditions not shown, consult Master Builders Solutions for review of specific detail.

Finestop RA/RS/VB

TYPICAL BRICK ANCHOR (INSTALLED AFTER AWRB APPLICATION)



- Install Master Builders Solutions materials in accordance with current installation instructions.
- Unsatisfactory conditions shall be reported to the General Contractor and corrected before the application of Master Builders Solutions products.
- For more information, see *Finestop Fastener Self-Sealing* technical bulletin.
- Consult the brick anchor manufacturer for proper attachment.
- Additional Finestop RA/RS/VB, MaxFlash or sealant may be post applied at anchor points.
- Option 3: Apply MasterSeal AWB 970 NP to Finestop RA/RS/VB prior to application of brick anchor.

AWRB-29

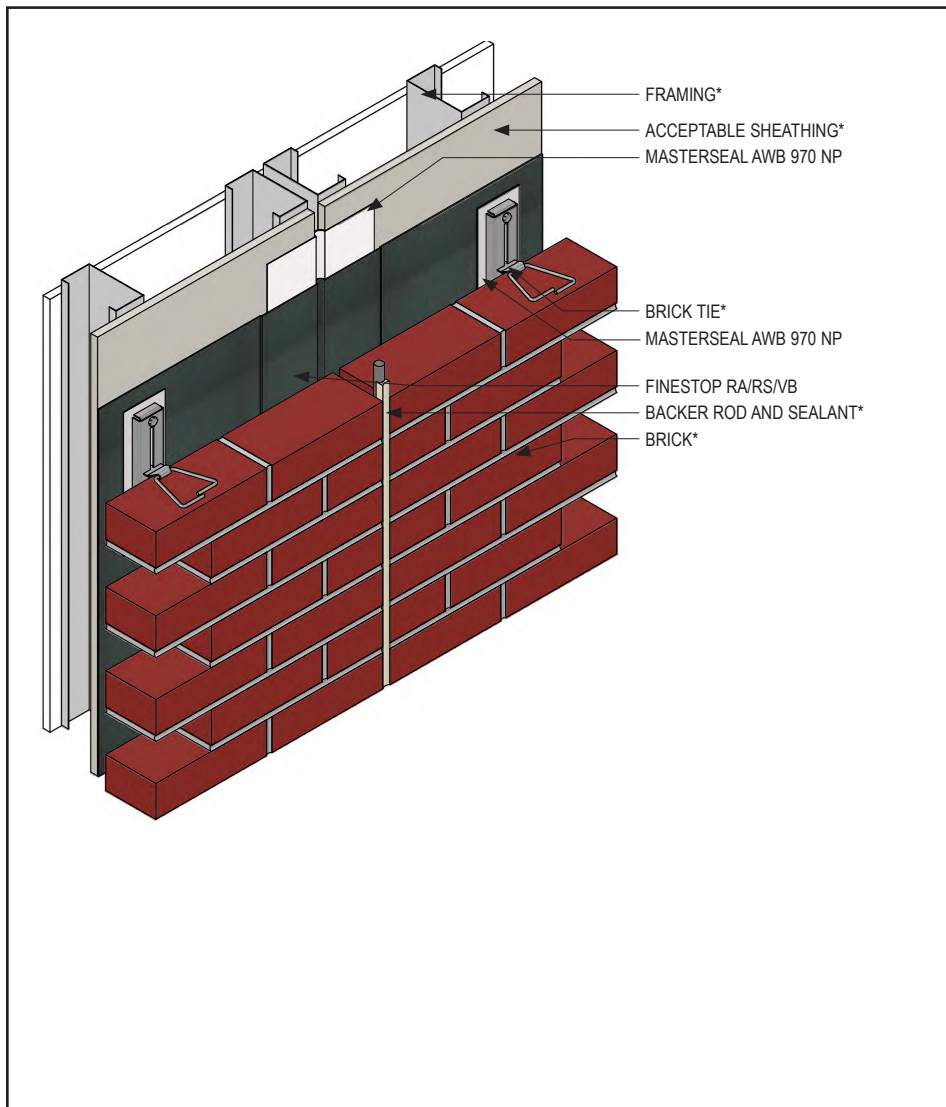
2109

(*NOTE: BY OTHERS)

This detail represents Master Builders Solutions Construction Systems US, LLC (hereinafter Master Builders Solutions) latest recommendations. It is presented in good faith by Master Builders Solutions. The detail is subject to change without notice. Master Builders Solutions accepts no liability for the end use of the detail. For conditions not shown, consult Master Builders Solutions for review of specific detail.

Finestop RA/RS/VB

TYPICAL BRICK EXPANSION JOINT



- Install Master Builders Solutions materials in accordance with current installation instructions.
- Unsatisfactory conditions shall be reported to the General Contractor and corrected before the application of Master Builders Solutions products.
- See detail AWRB-28 & 29 for typical brick anchor treatment.
- MasterSeal AWB 970 NP is produced by Master Builders Solutions.
- Fully Coat MasterSeal AWB 970 NP with Finestop RA/RS/VB.

AWRB-30

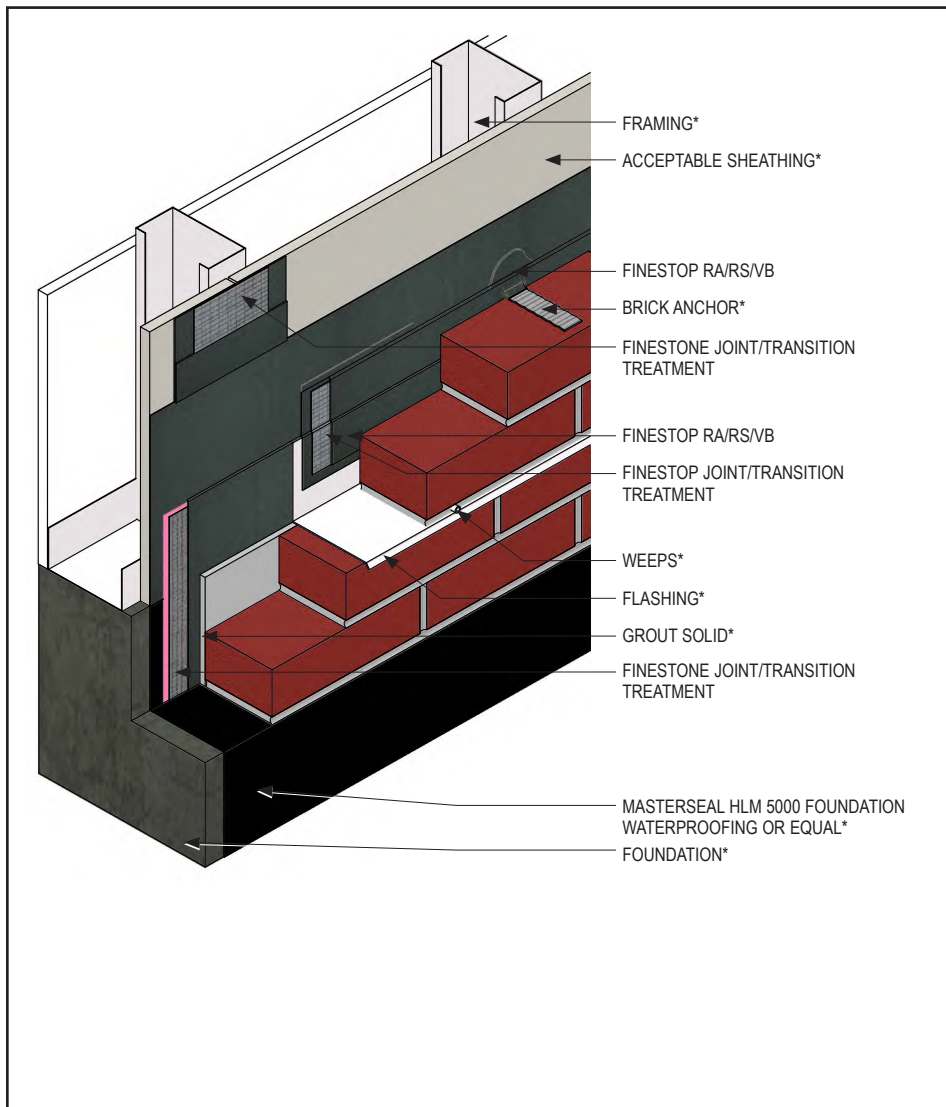
2109

(*NOTE: BY OTHERS)

This detail represents Master Builders Solutions Construction Systems US, LLC (hereinafter Master Builders Solutions) latest recommendations. It is presented in good faith by Master Builders Solutions. The detail is subject to change without notice. Master Builders Solutions accepts no liability for the end use of the detail. For conditions not shown, consult Master Builders Solutions for review of specific detail.

Finestop RA/RS/VB

TYPICAL TERMINATION AT GRADE – BRICK



- Install Master Builders Solutions materials in accordance with current installation instructions.
- Unsatisfactory conditions shall be reported to the General Contractor and corrected before the application of Master Builders Solutions products.
- Ensure Finestop RA/RS/VB fully covers Finestone joint treatment at overlap.
- Finestone Joint/Transition Treatment Options: MaxFlash, Sheathing Fabric embedded in Finestop RA/RS/VB or MasterSeal AWB 970 NP
- Sheathing Fabric, MaxFlash and MasterSeal AWB 970 NP are produced by Master Builders Solutions.
- If MasterSeal AWB 970 NP is used, it must be fully coated with Finestop RA/RS/VB.

AWRB-31

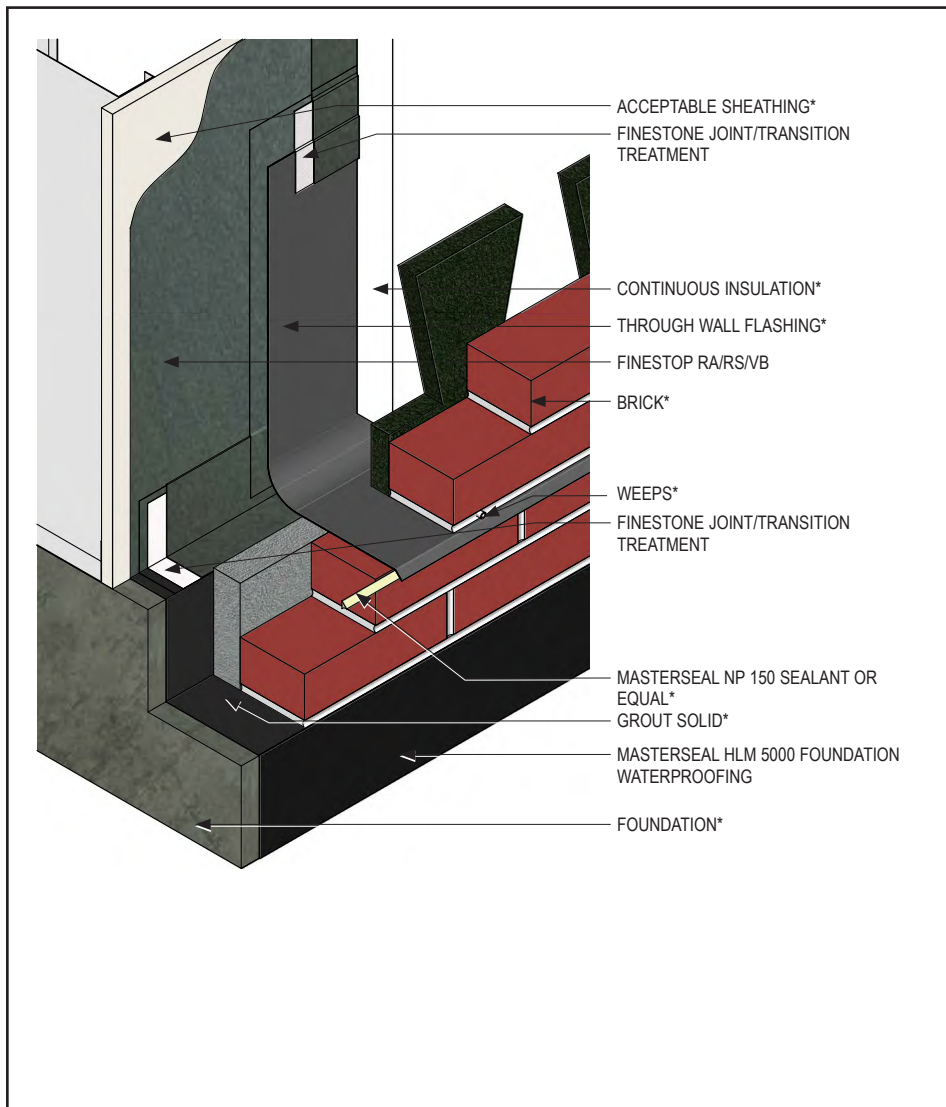
2109

(*NOTE: BY OTHERS)

This detail represents Master Builders Solutions Construction Systems US, LLC (hereinafter Master Builders Solutions) latest recommendations. It is presented in good faith by Master Builders Solutions. The detail is subject to change without notice. Master Builders Solutions accepts no liability for the end use of the detail. For conditions not shown, consult Master Builders Solutions for review of specific detail.

Finestop RA/RS/VB

TYPICAL TERMINATION AT FOUNDATION INCORPORATING SHEATHING FABRIC WITH THROUGH WALL FLASHING – BRICK



- Install Master Builders Solutions materials in accordance with current installation instructions.
- Unsatisfactory conditions shall be reported to the General Contractor and corrected before the application of Master Builders Solutions products.
- Air space between sheathing and brick per design (not shown).
- Finestone Joint/Transition Treatment Options: MaxFlash, Sheathing Fabric embedded in Finestop RA/RS/VB or MasterSeal AWB 970 NP.
- Sheathing Fabric, MaxFlash and MasterSeal AWB 970 NP are produced by Master Builders Solutions.
- If MasterSeal AWB 970 NP is used, it must be fully coated with Finestop RA/RS/VB.

AWRB-32

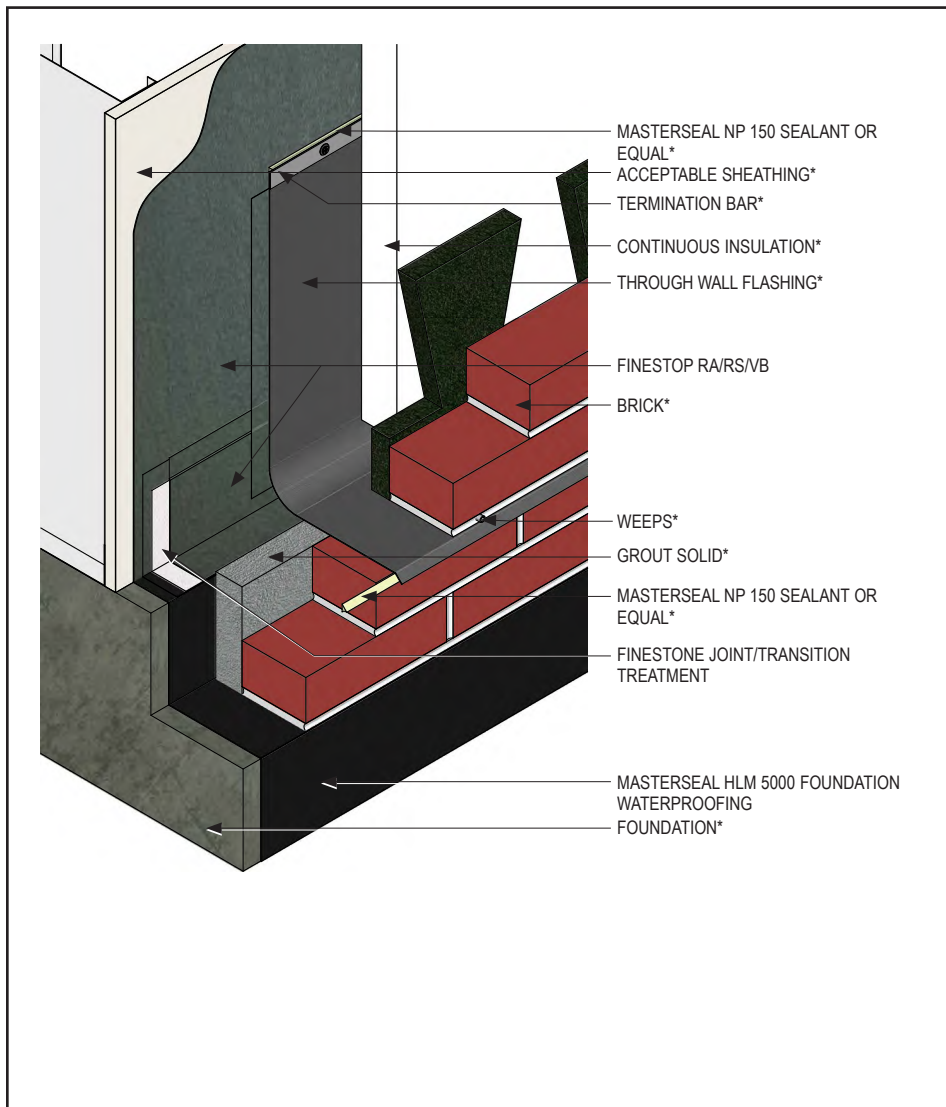
2109

(*NOTE: BY OTHERS)

This detail represents Master Builders Solutions Construction Systems US, LLC (hereinafter Master Builders Solutions) latest recommendations. It is presented in good faith by Master Builders Solutions. The detail is subject to change without notice. Master Builders Solutions accepts no liability for the end use of the detail. For conditions not shown, consult Master Builders Solutions for review of specific detail.

Finestop RA/RS/VB

TYPICAL TERMINATION AT FOUNDATION INCORPORATING TERMINATION BAR WITH THROUGH WALL FLASHING – BRICK



- Install Master Builders Solutions materials in accordance with current installation instructions.
- Unsatisfactory conditions shall be reported to the General Contractor and corrected before the application of Master Builders Solutions products.
- Air space between sheathing and brick per design (not shown).
- Finestone Joint/Transition Treatment Options: MaxFlash, Sheathing Fabric embedded in Finestop RA/RS/VB or MasterSeal AWB 970 NP.
- Sheathing Fabric, MaxFlash and MasterSeal AWB 970 NP are produced by Master Builders Solutions.
- If MasterSeal AWB 970 NP is used, it must be fully coated with Finestop RA/RS/VB.

AWRB-33

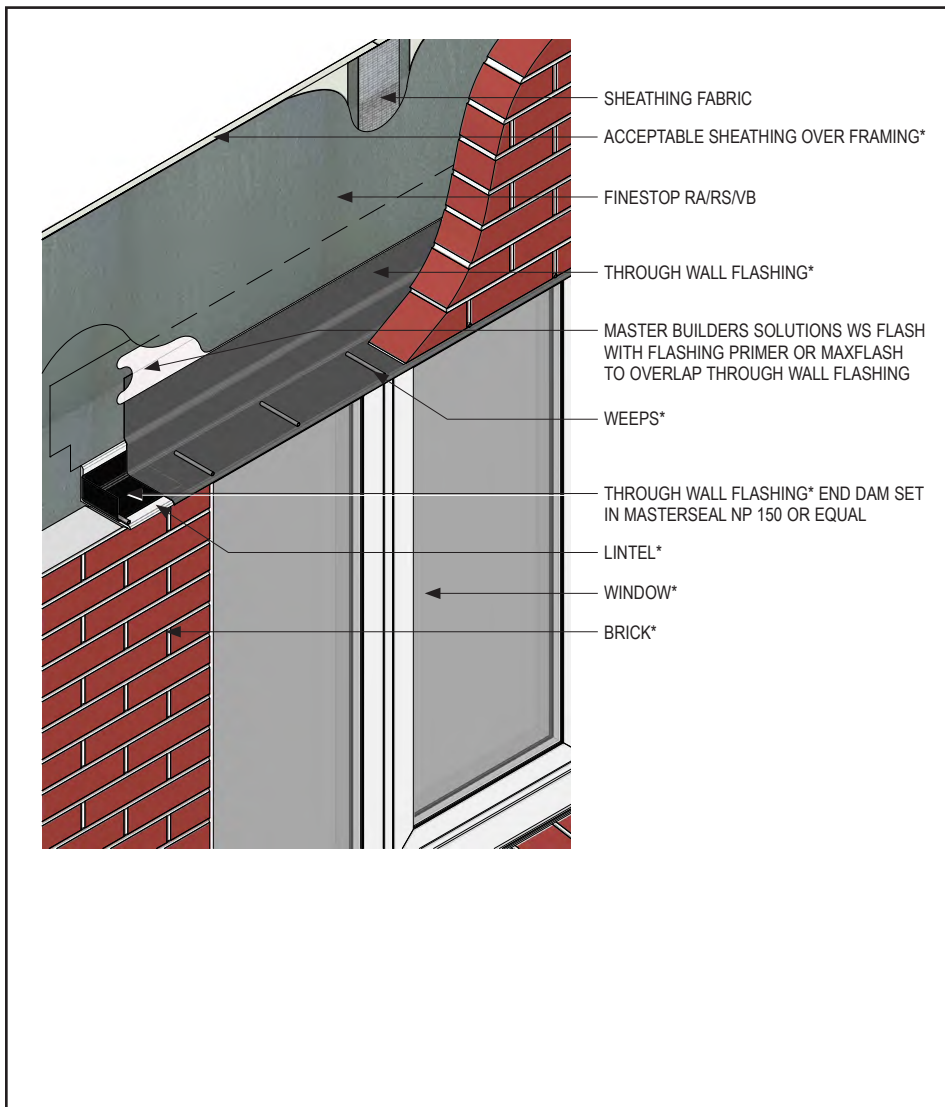
2109

(*NOTE: BY OTHERS)

This detail represents Master Builders Solutions Construction Systems US, LLC (hereinafter Master Builders Solutions) latest recommendations. It is presented in good faith by Master Builders Solutions. The detail is subject to change without notice. Master Builders Solutions accepts no liability for the end use of the detail. For conditions not shown, consult Master Builders Solutions for review of specific detail.

Finestop RA/RS/VB

TYPICAL THROUGH WALL FLASHING AT HEAD – BRICK



- Install Master Builders Solutions materials in accordance with current installation instructions.
- Unsatisfactory conditions shall be reported to the General Contractor and corrected before the application of Master Builders Solutions products.
- Center Finestone transitional treatment so half of the width covers through wall flashing* and half covers the substrate.
- Finestone Joint/Transition Treatment Options: MaxFlash, Sheathing Fabric embedded in Finestop RA/RS/VB or MasterSeal AWB 970 NP.
- Sheathing Fabric, MaxFlash and MasterSeal AWB 970 NP are produced by Master Builders Solutions.
- If MasterSeal AWB 970 NP is used, it must be fully coated with Finestop RA/RS/VB.

AWRB-36

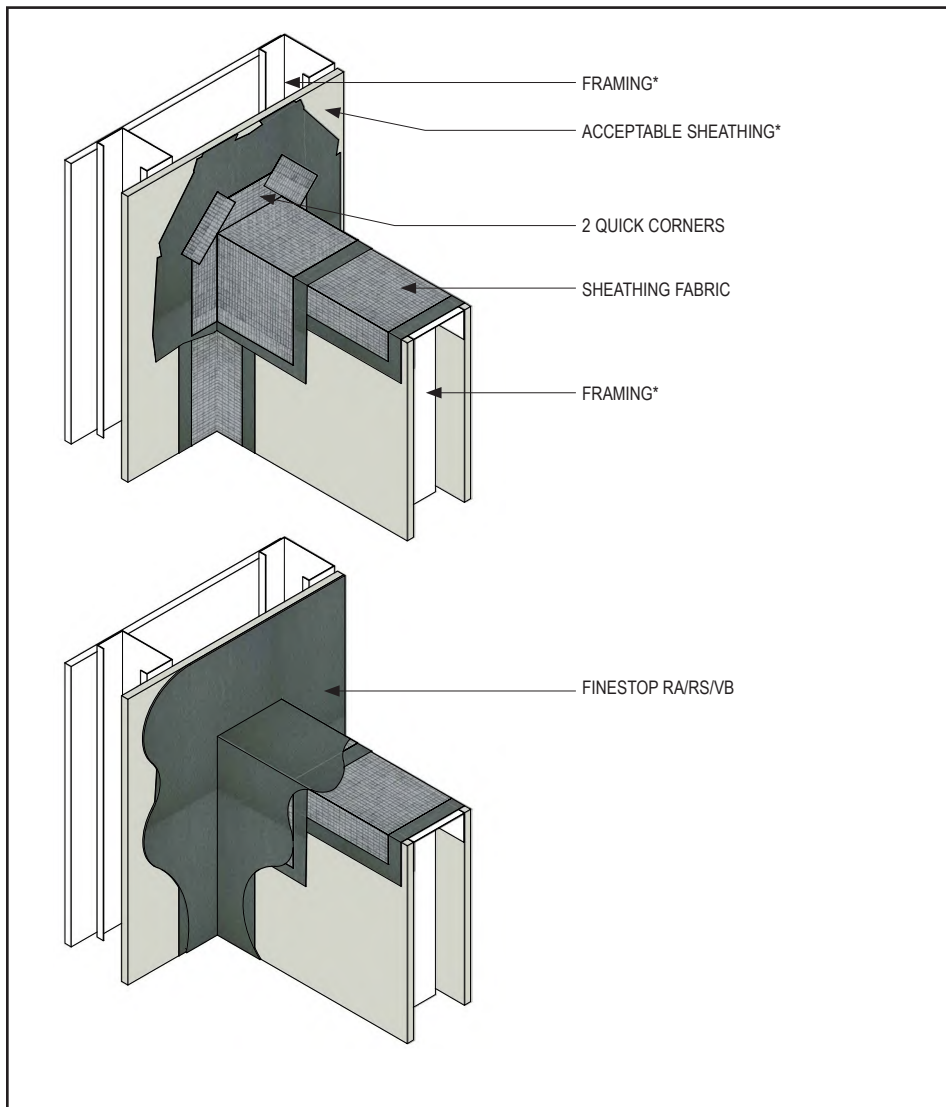
2109

(*NOTE: BY OTHERS)

This detail represents Master Builders Solutions Construction Systems US, LLC (hereinafter Master Builders Solutions) latest recommendations. It is presented in good faith by Master Builders Solutions. The detail is subject to change without notice. Master Builders Solutions accepts no liability for the end use of the detail. For conditions not shown, consult Master Builders Solutions for review of specific detail.

Finestop RA/RS/VB

TYPICAL SADDLE APPLICATION INCORPORATING SHEATHING FABRIC



- Install Master Builders Solutions materials in accordance with current installation instructions.
- Unsatisfactory conditions shall be reported to the General Contractor and corrected before the application of Master Builders Solutions products.
- Embed Quick Corner and Sheathing Fabric in Finestop RA/RS/VB.
- Two Quick Corners are used, one on each side of the saddle.
- Sheathing Fabric and Quick Corners are produced by Master Builders Solutions.

AWRB-37

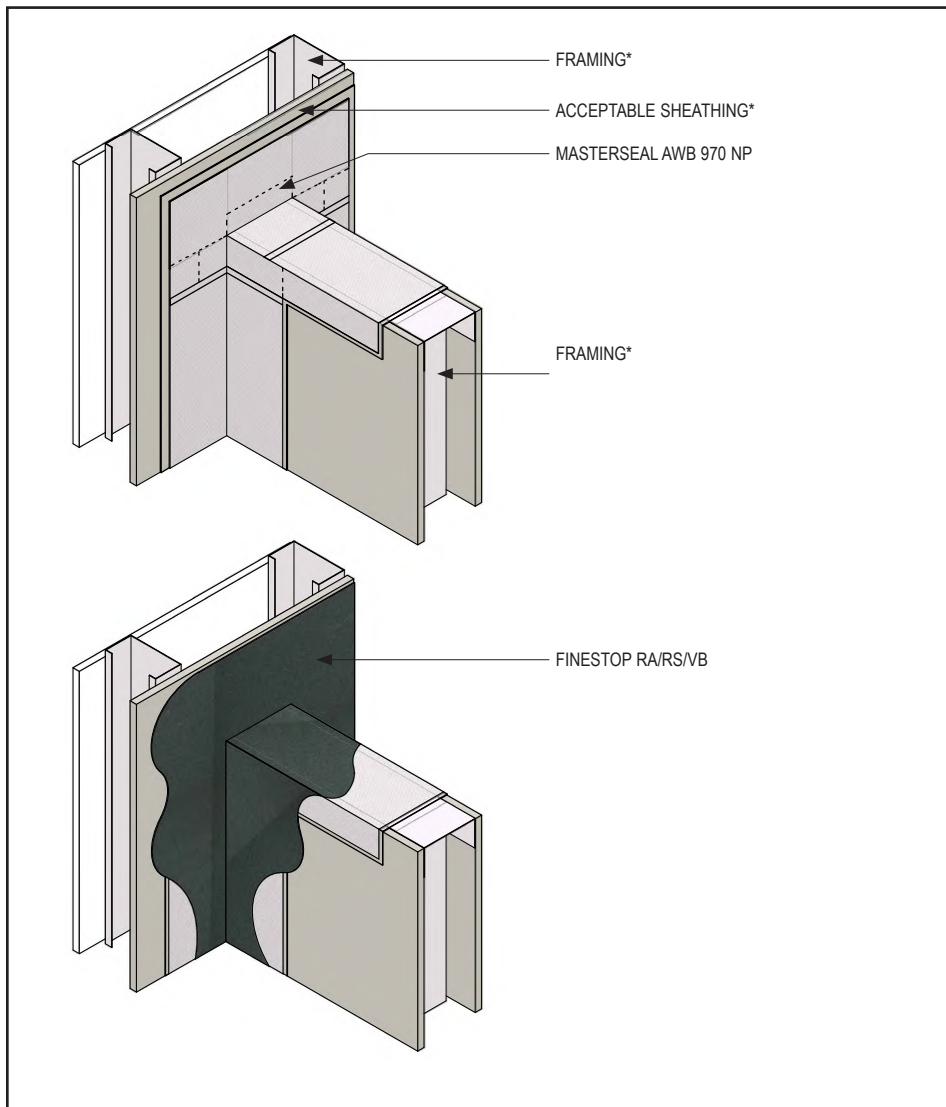
2109

(*NOTE: BY OTHERS)

This detail represents Master Builders Solutions Construction Systems US, LLC (hereinafter Master Builders Solutions) latest recommendations. It is presented in good faith by Master Builders Solutions. The detail is subject to change without notice. Master Builders Solutions accepts no liability for the end use of the detail. For conditions not shown, consult Master Builders Solutions for review of specific detail.

Finestop RA/RS/VB

TYPICAL SADDLE APPLICATION INCORPORATING MASTERSEAL AWB 970 NP



- Install Master Builders Solutions materials in accordance with current installation instructions.
- Unsatisfactory conditions shall be reported to the General Contractor and corrected before the application of Master Builders Solutions products.
- Fully Coat MasterSeal AWB 970 NP with Finestone RA/RS/VB.

AWRB-38

2109

(*NOTE: BY OTHERS)

This detail represents Master Builders Solutions Construction Systems US, LLC (hereinafter Master Builders Solutions) latest recommendations. It is presented in good faith by Master Builders Solutions. The detail is subject to change without notice. Master Builders Solutions accepts no liability for the end use of the detail. For conditions not shown, consult Master Builders Solutions for review of specific detail.

Finestop RA/RS/VB

TYPICAL KICK-OUT FLASHING



- Install Master Builders Solutions materials in accordance with current installation instructions.
- Unsatisfactory conditions shall be reported to the General Contractor and corrected before the application of Master Builders Solutions products.
- Where Finestone joint/transition treatment is installed over the flashing, ensure termination occurs a minimum of 2" above the roof.
- Finestone Joint/Transition Treatment Options: MaxFlash, Sheathing Fabric embedded in Finestop RA/RS/VB or MasterSeal AWB 970 NP.
- Sheathing Fabric, MaxFlash and MasterSeal AWB 970 NP are produced by Master Builders Solutions.
- If MasterSeal AWB 970 NP is used, it must be fully coated with Finestop RA/RS/VB .

AWRB-39

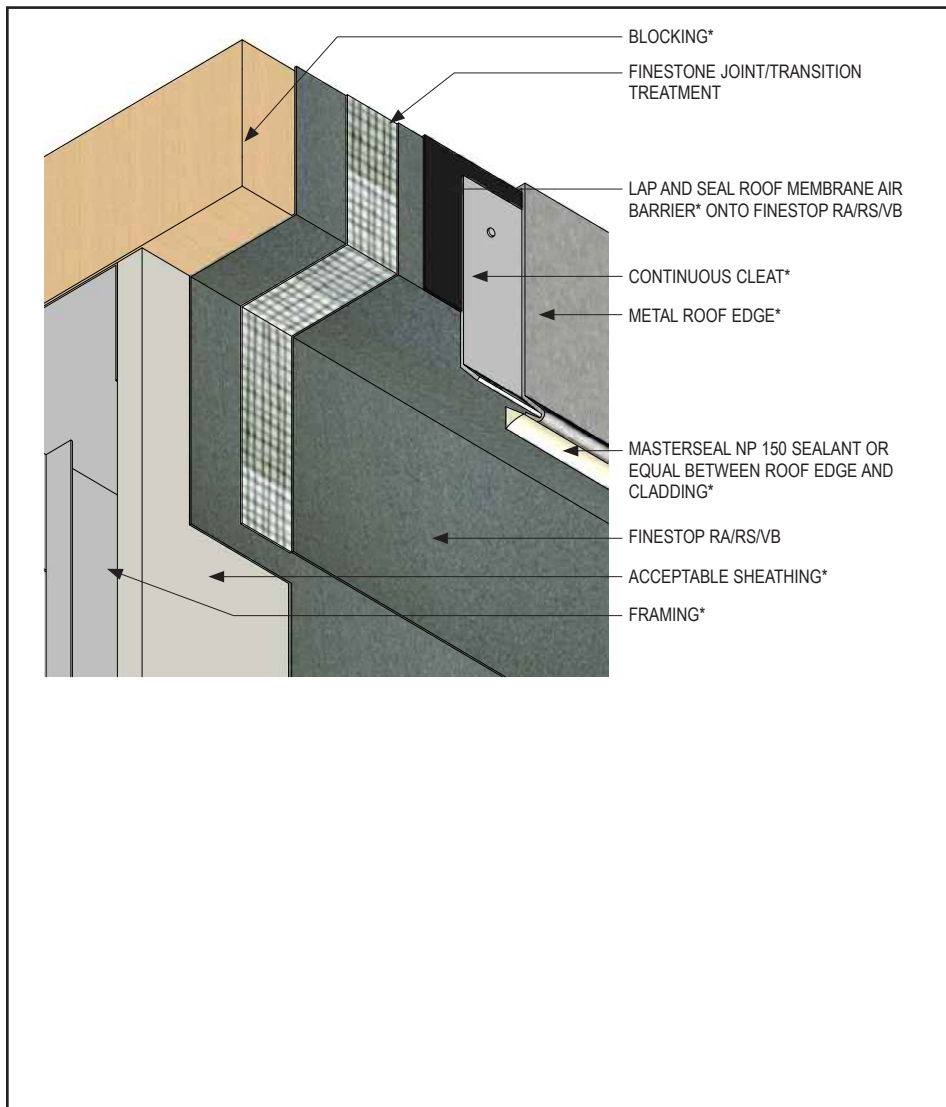
2109

(*NOTE: BY OTHERS)

This detail represents Master Builders Solutions Construction Systems US, LLC (hereinafter Master Builders Solutions) latest recommendations. It is presented in good faith by Master Builders Solutions. The detail is subject to change without notice. Master Builders Solutions accepts no liability for the end use of the detail. For conditions not shown, consult Master Builders Solutions for review of specific detail.

Finestop RA/RS/VB

TYPICAL ROOF EDGE FLASHING



- Install Master Builders Solutions materials in accordance with current installation instructions.
- Unsatisfactory conditions shall be reported to the General Contractor and corrected before the application of Master Builders Solutions products.
- Ensure continuity of air barrier is maintained.
- Avoid solvent-based adhesives/primers where roofing laps Finestop RA/RS/VB.
- Finestone Joint/Transition Treatment Options: MaxFlash, Sheathing Fabric embedded in Finestop RA/RS/VB or MasterSeal AWB 970 NP.
- Sheathing Fabric, MaxFlash and MasterSeal AWB 970 NP are produced by Master Builders Solutions.
- If MasterSeal AWB 970 NP is used, it must be fully coated with Finestop RA/RS/VB.

AWRB-40

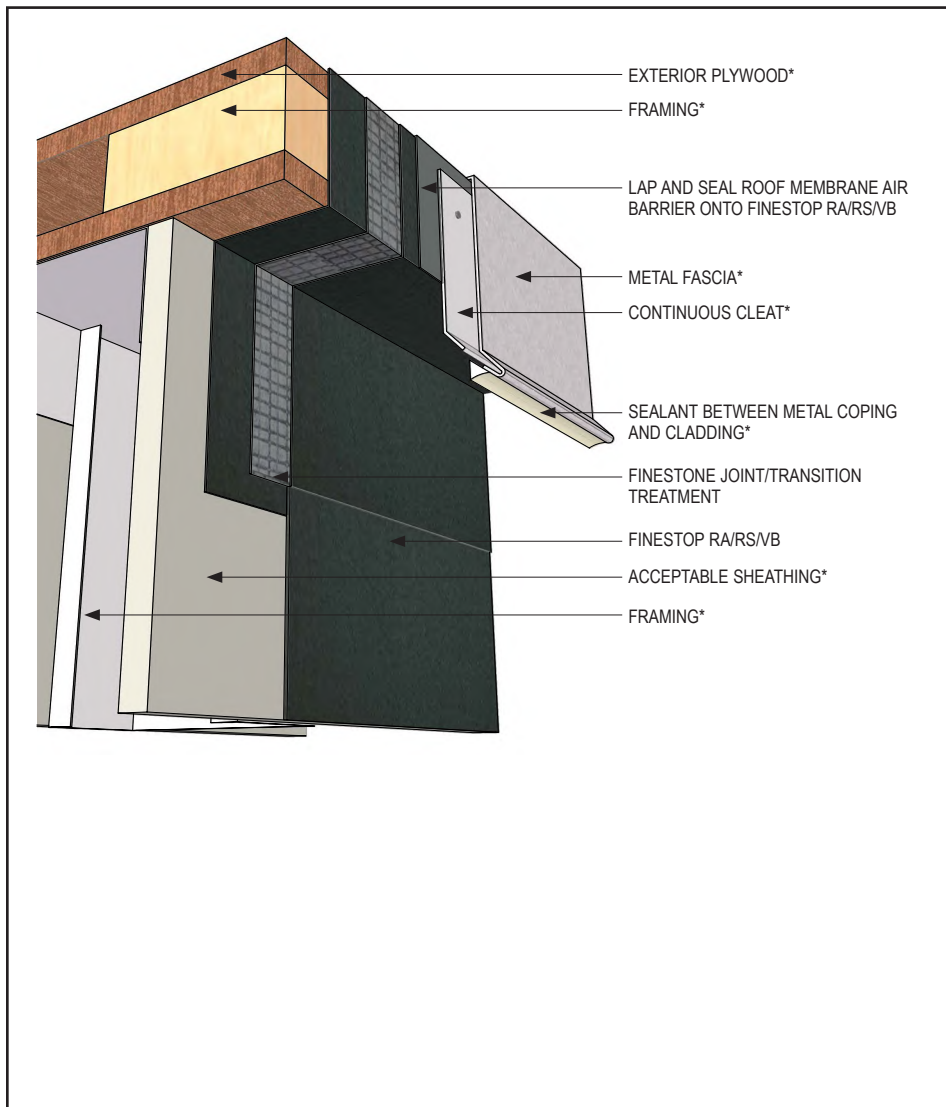
2109

(*NOTE: BY OTHERS)

This detail represents Master Builders Solutions Construction Systems US, LLC (hereinafter Master Builders Solutions) latest recommendations. It is presented in good faith by Master Builders Solutions. The detail is subject to change without notice. Master Builders Solutions accepts no liability for the end use of the detail. For conditions not shown, consult Master Builders Solutions for review of specific detail.

Finestop RA/RS/VB

TYPICAL ROOF EDGE FLASHING



- Install Master Builders Solutions materials in accordance with current installation instructions.
- Unsatisfactory conditions shall be reported to the General Contractor and corrected before the application of Master Builders Solutions products.
- Finestone Joint/Transition Treatment Options: MaxFlash, Sheathing Fabric embedded in Finestop RA/RS/VB or MasterSeal AWB 970 NP.
- Sheathing Fabric, MaxFlash and MasterSeal AWB 970 NP are produced by Master Builders Solutions.
- If MasterSeal AWB 970 NP is used, it must be fully coated with Finestop RA/RS/VB.

AWRB-41

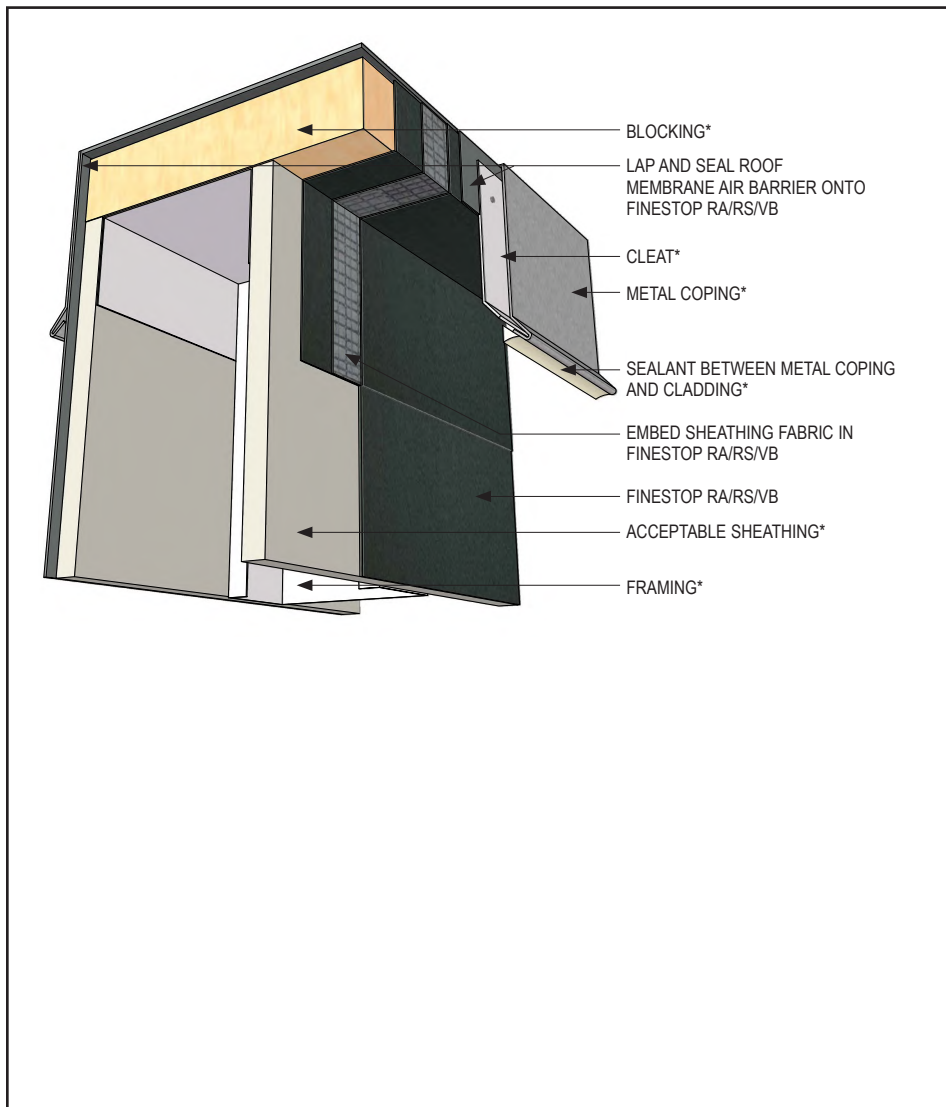
2109

(*NOTE: BY OTHERS)

This detail represents Master Builders Solutions Construction Systems US, LLC (hereinafter Master Builders Solutions) latest recommendations. It is presented in good faith by Master Builders Solutions. The detail is subject to change without notice. Master Builders Solutions accepts no liability for the end use of the detail. For conditions not shown, consult Master Builders Solutions for review of specific detail.

Finestop RA/RS/VB

TYPICAL PARAPET CAP FLASHING



- Install Master Builders Solutions materials in accordance with current installation instructions.
- Unsatisfactory conditions shall be reported to the General Contractor and corrected before the application of Master Builders Solutions products.
- Finestone Joint/Transition Treatment Options: MaxFlash, Sheathing Fabric embedded in Finestop RA/RS/VB or MasterSeal AWB 970 NP.
- Sheathing Fabric, MaxFlash and MasterSeal AWB 970 NP are produced by Master Builders Solutions.
- If MasterSeal AWB 970 NP is used, it must be fully coated with Finestop RA/RS/VB.

AWRB-42

2109

(*NOTE: BY OTHERS)

This detail represents Master Builders Solutions Construction Systems US, LLC (hereinafter Master Builders Solutions) latest recommendations. It is presented in good faith by Master Builders Solutions. The detail is subject to change without notice. Master Builders Solutions accepts no liability for the end use of the detail. For conditions not shown, consult Master Builders Solutions for review of specific detail.

Warranty

Master Builders Solutions Construction Systems US, LLC ("Master Builders") warrants this product to be free from manufacturing defects and to meet the technical properties on the current Technical Data Guide, if used as directed within shelf life. Satisfactory results depend not only on quality products but also upon many factors beyond our control. Master Builders MAKES NO OTHER WARRANTY OR GUARANTEE, EXPRESS OR IMPLIED, INCLUDING WARRANTIES OF MERCHANTABILITY OR FITNESS FOR A PARTICULAR PURPOSE WITH RESPECT TO ITS PRODUCTS. The sole and exclusive remedy of Purchaser for any claim concerning this product, including but not limited to, claims alleging breach of warranty, negligence, strict liability or otherwise, is shipment to purchaser of product equal to the amount of product that fails to meet this warranty or refund of the original purchase price of product that fails to meet this warranty, at the sole option of Master Builders. Any claims concerning this product must be received in writing within one (1) year from the date of shipment and any claims not presented within that period are waived by Purchaser. Master Builders WILL NOT BE RESPONSIBLE FOR ANY SPECIAL, INCIDENTAL, CONSEQUENTIAL (INCLUDING LOST PROFITS) OR PUNITIVE DAMAGES OF ANY KIND.

Purchaser must determine the suitability of the products for the intended use and assumes all risks and liabilities in connection therewith. This information and all further technical advice are based on Master Builders' present knowledge and experience. However, Master Builders assumes no liability for providing such information and advice including the extent to which such information and advice may relate to existing third party intellectual property rights, especially patent rights, nor shall any legal relationship be created by or arise from the provision of such information and advice. Master Builders reserves the right to make any changes according to technological progress or further developments. The Purchaser of the Product(s) must test the product(s) for suitability for the intended application and purpose before proceeding with a full application of the product(s). Performance of the product described herein should be verified by testing and carried out by qualified experts.

For professional use only. Not for sale to or use by the general public.

For the most current version of this literature, please visit our website at finestone-mbcc.sika.com/en.

Master Builders Solutions Construction Systems US, LLC

889 Valley Park Drive, Shakopee, MN 55379
finestone.master-builders-solutions.com/en

Customer Service +1 (800) 433-9517
Technical Service +1 (800) 589-1336