

# MasterSeal® 940/942

Centrally and externally placed PVC Waterstops

## DESCRIPTION

**MasterSeal 940/942** is a range of centrally placed and externally placed PVC Waterstops extruded from high grade PVC compound.

## PRIMARY USES

**MasterSeal 940/942** is designed to provide a complete sealing network for expansion and contraction/ construction joints in water retaining and water excluding in-situ concrete structures. The profiles are supplied in straight lengths to be butt jointed on site. Factory made intersections are available for complex junctions. The use of **MasterSeal 940/942** prevents the passage of water through expansion/ contraction/ construction joints in the following typical structures.

- Canals/ culverts
- Water tanks
- Reservoirs
- Dams
- Sewerage Treatment Plants
- Liquid retaining vessels
- All cast in-situ concrete structures to retain or exclude water

## ADVANTAGES

- Complete range of profiles and sizes to suit all construction requirements.
- Reinforced eyeleted fixing flanges on centrally placed profiles for positive location in joints prevents collapse of profile during concrete placing.
- Simple on-site butt welding.
- Four valve sealing system on all profiles.
- Premoulded intersection/ junction pieces available.

## DESIGN CONSIDERATIONS

PVC Waterstops were originally designed as simple dumbbell profiles which worked on the valve sealing action of the opening joint putting the waterstop in tension, thus sealing the water path. Later designs included multi ribs and fins, in what is known as the tortuous path principal of an extended potential water track created by the ribs and fins.

**MasterSeal 940/942** combines all the accepted and proven principals of PVC Waterstop in four valve and tortuous path design,

together with reinforced eyeleted fixing flanges on all centrally placed profiles plus grout check fins on all construction/ contraction joint profiles.

## TECHNICAL PROPERTIES\*

Form	:	Extruded PVC
Solids content	:	100%
Color	:	Blue
Tensile strength	:	15 N/mm <sup>2</sup>
Elongation at break	:	300%
Shore 'A' Hardness	:	75O – 80O
Toxicity in potable water	:	None
Alkali resistance	:	Pass
Hydrocarbon resistance	:	Pass

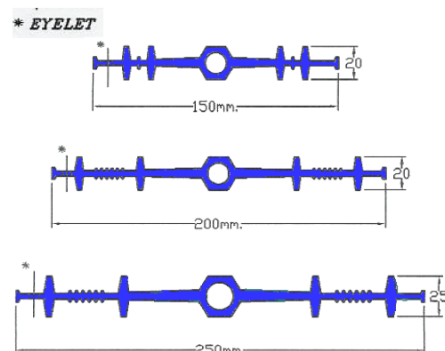
## STANDARDS

- ASTM D 638 : 91 (Tensile/ Elongation)
- US Corps of Engineers CRD-C572-74(Alkali Resistance)
- BS 6920 (Toxicity)

## PROFILES

Centrally placed **MasterSeal 940/942** profiles provide a barrier across all joints in-situ concrete structures by casting the section centrally into the edges of adjacent concrete components. Used in most water retaining and water excluding structures, they are capable of withstanding water pressure from either the internal or external face.

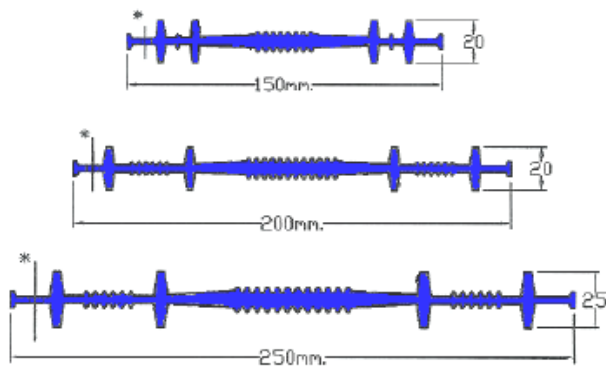
**MasterSeal 940/942** IEJ (Internal Expansion Joints): Expansion bulb sections principally for expansion joints but can be used for construction/ contraction joints. With reinforced eyeleted fixing flanges for wiring the waterstop to surrounding rebar.



# MasterSeal® 940/942

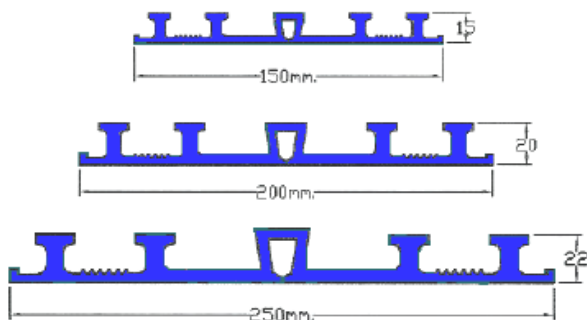
Centrally and externally placed PVC Waterstops

**MasterSeal 940/942 ICJ** (Internal Construction/Contraction Joints): Plain web sections for construction/contraction joints, also with reinforced eyeleted flanges and grout check fins to prevent grout loss from formwork.

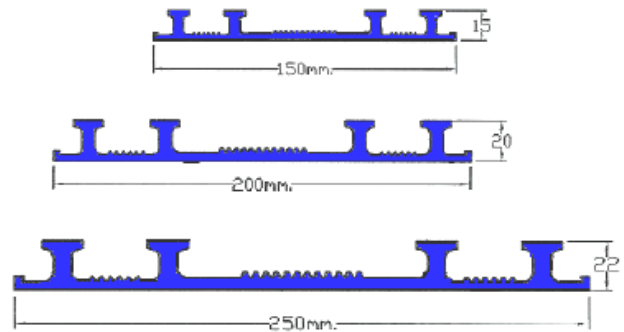


Externally placed **MasterSeal 940/942** profiles are principally designed for basement, foundation and floor slab applications in both vertical and horizontal joints. Each externally placed section incorporates a reinforced railing flange for fixing to the formwork or blinding concrete. The four valves allow good concrete compaction and very secure anchorage into the concrete.

**MasterSeal 940/942 EEJ** (External Expansion Joints): Sections have a flat top, wedged expansion box for positive anchorage and good seating of joint fillers. EEJ sections can also be used in construction/contraction joints. The bottom web in the expansion box is thinned to cater for excessive subsidence or seismic movement should it occur.

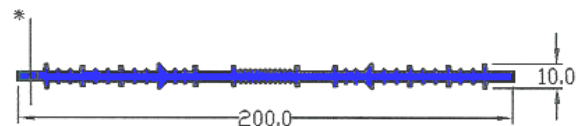


**MasterSeal 940/942 ECJ** (External Construction/Contraction Joints): Sections are plain web incorporating grout check fins to prevent grout loss at formwork.



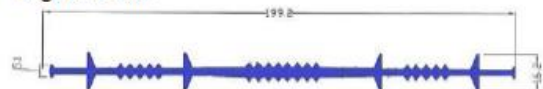
## SPECIAL PROFILES

**MasterSeal 940/942 ICJ/E 200M** is an economic construction/contraction joint profile specifically for use in kicker and contraction joints in small structures such as water tanks cast in-situ manholes, channels etc where there are no expansion joints and wall or slab thicknesses do not exceed 200mm. Includes an eyeleted flange.



MasterSeal 940/942 ICJ is available in thin profiles e.g. ICJ 200T with elongation greater than 220% and tensile strength of greater than 10N/mm<sup>2</sup>.

e.g. ICJ 200T



MasterSeal 940/942 IEJ/ICJ/EEJ/ECJ is available in thin profiles e.g. IEJ 250R2 with elongation greater than 220% and tensile strength of greater than 10N/mm<sup>2</sup>

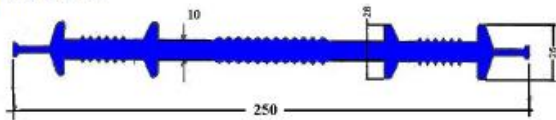
# MasterSeal<sup>®</sup> 940/942

Centrally and externally placed PVC Waterstops

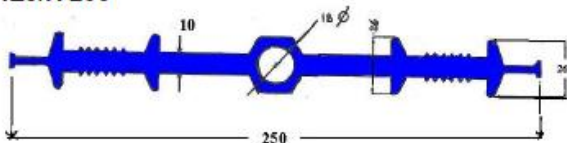
## MasterSeal 940/942 ICJ/X 250 & IEJ/X 250

Are 10mm thick web profiles with 26mm valve heights, for applications where there is high water pressure or head of water in excess of 70meters. Both profiles include reinforced eyeleted fixing flanges and are compatible with **ECJ/ EEJ 250** profiles in an integral network.

ICJ/X 250



IEJ/X 250



**MasterSeal 940/942** is a range of centrally placed and externally placed PVC Waterstops extruded from high grade PVC compound.

## WATERSTOP SELECTION

**MasterSeal 940/942** PVC Waterstops are designed for use within the performance parameters indicated under the headings Technical Data and Typical Properties. Centrally placed profiles (ICJ & IEJ) are usually located midway in the slab or wall thickness across the joints in concrete structures. They will equally prevent the passage of water through the joint from either face. They are particularly suited to water retaining structures and in walls and slabs where pressure differential may occur such as in reservoir walls. They are equally appropriate for joints in suspended slabs, vertical wall joints and lift joints.

Externally placed profiles (ECJ & EEJ) are of particular advantage for their ease of installation in basement and foundation applications in situations where they are firmly supported against back pressure, i.e. in water retaining structures (base slab) where they are placed on the blinding concrete.

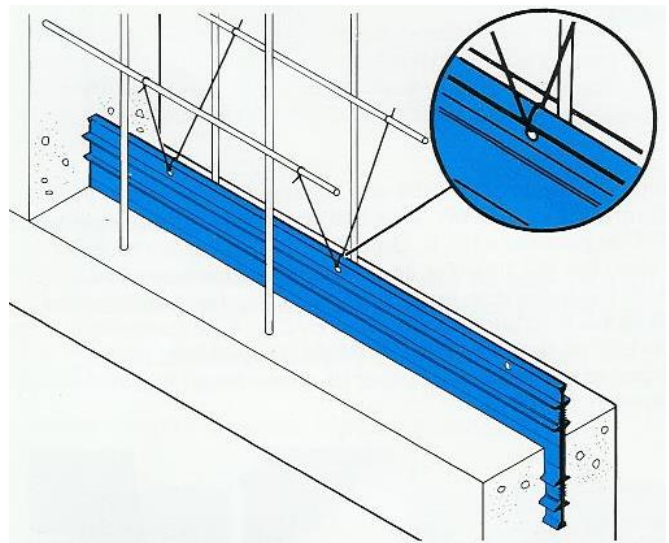
## SIZE OF WATERSTOP

The choice of width of profile is mainly governed by slab/ wall thickness, position of reinforcing steel and aggregate size. As a general rule, the 250mm width profiles are appropriate for slab/ wall thickness over 250mm, allowing good compaction and width of barrier to water penetration. For concrete members less than 250 mm the use of a smaller profile approximating to the actual slab or wall thickness will be appropriate.

## INSTALLATION

**MasterSeal 940/942** ICJ & IEJ profiles must be installed so they are securely held in the correct position whilst the concrete is poured. The concrete must be fully and properly compacted around the waterstops (the use of Master Builders Solutions's Rheodynamic admixtures to produce self compacting concrete is of great advantage to avoid voids or porous areas after concrete placing). Where reinforcement is present, an adequate clearance must be left between this and all waterstops to permit proper compaction of the concrete.

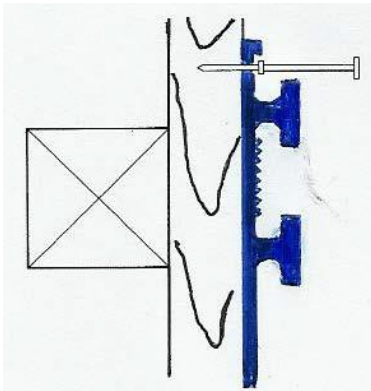
The eyelets in the reinforced flanges of the ICJ and IEJ profiles allow them to be wired to the surrounding reinforcing steel. The eyelets are an integral part of the profiles and being placed outside the outer valves, cannot create a water path around the profile or impair the efficiency in performance in any way. See typical detail below.



# MasterSeal® 940/942

## Centrally and externally placed PVC Waterstops

**MasterSeal 940/942** ECJ & EEJ profiles when used on ground slab blinding concrete where a permanent, firm and stable support is given, usually require no fixing. The profile is simply laid centrally over the line of the joint to be formed. Fixing to vertical shuttering is simplified by nailing with double headed nails through the outer reinforced flange to provide a firm fixing as shown below.



### EQUIPMENT

Heat welding equipment is available to enable site jointing to be carried out efficiently. Jointing jigs ensure that the mating surfaces of the waterstop are accurately aligned while the heater blade heats the waterstop to the necessary temperature for jointing.

### JOINTING JIGS

150mm **MasterSeal 940/942** EEJ/ ECJ  
 200mm **MasterSeal 940/942** EEJ/ ECJ  
 250mm **MasterSeal 940/942** EEJ/ ECJ  
 150mm **MasterSeal 940/942** IEJ/ ICJ  
 200mm **MasterSeal 940/942** IEJ/ ICJ/ ICJ/ E  
 250mm **MasterSeal 940/942** IEJ/ ICJ/ ICJ/X, IEJ/X  
 220 Volt Electric Heater Blades for use with all jigs.

### SITE JOINTING INSTRUCTIONS

Reliable jointing of **MasterSeal 940/942** waterstops can be carried out rapidly onsite with **MasterSeal 940/942** heat welding equipment. Complete welding kits, comprising simple jigs and electric blades, are available and provide all that is needed to make tough joints between all PVC waterstop sections, Note that when ordering **MasterSeal 940/942** equipment, both the type and width of waterstop must be stated.

### HEAT WELDING OF WATERSTOPS

Make sure that the heater blade is clean, plug it into the correct voltage electricity supply and leave in a safe position to warm up.

Ensure that the ends of the waterstop to be jointed are of the same width and profile, clean them with water or **MasterTop** Solvent no. 2 and dry them.

Clamp them in the correct profile slots of the jig provided and cut both ends off square with a sharp knife, flush with the faces of the jig.

Note: An allowance must be made for waste and for the 5 to 10mm that will be taken up by melting when calculating the length of waterstop required. Loosen the jig and slide them back so that approximately 10mm of each waterstop end projects and then clamp the jig tightly in position.

Position the heater blade on the bars between the jig and slide them together until the waterstop ends are pressed firmly against the sides of the blade. The PVC should melt without burning or charring. Hold the jig firmly in position until a bead of molten PVC approximately 3mm in diameter appears along either side of the heater blade.

Slide the jig apart a little and remove the heater blade with an upward movement. This will ensure that it takes as little PVC as possible with it. Quickly joint the molten ends by sliding the jig together and exerting pressure. approximately 20 seconds to allow the molten PVC to fuse completely. Switch off the heater blade. While it is still hot, clean thoroughly with emery paper or a wire brush ready for the next joint. Unclamp the jig and carefully remove the waterstop. Do not flex the joint until it has cooled. The joint is now complete. When cold, test it by flexing the waterstop several times.

### INTERSECTION PIECES

Standard factory produced welded and moulded intersections are available for all **MasterSeal 940/942** profiles as detailed below.

# MasterSeal<sup>®</sup> 940/942

Centrally and externally placed PVC Waterstops

## INTERSECTIONS FOR IEJ/ICJ ; IEJ/X ; ICJ/X PROFILES

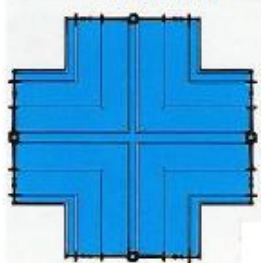
Flat Mitre



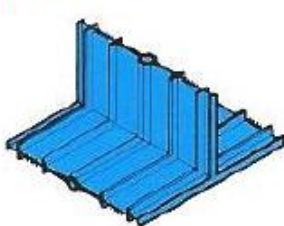
Flat 3 Way



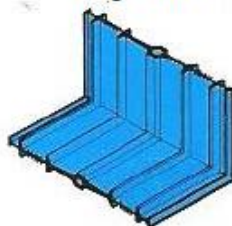
Flat 4 Way



T Piece

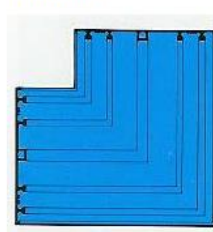


Edge Mitre

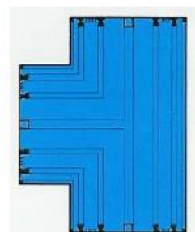


## INTERSECTIONS FOR EEJ / ECJ PROFILES

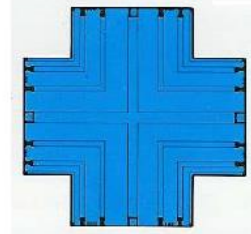
Flat Mitre



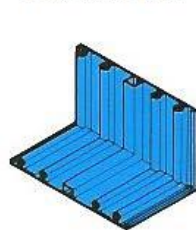
Flat 3 Way



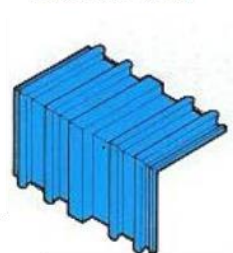
Flat 4 Way



Edge Mitre (Int)



Edge Mitre (Ext)

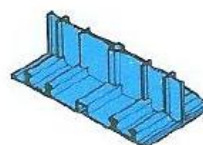


## COMPOSITE INTERSECTIONS

These are required when a change from horizontal to vertical occurs in the same type of joint ie from slab expansion to wall expansion joint or slab contraction to wall contraction joint

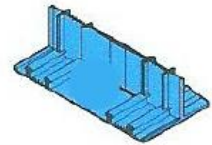
EEJ to IEJ / IEJ X

T-Piece



ECJ to ICJ / ICJ X

T-Piece



# MasterSeal<sup>®</sup> 940/942

## Centrally and externally placed PVC Waterstops

If a composite edge mitre is needed, simply cut off one of the horizontal legs.

### HEALTH AND SAFETY

Hot welding of PVC produces hydrochloric acid fumes, which in confined spaces may exceed the minimum TLV of 5 ppm. Therefore forced ventilation must be provided or a suitable respirator used .

In open site applications, it is not considered that any health dangers exists.

### NOTE

Field service, where provided, does not constitute supervisory responsibility. For additional information contact your local Master Builders Solutions representative.

Master Builders Solutions reserves the right to have the true cause of any difficulty determined by accepted test methods.

### QUALITY AND CARE

All Master Builders Solutions Products are manufactured under a management system independently certified to conform to the requirements of the quality, environmental and occupational health and safety standards of ISO 9001 and Master Builders Solutions ESHQ recommendations.

\* Properties listed are based on laboratory controlled tests.

® = Registered trademark of the MBCC-Group in many countries

### CONTACT

Should you require any further information, please do not hesitate to contact us:

[www.master-builders-solutions.com/en-sa](http://www.master-builders-solutions.com/en-sa)  
[enquirycc.saudi@mbcc-group.com](mailto:enquirycc.saudi@mbcc-group.com)  
M: +966 13 853 8600

Master Builders Solutions Saudi Arabia for Manufacturing LLC.  
P.O. Box 1884, Al Khobar, KSA

#### STATEMENT OF RESPONSIBILITY

The technical information and application advice given in this Master Builders Solutions publication are based on the present state of our best scientific and practical knowledge. As the information herein is of a general nature, no assumption can be made as to a product's suitability for a particular use or application and no warranty as to its accuracy, reliability or completeness either expressed or implied is given other than those required by law. The user is responsible for checking the suitability of products for their intended use.

#### Disclaimer:

In view of widely varying site conditions and fields of application of our products, this technical data sheet is meant to provide general application guidelines only. This information is based on our present knowledge and experience. The customer is not released from the obligation to conduct careful testing of suitability and possible application for the intended use. The customer is obliged to contact the technical help-line for fields of application not expressly stated in the technical data sheet under "Fields of Application". Use of the product beyond the fields of application as stated in the technical data sheet without previous consultation with Master Builders Solutions and possible resulting damages are in the sole responsibility of the customer.

All descriptions, drawings, photographs, data, ratios, weights i.e. stated herein can be changed without advance notice and do not represent the condition of the product as stipulated by contract. It is the sole responsibility of the recipient of our products to observe possible proprietary rights as well as existing laws and provisions. The reference of trade names of other companies is no recommendation and does not exclude the use of products of similar type. Our information only describes the quality of our products and services and is no warranty. Liability is accepted for incomplete or incorrect particulars in our data sheets only in the event of intent or gross negligence, without prejudice to claims under product liability laws.