

MasterSeal[®] 952

PVC washer for fixing tunneling and vertical PVC waterproofing membranes

DESCRIPTION

MasterSeal 952 finishing element for synthetic liners made of polyvinyl chloride; this temporarily supports the waterproof liner during installation.

SCOPE

Tunnel PVC washers are designed to fix, at first, the protection and drainage felt or geocomposite to the primary lining of the tunnel. Once the washers are nailed to the primary lining, it is possible to weld the waterproofing membrane onto them by the means of hot air hand welders.

TYPICAL APPLICATIONS

MasterSeal 952 can be used in the following circumstances:

- Vertical fixing of drainage liners and membranes.
- Used for tunneling and underground structures.

ADVANTAGES

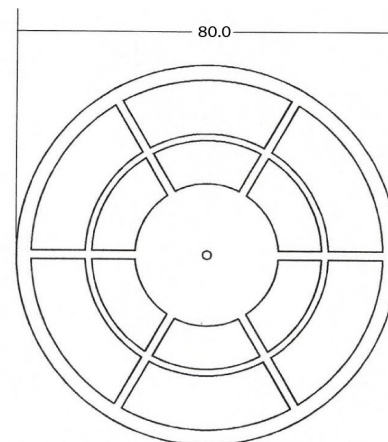
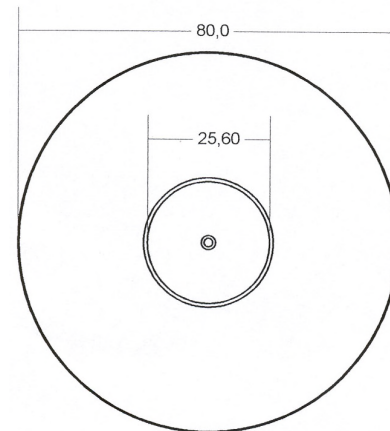
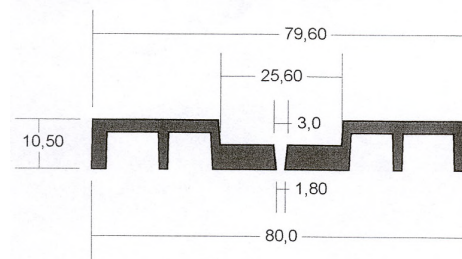
- Flexibility to low temperatures
- High mechanical properties and resistance to puncturing
- Excellent weldability
- Long life expectancy

FIXING

The fixing of the washers is obtained by shooting nails of the necessary type and dimensions

COMPATIBILITY

They are compatible with synthetic waterproofing PVC membranes.



MasterSeal[®] 952

TYPICAL PROPERTIES*

	Specific Weight	Hardness Shore A	Tear Resistance	Elongation at break	Tensile strength	Cold Flex
Test Method	ASTM D792	ASTM D2240	ASTM D624	ASTM D638	ASTM D638	ASTM D1043
Applications: PVC Washer for vertical fixing of membranes	Kg/dm ³ 1,29 ± 0.02	Sh A 65 - 70	KN/m 41	% 400	Mpa 14.1	°C -41

QUALITY AND CARE

All products originating from Master Builders Solutions Dubai, UAE facility are manufactured under a management system independently certified to conform to the requirements of the quality, environmental and occupational Health & Safety standards ISO 9001 and ISO 14001.

* Properties listed are based on laboratory controlled tests.

® = Registered trademark of the MBCC Group in many countries.

MBS_CC-UAE/SI_952_10_04/v2/09_15

STATEMENT OF RESPONSIBILITY

The technical information and application advice given in this Master Builders Solutions publication are based on the present state of our best scientific and practical knowledge. As the information herein is of a general nature, no assumption can be made as to a product's suitability for a particular use or application and no warranty as to its accuracy, reliability or completeness either expressed or implied is given other than those required by law. The user is responsible for checking the suitability of products for their intended use.

NOTE

Field service where provided does not constitute supervisory responsibility. Suggestions made by Master Builders Solutions either orally or in writing may be followed, modified or rejected by the owner, engineer or contractor since they, and not Master Builders Solutions, are responsible for carrying out procedures appropriate to a specific application.

Master Builders Solutions
Construction Chemicals LLC
P.O. Box 37127, Dubai, UAE
Tel: +971 4 8090800
www.master-builders-solutions.com/en-ae

Disclaimer: the TUV mark relates to certified management system and not to the product mentioned on this datasheet



A brand of
MBCC GROUP